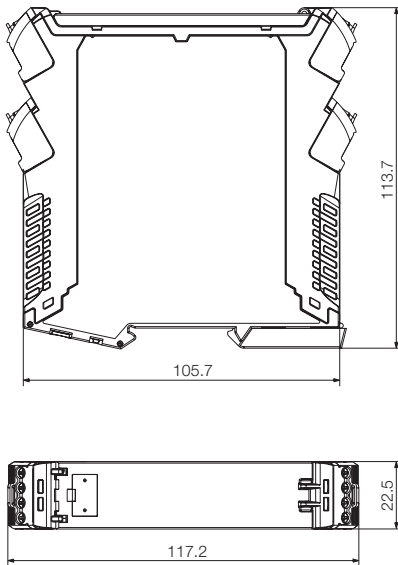


ACT20X/ACT20P – Accessories

ACT20X/ACT20P



Dimensions in mm

Connection terminals

Colour of housing	Release lever colour	Print	Print colour	Type	Order No.	
black	blue	65/66/67/68	white	BHZ 5.00/04/90LH BK/BL PRT 65	1086480000	
		55/56/57/58	white	BHZ 5.00/04/90LH BK/BL PRT 55	1086470000	
		45/46/47/48	white	BHZ 5.00/04/90LH BK/BL PRT 45	1086460000	
		61/62/63/64	white	BHZ 5.00/04/90LH BK/BL PRT 61	1086420000	
		51/52/53/54	white	BHZ 5.00/04/90LH BK/BL PRT 51	1086410000	
		41/42/43/44	white	BHZ 5.00/04/90LH BK/BL PRT 41	1086400000	
	black	black	65/66/67/68	white	BHZ 5.00/04/90LH BK/BK PRT 65	1086240000
			55/56/57/58	white	BHZ 5.00/04/90LH BK/BK PRT 55	1086230000
			45/46/47/48	white	BHZ 5.00/04/90LH BK/BK PRT 45	1086220000
			61/62/63/64	white	BHZ 5.00/04/90LH BK/BK PRT 61	1086180000
			51/52/53/54	white	BHZ 5.00/04/90LH BK/BK PRT 51	1086170000
			41/42/43/44	white	BHZ 5.00/04/90LH BK/BK PRT 41	1086160000
black	blue	35/36/37/38	white	BHZ 5.00/04/90LH BK/BL PRT 35	1086450000	
		25/26/27/28	white	BHZ 5.00/04/90LH BK/BL PRT 25	1086440000	
		15/16/17/18	white	BHZ 5.00/04/90LH BK/BL PRT 15	1086430000	
		31/32/33/34	white	BHZ 5.00/04/90LH BK/BL PRT 31	1086390000	
		21/22/23/24	white	BHZ 5.00/04/90LH BK/BL PRT 21	1086380000	
		11/12/13/14	white	BHZ 5.00/04/90LH BK/BL PRT 11	1086370000	
	black	black	35/36/37/38	white	BHZ 5.00/04/90LH BK/BK PRT 35	1086210000
			25/26/27/28	white	BHZ 5.00/04/90LH BK/BK PRT 25	1086200000
			15/16/17/18	white	BHZ 5.00/04/90LH BK/BK PRT 15	1086190000
			31/32/33/34	white	BHZ 5.00/04/90LH BK/BK PRT 31	1086150000
			21/22/23/24	white	BHZ 5.00/04/90LH BK/BK PRT 21	1086140000
			11/12/13/14	white	BHZ 5.00/04/90LH BK/BK PRT 11	1086130000

Cold-junction compensation terminals (optional for the ACT20X temperature modules)

(1-channel)					
black	blue	11/12/13/14	white		1160640000
(2-channel)					
black	blue	11/12/13/14	white		1160650000

Markers

Type	Version	Dimensions	Qty.	Order No.
ESG 66/20BHZ500/04	Individual markers	6.6 x 20 mm	200	1082540000
ESG 8/13.5/43.3 SAI AV	MultiCard (24 individual markers per MultiCard)	8 x 13.5 mm	5	1912130000