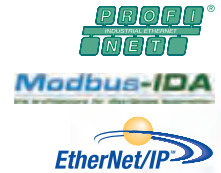
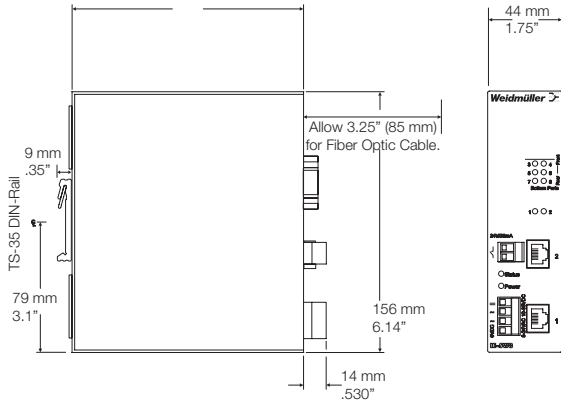


Unmanaged switch, Advanced Line, 8-24 ports

- Multi-mode or single-mode



Unmanaged switch, Advanced Line, 8-24 ports

In its robust aluminium housing, the AdvancedLine is only 45mm wide. It comes with between 8 and 24 ports for your Industrial Ethernet network. With their IP 20 class of protection and operating temperature range of -40°C to +75°C, these switches are ideal for industrial applications.

The optional multimode FO ports with SC or ST plugs ensure noise-free transmissions over distances of up to 2 km, or up to 20 km in the single-mode form with SC plugs.

Functions such as auto-negotiation and auto-crossing are fully supported. In addition, the Weidmüller Advanced Line includes a redundant power supply.

The error relay is used for monitoring the switch status. When the switch is turned off, the relay is opened and remains opened until a sufficient voltage is applied to each of the operating voltage inputs. Only then is the relay closed. If the voltage sinks below the allowed limit while the switch is running, the relay is opened again.

Ordering data

Number of ports	Type	Order No.
24x RJ45	IE-SW24-ADVANCED	8808300000
6 x RJ45, 2 x SC multi-mode	IE-SW6/2SC-ADVANCED	8942450000
6 x RJ45, 2 x SC single-mode	IE-SW6/2SCS-ADVANCED	8942470000
6 x RJ45, 2 x ST multi-mode	IE-SW6/2ST-ADVANCED	8942460000
8 x RJ45	IE-SW8-ADVANCED	8942440000
14 x RJ45, 2 x SC multi-mode	IE-SW14/2SC-ADVANCED	8808280000
14 x RJ45, 2 x SC single-mode	IE-SW14/2SCS-ADVANCED	8851880000
14 x RJ45, 2 x ST multi-mode	IE-SW14/2ST-ADVANCED	8808290000
16x RJ45	IE-SW16-ADVANCED	8808270000
22 x RJ45, 2 x SC multi-mode	IE-SW22/2SC-ADVANCED	8808310000
22 x RJ45, 2 x SC single-mode	IE-SW22/2SCS-ADVANCED	8851890000
22 x RJ45, 2 x ST multi-mode	IE-SW22/2ST-ADVANCED	8808320000
Singlemode design up to 120 km on request		

Accessories

Type	Order No.
RJ45 dust-protection plug	IE-DPC
Note	Cables and connection elements are found starting at Chapter C.

Technical data

Housing	Aluminium
Length / Width / Height	140 mm / 45 mm / 156 mm
AC input voltage, min.-max.	8-24 V AC
DC input voltage, min.-max.	10-36 V DC
AC input power / DC	20 VA AC / 20 Watt DC
Input frequency	47 - 63 Hz
Operating temperature, min.-max.	-40 °C-75 °C
Storage temperature, min.-max.	-40 °C-85 °C
Installation	TS 35, wall
Protection class	IP 20
Standard	IEEE 802.3; 802.3u; 802.3x; Class I, Division 2
Data rate	10BASE-T/100BASE-TX
Segment length	Copper 100 m; fibre (multimode) 2 km; fibre (singlemode) 20 km
Functionality	Autonegotiation, Autocrossing, redundant voltage supply, fault relay
Flow control	half-duplex/full duplex
Status indication	Data rate, Power, Connection/Activity
Approvals	cULus, CE, EN55024, EN 55022, Gost R, GL
Optical budget	8 dB for 62.5/125 µm multimode cable 4 dB for 50/125 µm multimode cable 13 dB for 9/125 µm singlemode cable
Supported protocols	Profinet RT, Modbus TCP, TCP/IP, Ethernet/IP
Fault relay	24V DC / 30mA - only resistive loads

Note:



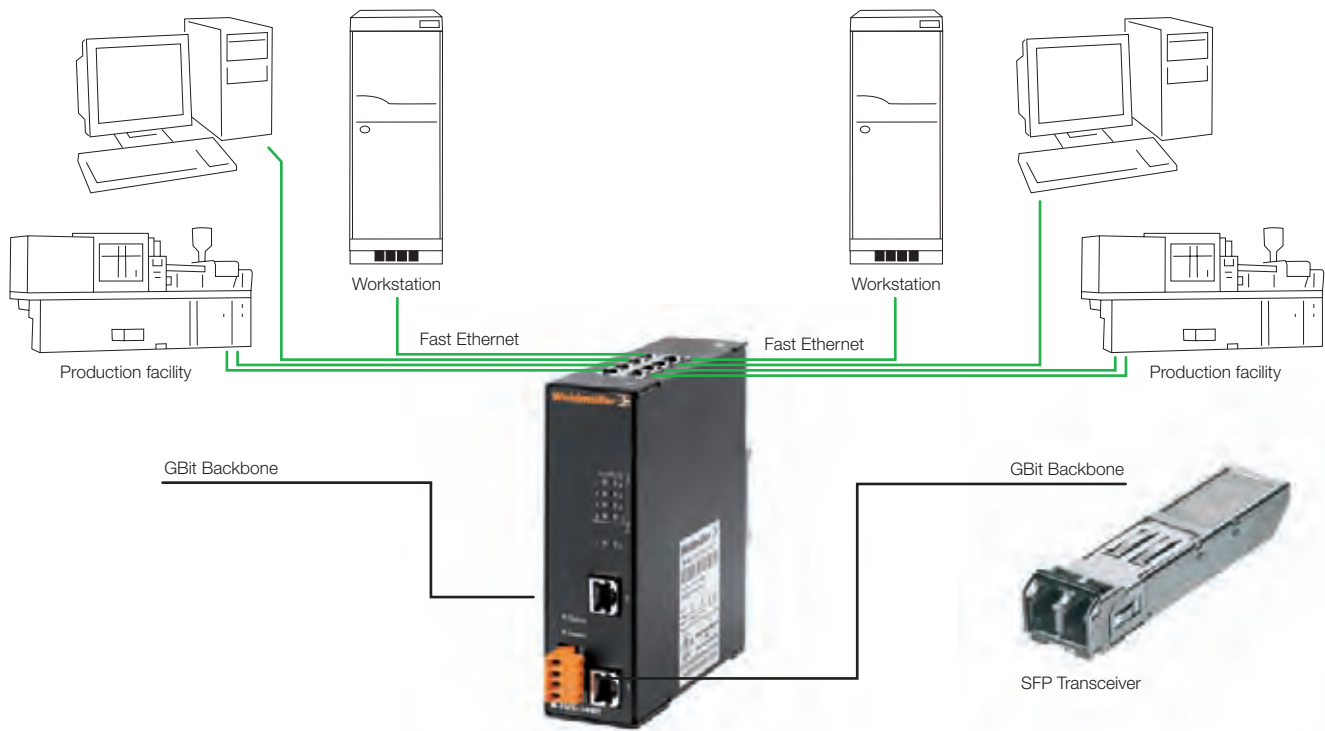
Gigabit switches for network with large volumes of data

Weidmüller's new gigabit-capable generation of switches feature a secure connection in large data-volume environments.

Gigabit backbones are becoming the standard for industrial networks. Weidmüller's new gigabit-capable generation of switches enable a secure connection for Fast Ethernet machine networks to gigabit backbones. The switches feature two gigabit-capable uplinks suitable for both star and linear topologies.

Here, the two-gigabit SFP (small form-factor pluggable) slots offer optimal flexibility. Weidmüller offers a wide variety of pluggable SFP transceivers with LC plugging systems. These range from single-mode versions with a 2-km range to multi-mode solutions with a 120-km maximum cable-length range.

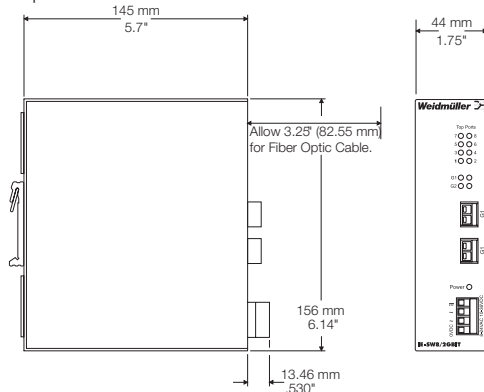
When you are using fibre transceivers, SFPs offer you the maximum in flexibility.



Ordering data	1068240000	1068250000	1068270000	1068280000	1068290000	1068310000	1069320000
SFP transceiver							
Part designation	IE-SFP-FE-1310-MM	IE-SFP-FE-1310-SM20	IE-SFP-FE-1310-SM40	IE-SFP-1G-850-MM	IE-SFP-1G-1310-SM10	IE-SFP-1G-1310-SM40	IE-SFP-1G-RJ45-100
Dimensions, mm	13.7 x 56.5 x 8.5	13.7 x 56.5 x 8.5	13.7 x 56.5 x 8.5	13,7 x 56,5 x 8,5	13.7 x 56.5 x 8.5	13.7 x 56.5 x 8.5	13.27 x 70.2 x 8.5
Connector	Duplex LC connector	Duplex LC connector	Duplex LC connector	Duplex LC connector	Duplex LC connector	Duplex LC connector	RJ45 connector
Data rate	125Mbit/s	125Mbit/s	125Mbit/s	1.25 Gbit/s	1.25 Gbit/s	1.25 Gbit/s	1.25 Gbit/s
Data transmission	100 Mbit	100 Mbit	100 Mbit	1 Gbit	1 Gbit	1 Gbit	1 Gbit
Wave length	1310 nm	1310 nm	1310 nm	850 nm	1310 nm	1310 nm	no
Power supply	3.3 V	3.3 V	3.3 V	3.3 V	3.3 V	3.3 V	3.3 V
Range of coverage	2 km	20 km	40 km	550 m at 50/125 µm, 275 m at 62.5/125 µm	10 km	40 km	100 m
Operating temperature	-40 °C to +85 °C	-40 °C to +85 °C	-40 °C to +85 °C	-40 °C to +85 °C	-40 °C to +85 °C	-40 °C to +85 °C	0 °C to +70 °C
Cable type	Multimode	Singlemode	Singlemode	Multimode	Singlemode	Singlemode	Copper
Wiring type	Ethernet 100Base FX	Ethernet 100Base FX	Ethernet 100Base FX	Gigabit Ethernet at 1.25 Gbps	Gigabit Ethernet at 1.25 Gbps	Gigabit Ethernet at 1.25 Gbps	Ethernet 1000Base-T

Unmanaged switch, Advanced Line Gigabit

- Sturdy aluminium housing
- 2 Gigabit ports



Unmanaged switch, Advanced Line Gigabit

With a sturdy aluminium housing, the AdvancedLine features a width of only 45 mm as well as 2 Gigabit ports for your Industrial Ethernet network. With their IP 20 class of protection and operating temperature range of -40°C to +75°C, these switches are ideal for industrial applications.

The two Gigabit-compliant ports are available as RJ45, SC or SFP.

Functions such as auto-negotiation and auto-crossing are fully supported. In addition, the Weidmüller Advanced Line includes a redundant power supply.



Ordering data

Number of ports	Type	Order No.
8 x RJ45, 2 x RJ45 GBIT	IE-SW8/2GBIT-ADVANCED	8961230000
8 x RJ45, 2 x SC multi-mode	IE-SW8/2GBITSC-ADVANCED	8966140000
8 x RJ45, 2 x SFP	IE-SW8/2GBIT-SFP-AD	8975450000

Accessories

Type	Order No.
RJ45 dust-protection plug	IE-DPC 8813490000

Note
Cables and connection elements are found starting at Chapter C.

Technical data

Housing	Aluminium
Length / Width / Height	140 mm / 45 mm / 156 mm
AC input voltage, min.-max.	8-24 V AC
DC input voltage, min.-max.	10-36 V DC
AC input power / DC	20 VA AC / 20 Watt DC
Input frequency	47 - 63 Hz
Operating temperature, min.-max.	-40 °C-75 °C
Storage temperature, min.-max.	-40 °C-85 °C
Installation	TS35; Wall
Protection class	IP 20
Standard	IEEE 802.3; 802.3u; 802.3x
Data rate	10BASE-T/100BASE-TX
Segment length	Copper, 100 m; fibre (multi-mode) 2 km
Functionality	Auto-negotiation, auto-crossing, redundant power supply
Flow control	half-duplex/full duplex
Status indication	Data rate, Power, Connection/Activity
Approvals	cULus, CE, EN55024, EN 55022, Gost R
Optical budget	8 dB for 62.5/125 µm multimode cable 4 dB for 50/125 µm multimode cable 13 dB for 9/125 µm singlemode cable
Aging	300 s
Supported protocols	Profinet RT, Modbus TCP, TCP/IP, Ethernet/IP

Note:

Weidmüller