

For 4-channel analogue I/O cards

RS AIO-DP - 4-channel

Common distribution  
Version: screw connection

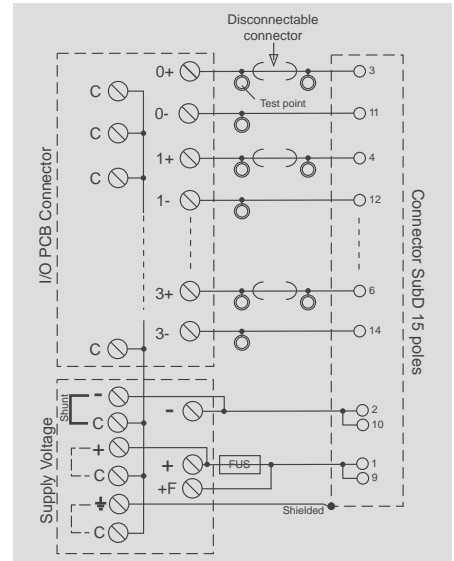
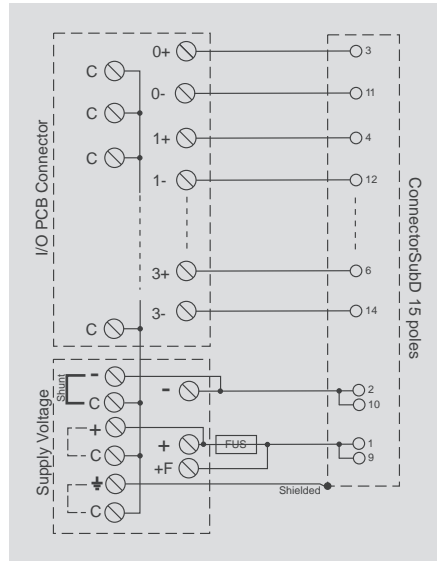
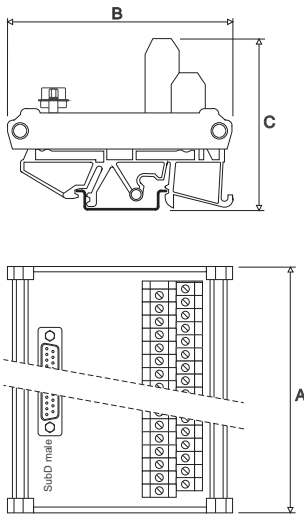


RS AIO/I-M-DP - 4-channel

Common distribution, disconnection and test  
Version: screw connection



Dimensions



Technical data

Connection	
Connection to PLC	
Connection type V (screw clamp) Flexible/Solid	
Connection type Z (tension clamp) Flexible/Solid	
Input-Output Data	
Number of channels	4
Operating voltage	≤ 25 V AC 50 V DC
Common distribution	Shield, + or - (selectable with jumper)
PLC card supply current fuse	3.15 A
Disconnection	-
Current measuring test point	-
Voltage measuring test point	-
Continuous shielding	Yes
Insulation coordination (EN50178)	
Rated voltage	< 50 V AC
Overvoltage category	III
Pollution degree	2
Insulation test voltage	0.5 KV DC
Ambient temperature	-25...50 °C
Storage temperature	-40...60 °C

15-pole D-SUB male connector	
0.5...4 mm <sup>2</sup> / 0.5...6 mm <sup>2</sup> (AWG 26...12)	
-	
4	
≤ 25 V AC 50 V DC	
Shield, + or - (selectable with jumper)	
3.15 A	
-	
-	
-	
Yes	
< 50 V AC	
III	
2	
0.5 KV DC	
-25...50 °C	
-40...60 °C	

15-pole D-SUB male connector	
0.5...4 mm <sup>2</sup> / 0.5...6 mm <sup>2</sup> (AWG 26...12)	
-	
4	
≤ 25 V AC 50 V DC	
Shield, + or - (selectable with jumper)	
3.15 A	
Yes - each channel	
Yes - 2 female testing points dia. 4 mm	
Yes	
Yes	
< 50 V AC	
III	
2	
0.5 KV DC	
-25...50 °C	
-40...60 °C	

Dimensions	
Length A x width B x height C	mm

75 x 87.5 x 72
----------------

73 x 109 x 81
---------------

Note	
------	--

Ordering data

Screw connection	
Tension clamp connection	
Note	

Type	Order No.
RS4AIO-DP SD/V	944800000
Note	

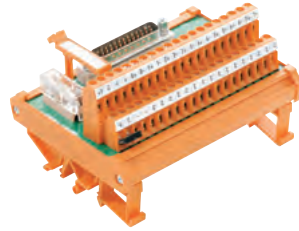
Type	Order No.
RS4AIO/I-M-DP SD/V	944810000
Note	

Input / output for analogue cards

For 8-channel analogue I/O cards

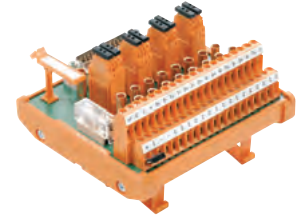
RS AIO-DP - 8-channel

Common distribution  
Version: screw connection

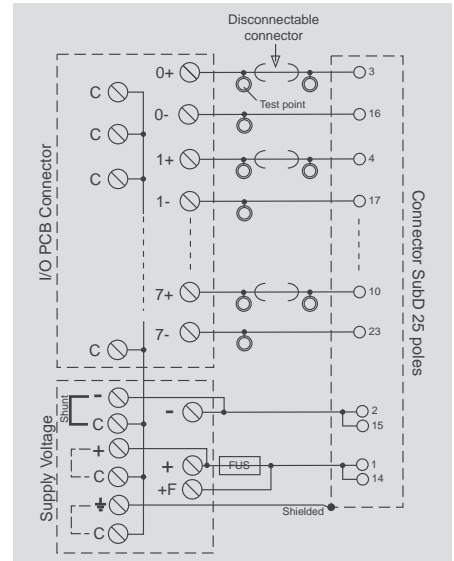
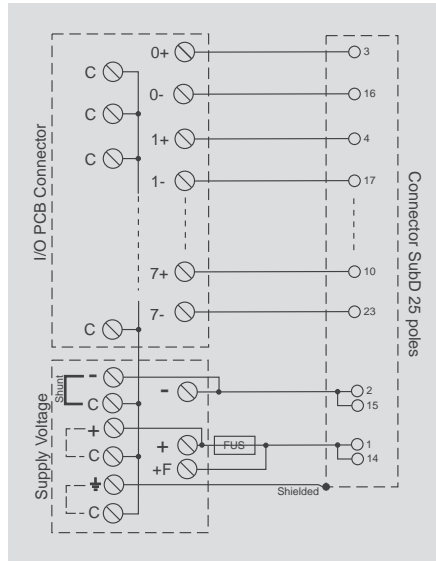
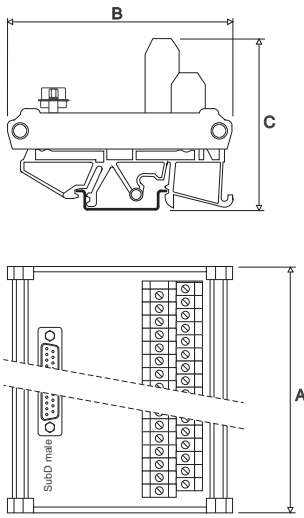


RS AIO/I-M-DP - 8-channel

Common distribution, disconnection and test  
Versions: screw / tension clamp



Dimensions



Technical data

<b>Connection</b>	
Connection to PLC	
Connection type V (screw clamp) Flexible/Solid	
Connection type Z (tension clamp) Flexible/Solid	
<b>Input-Output Data</b>	
Number of channels	8
Operating voltage	≤ 25 V AC 50 V DC
Common distribution	Shield, + or – (selectable with jumper)
PLC card supply current fuse	3.15 A
Disconnection	–
Current measuring test point	–
Voltage measuring test point	–
Continuous shielding	Yes
<b>Insulation coordination (EN50178)</b>	
Rated voltage	< 50 V AC
Overvoltage category	III
Pollution degree	2
Insulation test voltage	0.5 KV DC
Ambient temperature	-25...50 °C
Storage temperature	-40...60 °C

<b>Connection</b>	
25-pole D-SUB male connector	
0.5...4 mm <sup>2</sup> / 0.5...6 mm <sup>2</sup> (AWG 26...12)	
<b>Input-Output Data</b>	
Number of channels	8
Operating voltage	≤ 25 V AC 50 V DC
Common distribution	Shield, + or – (selectable with jumper)
PLC card supply current fuse	3.15 A
Disconnection	–
Current measuring test point	–
Voltage measuring test point	–
Continuous shielding	Yes
<b>Insulation coordination (EN50178)</b>	
Rated voltage	< 50 V AC
Overvoltage category	III
Pollution degree	2
Insulation test voltage	0.5 KV DC
Ambient temperature	-25...50 °C
Storage temperature	-40...60 °C

<b>Connection</b>	
25-pole D-SUB male connector	
0.5...4 mm <sup>2</sup> / 0.5...6 mm <sup>2</sup> (AWG 26...12)	
0.2...1.5 mm <sup>2</sup> / 0.2...2.5 mm <sup>2</sup> (AWG 24...14)	
<b>Input-Output Data</b>	
Number of channels	8
Operating voltage	≤ 25 V AC 50 V DC
Common distribution	Shield, + or – (selectable with jumper)
PLC card supply current fuse	3.15 A
Disconnection	Yes - each channel
Current measuring test point	Yes - 2 female testing points dia. 4 mm
Voltage measuring test point	Yes - 2 female testing points dia. 4 mm
Continuous shielding	Yes
<b>Insulation coordination (EN50178)</b>	
Rated voltage	< 50 V AC
Overvoltage category	III
Pollution degree	2
Insulation test voltage	0.5 KV DC
Ambient temperature	-25...50 °C
Storage temperature	-40...60 °C

<b>Dimensions</b>	
Length A x width B x height C	mm

117 x 87.5 x 72
-----------------

114 x 109 x 81
----------------

<b>Note</b>	
-------------	--

Ordering data

Screw connection	
Tension clamp connection	
<b>Note</b>	

Type	Order No.
RS8AIO-DP SD/V	9448010000

Type	Order No.
RS8AIO/I-M-DP SD/V	9448110000
RS8AIO/I-M-DP SD/Z	9449110000

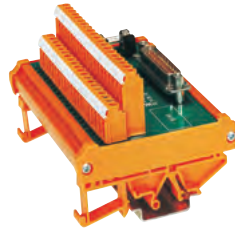


Input / output for analogue cards

For 16-channel analogue I/O cards

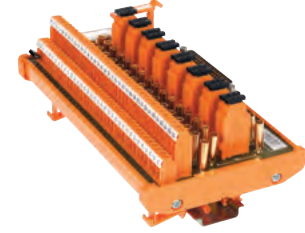
RS AIO-DP - 16-channel

Common distribution  
Version: screw connection

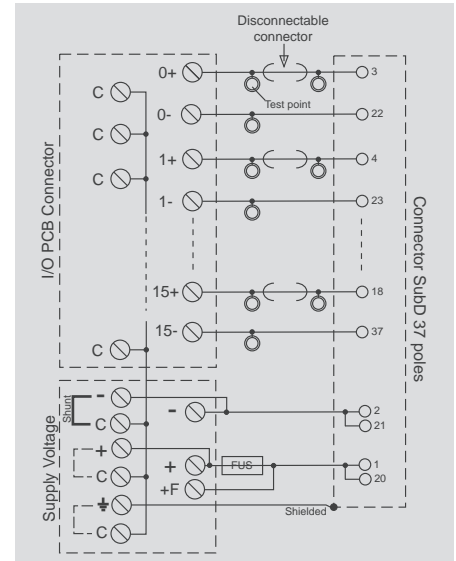
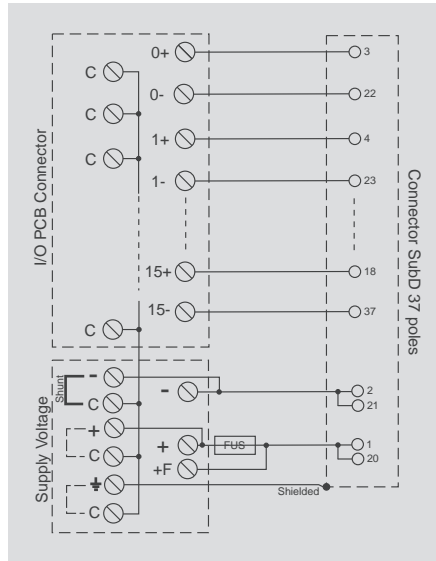
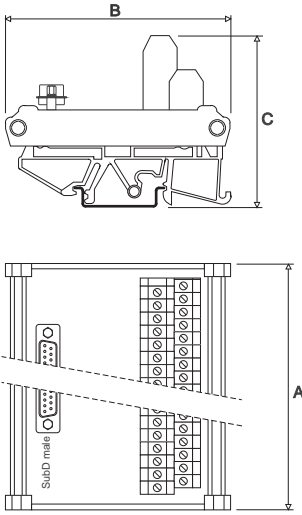


RS AIO/I-M-DP - 16-channel

Common distribution, disconnection and test  
Version: screw / tension clamp



Dimensions



Technical data

<b>Connection</b>	
Connection to PLC	
Connection type V (screw clamp) Flexible/Solid	
Connection type Z (tension clamp) Flexible/Solid	
<b>Input-Output Data</b>	
Number of channels	16
Operating voltage	≤ 25 V AC 50 V DC
Common distribution	Shield, + or – (selectable with jumper)
PLC card supply current fuse	3.15 A
Disconnection	–
Current measuring test point	–
Voltage measuring test point	–
Continuous shielding	Yes
<b>Insulation coordination (EN50178)</b>	
Rated voltage	< 50 V AC
Overvoltage category	III
Pollution degree	2
Insulation test voltage	0.5 KV DC
Ambient temperature	-25...50 °C
Storage temperature	-40...60 °C

<b>Connection</b>	
37-pole D-SUB male connector	
0.5...4 mm <sup>2</sup> / 0.5...6 mm <sup>2</sup> (AWG 26...12)	
–	
<b>Input-Output Data</b>	
16	
≤ 25 V AC 50 V DC	
Shield, + or – (selectable with jumper)	
3.15 A	
–	
–	
–	
Yes	
<b>Insulation coordination (EN50178)</b>	
< 50 V AC	
III	
2	
0.5 KV DC	
-25...50 °C	
-40...60 °C	

<b>Connection</b>	
37-pole D-SUB male connector	
0.5...4 mm <sup>2</sup> / 0.5...6 mm <sup>2</sup> (AWG 26...12)	
0.2...1.5 mm <sup>2</sup> / 0.2...2.5 mm <sup>2</sup> (AWG 24...14)	
<b>Input-Output Data</b>	
16	
≤ 25 V AC 50 V DC	
Shield, + or – (selectable with jumper)	
3.15 A	
Yes - each channel	
Yes - 2 female testing points dia. 4 mm	
Yes - 2 female testing points dia. 4 mm	
Yes	
<b>Insulation coordination (EN50178)</b>	
< 50 V AC	
III	
2	
0.5 KV DC	
-25...50 °C	
-40...60 °C	

<b>Dimensions</b>	
Length A x width B x height C	mm

205 x 87.5 x 72
-----------------

197 x 109 x 81
----------------

<b>Note</b>	
-------------	--

<b>Note</b>	
-------------	--

<b>Note</b>	
-------------	--

Ordering data

Screw connection	
Tension clamp connection	
<b>Note</b>	

<b>Type</b>	<b>Order No.</b>
RS16AIO-DP SD/V	9448020000
<b>Note</b>	

<b>Type</b>	<b>Order No.</b>
RS16AIO/I-M-DP SD/V	9448120000
RS16AIO/I-M-DP SD/Z	9449120000
<b>Note</b>	

