

Surge protection for data interfaces

Coax surge protection

Surge protection for COAX data networks

- Metal housings
- Surge protection using gas-filled arrestor
- Easy handling using socket-adaptor function, with minimal attenuation

BNC Connector / M-F

Protection for video monitoring systems



N Connector / M-F

Protection for transmitters, GSM



E



Technical data

Technical data

Transmission capacity, max.
 max. continuous voltage, U_c (DC)
 Characteristic impedance
 Frequency range
 Operating current, I_{max}
 Insertion loss (attenuation)
 Return loss (attenuation)
 VSWR
 Specification class to IEC 61643-21
 Lightning test voltage I imp (10/350 μs)
 Discharge current, max. (8/20 μs)
 Response time
 Protection level Up (typical)
 Earthing
 Type of connection
 Version
 Ambient temperature (operational)

40 W
 90 V ± 20 %
 50 Ω
 0...2.5 GHz
 5 A
 < 0.2 dB
 > 20 dB
 < 1.2
 C1;C2;C3;D1
 5 kA
 20 kA
 < 100 ns
 < 600 V
 Required with M6 screw
 Male / Female
 adapter plug
 -40 ... 80°C

25 W
 90 V ± 20 %
 50 Ω
 0...2.5 GHz
 5 A
 < 0.15 dB
 > 20 dB
 < 1.2
 C1;C2;C3;D1
 5 kA
 20 kA
 < 100 ns
 < 600 V
 Required with M6 screw
 Male / Female
 adapter plug
 -40 ... 80°C

Dimensions

Clamping range (rating- / min. / max.) mm²
 Length x width x height mm

Note

Male / Female

66.3 x 25

Male / Female

80.3 x 25

Ordering data

Version

adapter plug

Type	Qty.	Order No.
BNC Connector / M-F	1	8947820000

Type	Qty.	Order No.
N Connector / M-F	1	8947830000

Note

Accessories

Note

Coax surge protection

Surge protection for COAX data networks

- Metal housings
- Surge protection using gas-filled arrestor
- Easy handling using socket-adaptor function, with minimal attenuation

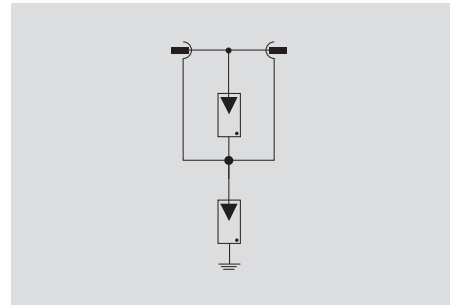
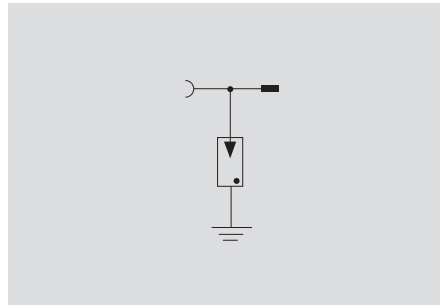
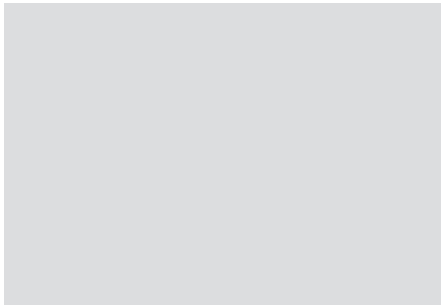
F Connector / M-F

Protection for satellite systems



UHF Connector / M-F

Protection for terrestrial TV



Technical data

Technical data

Transmission capacity, max.
 max. continuous voltage, U_c (DC)
 Characteristic impedance
 Frequency range
 Operating current, I_{max}
 Insertion loss (attenuation)
 Return loss (attenuation)
 VSWR
 Specification class to IEC 61643-21
 Lightning test voltage I imp (10/350 μs)
 Discharge current, max. (8/20 μs)
 Response time
 Protection level Up (typical)
 Earthing
 Type of connection
 Version
 Ambient temperature (operational)

25 W
 90 V ± 20 %
 75 Ω
 0...2.5 GHz
 5 A
 < 0.5 dB
 > 20 dB
 < 1.3
 C1;C2;C3;D1
 5 kA
 20 kA
 < 100 ns
 < 600 V
 Required with M6 screw
 Male / Female
 adapter plug
 -40 ... 80°C

75 V ± 20 %
 75 Ω
 0...1 GHz
 4 A
 < 0.3 dB
 > 20 dB
 C1;C2;C3;D1
 -
 20 kA
 < 100 ns
 < 600 V
 Required with 1.5mm² connection cable
 Male / Female
 adapter plug
 -40 ... 80°C

Dimensions

Clamping range (rating- / min. / max.) mm²
 Length x width x height mm

Male / Female

51.8 x 25

Male / Female

48 x 43 x 24

Note

Ordering data

Version

adapter plug

Type	Qty.	Order No.
F Connector / M-F	1	8947840000

Type	Qty.	Order No.
UHF Connector / M-F	1	8947850000

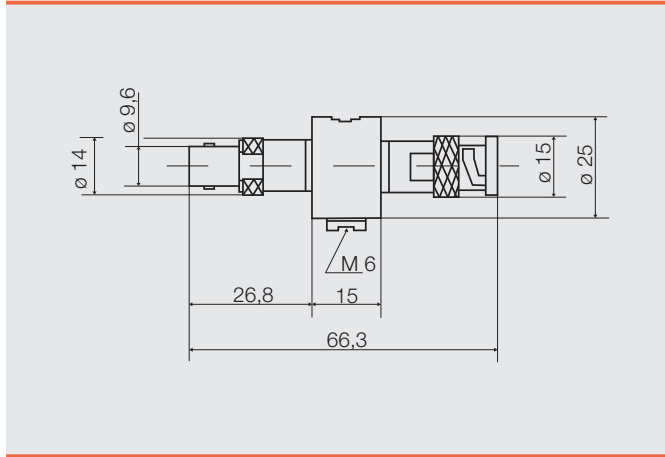
Note

Accessories

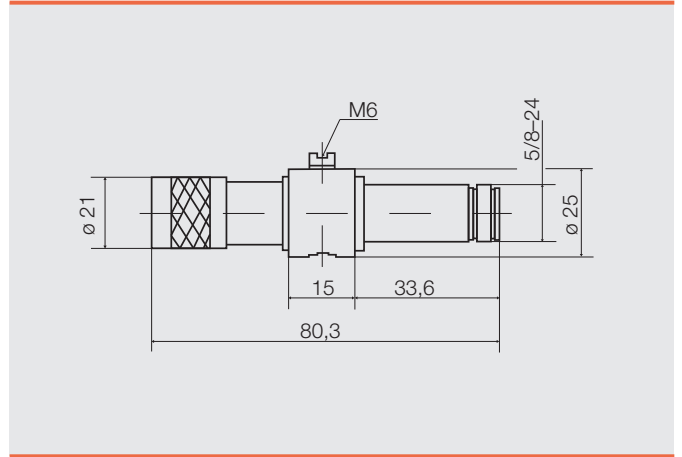
Note



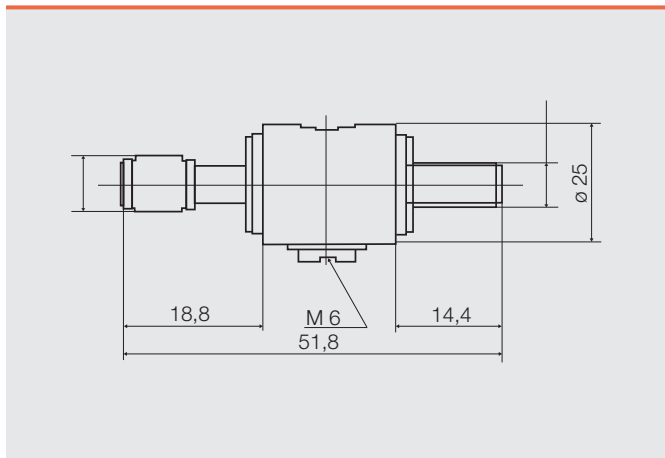
BNC Connector / M-F



N Connector / M-F



F Connector / M-F



UHF Connector / M-F

