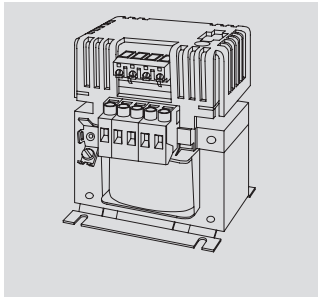


# Unregulated power supplies

## Compact power 1-phase



### CP NT 36



### CP NT 72



### CP NT 144



### Technical data

#### Input

Input voltage  
Input current  
Frequency  
No load input current  
Ext. back-up fuse  
Max. connection range

230 V/ 400 V/ +/- 15V  
0.35 A/ 0.2 A  
50/ 60 Hz  
0.1A / 0.06A  
0.63At / 0.315At  
2.5 mm<sup>2</sup>

230 V/ 400 V/ +/- 15V  
0.56 A/ 0.32 A  
50/ 60 Hz  
0.13A / 0.08A  
0.1 At / 0.63 At  
2.5 mm<sup>2</sup>

230 V/ 400 V/ +/- 15V  
0.95 A/ 0.55 A  
50/ 60 Hz  
0.33A / 0.19A  
1.6At / 1.0At  
2.5 mm<sup>2</sup>

#### Output

Output voltage  
Output current at 40°C  
Output current at 55°C  
Max. output power  
Residual ripple  
Back-up fuse, max.  
Protective circuit  
Max. connection range

24 V SELV  
1.50A  
1A  
36W  
< 5 %  
3 At flat plug-in fuse  
varistor  
4 x 2.5 mm<sup>2</sup> (flexible)  
4 x 4.0 mm<sup>2</sup> (solid)

24 V SELV  
3A  
2.50A  
72W  
< 5 %  
7.5 At flat plug-in fuse  
varistor  
4 x 2.5 mm<sup>2</sup> (flexible)  
4 x 4.0 mm<sup>2</sup> (solid)

24 V SELV  
6A  
5A  
144W  
< 5 %  
10 At flat plug-in fuse  
varistor  
4 x 2.5 mm<sup>2</sup> (flexible)  
4 x 4.0 mm<sup>2</sup> (solid)

#### Insulation coordination

Shock protection  
Insulation strength  
Insulation class  
Protection class  
Protection class

according to VBG4  
4 kV  
B  
IP20  
1

according to VBG4  
4 kV  
B  
IP20  
1

according to VBG4  
4 kV  
B  
IP20  
1

#### General data

Operation temperature  
Storage temperature  
Degree of efficiency  
Mounting position horizontal  
Mounting position arbitrary  
Status display  
Weight  
Low voltage directive  
Standards  
Mounting rail mountability  
Approvals  
EMC standards

-20 °C...+55 °C  
-20 °C...+80 °C  
80%  
1A @ 55 °C; 1.5A @ 40 °C  
1A @ 40 °C  
LED green  
1.5kg  
72/ 23/ EWG  
EN 60950, EN 61558-2-4, -6  
Direct assembly, TS 35 with clip-in plate  
CE / cURus / UL/LIST  
EN 50081-1, 2; EN 61000-6-2, 3; EN 50082-1

-20 °C...+55 °C  
-20 °C...+80 °C  
83%  
2.5A @ 55 °C; 3A @ 40 °C  
2.5A @ 40 °C  
LED green  
2.1kg  
72/ 23/ EWG  
EN 60950, EN 61558-2-4, -6  
Direct assembly, TS 35 with clip-in plate  
CE / cURus / UL/LIST  
EN 50081-1, 2; EN 61000-6-2, 3; EN 50082-1

-20 °C...+55 °C  
-20 °C...+80 °C  
88%  
5A @ 55 °C; 6A @ 40 °C  
5A @ 40 °C  
LED green  
3.1kg  
72/ 23/ EWG  
EN 60950, EN 61558-2-4, -6  
Direct assembly, TS 35 with clip-in plate  
CE / cURus / UL/LIST  
EN 50081-1, 2; EN 61000-6-2, 3; EN 50082-1

Clamping range (rating- / min. / max.) mm<sup>2</sup>  
Length x width x height mm

68.0 x 78.0 x 123.0

85.0 x 84.0 x 125.0

92.0 x 96.0 x 135.0

#### Information

### Ordering data

Type	(Qty.=1)	Order No.
CP NT 36W 24V 1.5A		8575260000

Type	(Qty.=1)	Order No.
CP NT 72W 24V 3A		8575270000

Type	(Qty.=1)	Order No.
CP NT 144W 24V 6A		8575280000

#### Information

### Accessories

#### Information

Clip-in plate for TS35: 8588900000

Clip-in plate for TS35: 8588900000

Clip-in plate for TS35: 8588900000

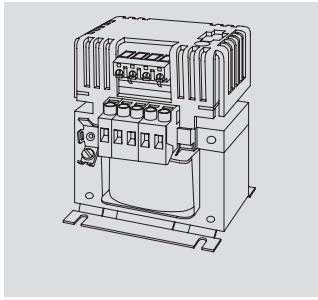
# Unregulated power supplies

## Compact power 1-phase

### CP NT 192

### CP NT 264

### CP NT 432



### Technical data

	CP NT 192	CP NT 264	CP NT 432
<b>Input</b>			
Input voltage	230 V/ 400 V/ +/- 15V	230 V/ 400 V/ +/- 15V	230 V/ 400 V/ +/- 15V
Input current	1.3 A/ 0.7 A	1.8 A/ 1 A	2.5 A/ 1.3 A
Frequency	50/ 60 Hz	50/ 60 Hz	50/ 60 Hz
No load input current	0.3A / 0.16A	0.5A / 0.28A	0.54A / 0.31A
Ext. back-up fuse	2.0At / 1.25At	3.15At / 1.6At	4.0At / 2.0At
Max. connection range	2.5 mm <sup>2</sup>	2.5 mm <sup>2</sup>	2.5 mm <sup>2</sup>
<b>Output</b>			
Output voltage	24 V SELV	24 V SELV	24 V SELV
Output current at 40°C	8A	11A	18A
Output current at 55°C	7A	10A	15A
Max. output power	192W	264W	432W
Residual ripple	< 5 %	< 5 %	< 5 %
Back-up fuse, max.	15 At flat plug-in fuse	Thermal switch	Thermal switch
Protective circuit	varistor	varistor	varistor
Max. connection range	4 x 2.5 mm <sup>2</sup> (flexible) 4 x 4.0 mm <sup>2</sup> (solid)	4 x 2.5 mm <sup>2</sup> (flexible) 4 x 4.0 mm <sup>2</sup> (solid)	4 x 2.5 mm <sup>2</sup> (flexible) 4 x 4.0 mm <sup>2</sup> (solid)
<b>Insulation coordination</b>			
Shock protection	according to VBG4	according to VBG4	according to VBG4
Insulation strength	4 kV	4 kV	4 kV
Insulation class	B	B	B
Protection class	IP20	IP20	IP20
Protection class	1	1	1
<b>General data</b>			
Operation temperature	-20 °C...+55 °C	-20 °C...+55 °C	-20 °C...+55 °C
Storage temperature	-20 °C...+80 °C	-20 °C...+80 °C	-20 °C...+80 °C
Degree of efficiency	90%	93%	95%
Mounting position horizontal	7A @ 55 °C; 8A @ 40 °C	10A @ 55 °C; 11A @ 40 °C	15A @ 55 °C; 18A @ 40 °C
Mounting position arbitrary	7A @ 40 °C	10A @ 40 °C	15A @ 40 °C
Status display	LED green	LED green	LED green
Weight	4.3kg	6.1kg	9.1kg
Low voltage directive	72/ 23/ EWG	72/ 23/ EWG	72/ 23/ EWG
Standards	EN 60950, EN 61558-2-4, -6	EN 60950, EN 61558-2-4, -6	EN 60950, EN 61558-2-4, -6
Mounting rail mountability	Direct assembly	Direct assembly	Direct assembly
Approvals	CE / cURus / UL/LIST	CE / cURus / UL/LIST	CE / cURus / UL/LIST
EMC standards	EN 50081-1, 2; EN 61000-6-2, 3; EN 50082-1	EN 50081-1, 2; EN 61000-6-2, 3; EN 50082-1	EN 50081-1, 2; EN 61000-6-2, 3; EN 50082-1
Clamping range (rating- / min. / max.)	mm <sup>2</sup>	mm <sup>2</sup>	mm <sup>2</sup>
Length x width x height	mm	mm	mm
	105.0 x 105.0 x 145.0	113.0 x 120.0 x 165.0	135.0 x 135.0 x 185.0

### Ordering data

Type	(Qty.=1)	Order No.	Type	(Qty.=1)	Order No.	Type	(Qty.=1)	Order No.
CP NT 192W 24V 8A		8575300000	CP NT 264W 24V 11A		8575310000	CP NT 432W 24V 18A		8575320000

### Information

### Accessories

#### Information

Articles with coloured order number are kept permanently in stock at the central warehouse in Germany.  
Delivery times see page X.2