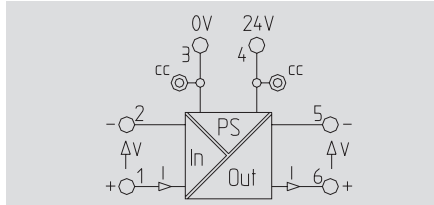
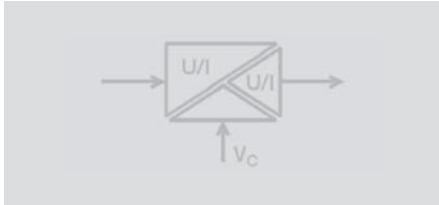
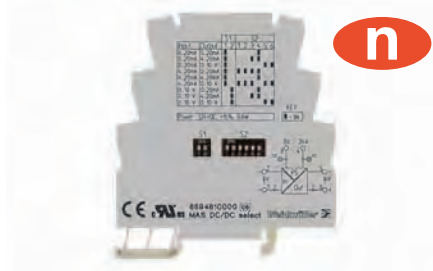


DC/DC 3-way isolator

Configurable

- 3-way isolation
- DIP-switch
- Power supply can be cross connected
- Low power loss

DC/DC select

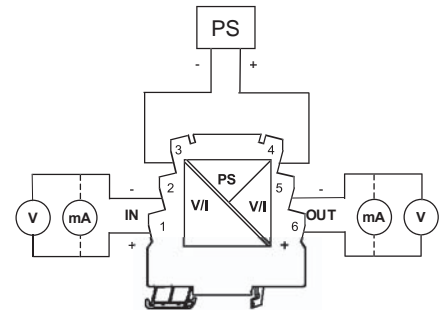


Switch position/setting options

Input	Output	Switch							
		S1		S2					
		1	2	1	2	3	4	5	6
0 ... 20 mA	0 ... 20 mA	■	□	□	□	□	■	□	□
0 ... 20 mA	4 ... 20 mA	■	□	□	□	□	■	□	□
0 ... 20 mA	0 ... 10 V	■	□	□	□	□	■	□	□
4 ... 20 mA	0 ... 20 mA	■	□	■	■	■	■	□	□
4 ... 20 mA	4 ... 20 mA	■	□	□	□	□	■	□	□
4 ... 20 mA	0 ... 10 V	■	□	■	■	■	■	□	□
0 ... 10 V	0 ... 20 mA	□	■	□	□	□	■	□	□
0 ... 10 V	4 ... 20 mA	□	■	□	□	□	■	□	□
0 ... 10 V	0 ... 10 V	□	■	□	□	□	■	□	□

■ = on
□ = off

Connection



Technical data

Input

Input voltage/Input current
Input resistance voltage/Current
Voltage drop

Output

Output voltage/Output current
Load resistance voltage/Current
Accuracy
Temperature coefficient
Cut-off freq. (-3dB)

General data

Supply voltage
Power consumption
Current-carrying cap. of cross-connect.
Operation temperature
Storage temperature
Default settings
Approvals

Insulation coordinates

Standards
EMC standards
Rated voltage
Isolation voltage Input, output/
Overvoltage category
Pollution severity

0...10 V/0(4)...20 mA
100 kΩ/
< 0.1 V at I_{in}=20 mA (Current Input)

0...10 V/0(4)...20 mA
>= 10 kΩ/< = 600 Ω
< 0.5% of final value
< 150 ppm/K of final value
> 100 Hz

24 Vdc +/- 15 %
approx. 0.6 W
<= 20 A
0 °C...+55 °C
-20 °C...+85 °C
0...20mA / 0...20mA
CE / cURus

EN 50178
DIN EN 61326
50 V
500 Veff/
II
2

Dimensions

Clamping range (rating- / min. / max.) mm²
Length x width x height mm

Information

Screw connection

2.50 / 0.50 / 2.50
88.0 x 6.1 x 97.8

Tension clamp c.

1.50 / 0.50 / 2.50
92.0 x 6.1 x 97.8

T_u=23°C, single module

Ordering data

Type of connection

Screw connection
Tension clamp c.

Type	Qty.	Order No.
MAS DC/DC select	10	8594810000
MAZ DC/DC select	1	8594840000

Information

Accessories

Information

Information accessoriesVoltage supply 24V and 0V with ZQV 4N/x cross-connection