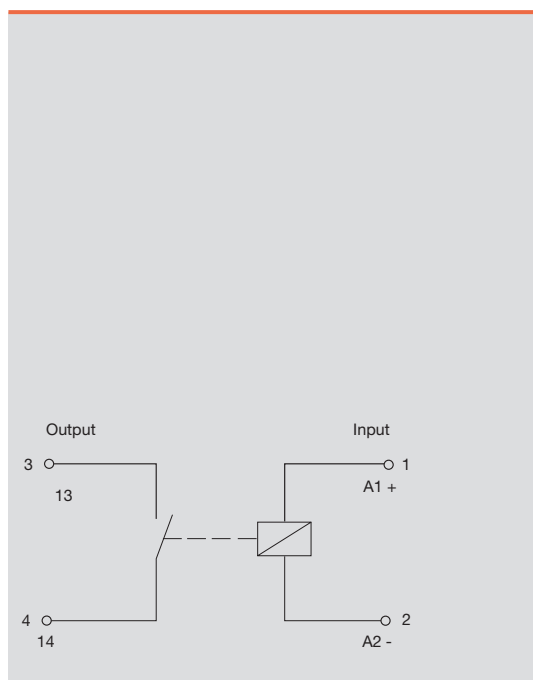


DK-SERIES

1 NO contact, input bottom



Output	
Max. switching voltage AC/Continuous current	100V/500mA
Min. switching power	1 V / 1 mA
Response time / Release time	typ.0.7...2.5ms/0.2...2ms
Contact base material	RH/RU
Mechanical endurance	10 [^] 9 switching cycles
Max. switching frequency at rated load	200Hz
Rated data	
Status indicator/Free wheel diode/Reverse volt. prot.	LED green/Yes/available
Ambient temp., fitted w. distance	-25 °C...+40 °C
Storage temperature	-40 °C...+60 °C
Climate	40°C/93% rel. humidity without condensation
Approvals	CE
Insulation coordinates (EN 50 178)	
Standards	EN 50178
Rated voltage	150 V
Impulse withstand voltage	1.5 kV
Creepage and clearance path input - output	=>3mm
Overvoltage category	III
Pollution severity	2
Secure separation acc. to VDE 0106 Part 101	No
Dimensions	
Clamping range (rating- / min. / max.)	mm ² 4 / 0.5 / 4
Length x width x height	mm 77.0 / 6.0 / 62.0
Information	
	AP DK4: 0687560000

Ordering data

Input	5 VDC 1A	12VDC 1A	24VUC 1A	24VDC 1A
Rated voltage	5 Vdc +/- 5 %	12 Vdc +/- 10 %	12 Vuc +/- 10 %	24 Vdc +/- 20 %
Rated current AC			15mA	
Rated current DC	12.5mA	12mA	12mA	9.3mA
Power rating	65mW	144mW	144mW	225mW
Oper.-/drop-out volt. AC-coil			12V	
Oper.-/drop-out volt. DC-coil	4.4V	9V	11V	11V
Pull-in curr./release curr. AC-coil			6.3mA	
Pull-in curr./release curr. DC-coil	11.8mA	10mA	3.8mA	7.5mA

Ordering data

For TS 32		For TS 35	
Type	DKR 32 5VDC 1A	Type	DKR 35 5VDC 1A
Order No.	8019600000	Type	DKR 35 12VDC 1A
		Order No.	8171100000
Type	DKR 32 24VUC 1A	Type	DKR 35 24VUC 1A
Order No.	8008110000	Order No.	8016610000
Type	DKR 32 24VDC 1A	Type	DKR 35 24VDC 1A
Order No.	8016620000	Order No.	8008170000

Ordering data

Type	Order No.
Type	
Order No.	

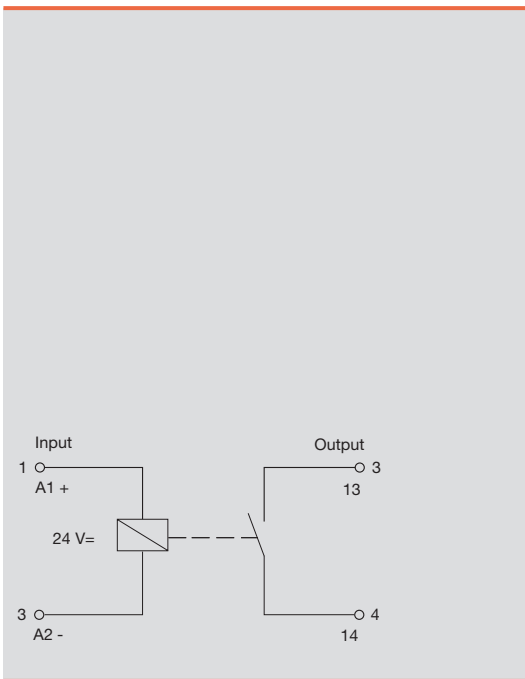
Information

--	--

K

DK-SERIES

1 NO contact, input top

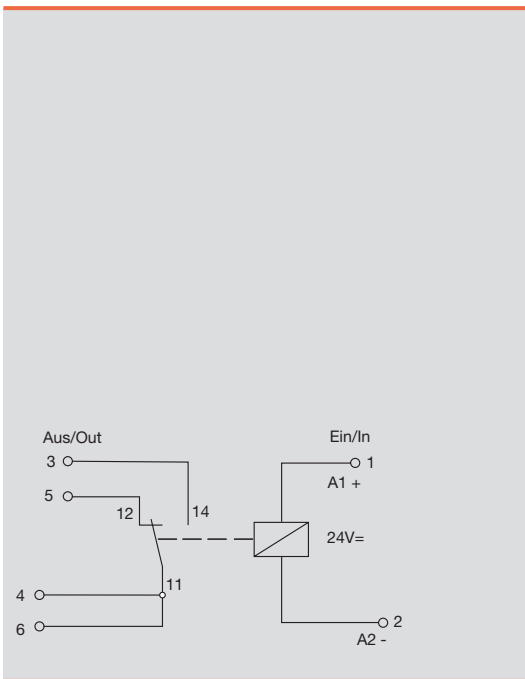


Output	
Max. switching voltage AC/Continuous current	100V/500
Min. switching power	1 V / 1 mA
Response time / Release time	typ.0.7...2.5ms/0.2...2ms
Contact base material	RH/RU
Mechanical endurance	10 ⁹ switching cycles
Max. switching frequency at rated load	25Hz
Rated data	
Status indicator/Free wheel diode/Reverse volt. prot.	LED green/Yes/available
Ambient temp., fitted w. distance	-25 °C...+40 °C
Storage temperature	-40 °C...+60 °C
Climate	40°C/93% rel. humidity without condensation
Approvals	CE
Insulation coordinates (EN 50 178)	
Standards	EN 50178
Rated voltage	150 V
Impulse withstand voltage	1.5 kV
Creepage and clearance path input - output	=>3mm
Overvoltage category	III
Pollution severity	2
Secure separation acc. to VDE 0106 Part 101	No
Dimensions	
Clamping range (rating- / min. / max.)	mm ² 4 / 0.5 / 4
Length x width x height	mm 77.0 / 6.0 / 62.0
Information	
	AP DK4: 0687560000

Ordering data		24 VDC 1A			
Input					
Rated voltage		24 Vdc +/- 20 %			
Rated current AC					
Rated current DC		9.3mA			
Power rating		225mW			
Oper.-/drop-out volt. AC-coil					
Oper.-/drop-out volt. DC-coil		11V			
Pull-in curr./release curr. AC-coil					
Pull-in curr./release curr. DC-coil		3.75mA			
Ordering data					
For TS 32	Type				
	Order No.				
For TS 35	Type	DKR 35 24VDC 1A			
	Order No.	8215620000			
Ordering data					
	Type				
	Order No.				
Information					

DK-SERIES

1 change-over contact, input bottom



Output	
Max. switching voltage AC/Continuous current	250V/6A
Min. switching power	10 V / 100 mA
Response time / Release time	6ms/15ms ac;8ms dc
Contact base material	AgSnO2
Mechanical endurance	2x10 ⁷ switching cycles
Max. switching frequency at rated load	20
Rated data	
Status indicator/Free wheel diode/Reverse volt. prot.	LED green/Yes/not available
Ambient temp., fitted w. distance	-40°C...+60°C
Storage temperature	-40 °C...+60 °C
Climate	40°C/93% rel. humidity without condensation
Approvals	
Insulation coordinates (EN 50 178)	
Standards	EN 50178
Rated voltage	300 V
Impulse withstand voltage	4 kV
Creepage and clearance path input - output	=>8mm
Overvoltage category	III
Pollution severity	2
Secure separation acc. to VDE 0106 Part 101	No
Dimensions	
Clamping range (rating- / min. / max.)	mm ² 4 / 0.5 / 4
Length x width x height	mm 77.0 / 6.0 / 62.0
Information	
	End plate

K

Ordering data		24VUC 1CO	24VDC 1CO	24VUC 1CO	
Input					
Rated voltage		24 Vuc +/- 20 %	24 Vdc +/- 20 %	24 Vuc +/- 20 %	
Rated current AC		9mA		20mA	
Rated current DC		7mA	11.5mA	16mA	
Power rating		220mVA/180mW	384mW	480mW /400mW	
Oper.-/drop-out volt. AC-coil		18V		18V	
Oper.-/drop-out volt. DC-coil		19V	19V	18V	
Pull-in curr./release curr. AC-coil		7mA		12.8mA	
Pull-in curr./release curr. DC-coil		5.5mA	9mA	11.5mA	
Ordering data					
For TS 32	Type	DKR DK5 24VUC 1U			
	Order No.	9454910000			
For TS 35	Type	DKR DK5 24VUC 1U	DKR 35 24VDC 1U	DKR 35 24VUC 1U	
	Order No.	9454910000	8181980000	8181970000	
Ordering data					
	Type				
	Order No.				
Information					