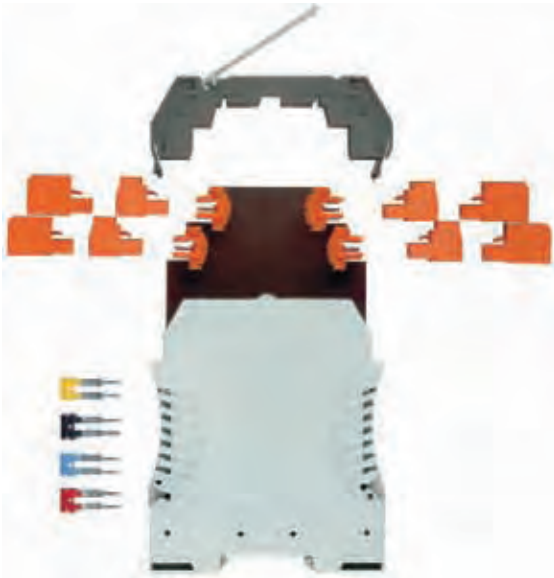


Overview

WAVEBOX housing



The WAVEBOX accommodates modern electronic components and therefore creates a housing to match the function. That concerns both setting and operating functions as well as the technical requirements. This helps heat dissipation and EMC characteristics. Furthermore, the compact design saves space in the switching cabinet and cuts the cost of installation. In addition, ergonomics and design are becoming ever more important for high-quality electronic products. WAVEBOX has been designed to meet these criteria. What this means for customers is that the simple fabrication (e.g. wave soldering, SMD assembly) leads to considerable cost-savings.

WAVEBOX is characterised by:

- optimum component width (12.5 mm, 17.5 mm, 22.5 mm) to suit applications
- large component area, SMDs can be fitted on the solder side
- UL94 flammability rating V2
- installation without tools
- plug-in PCB
- plug-in cross-connection with ZQV 2.5 N
- hinged, transparent cover
- plug-in connection
- leaf spring or tension spring connection as required
- labelling option with WS tags
- can be clipped to TS 35 x 7.5 or TS 35 x 15.

Housing EG 1

This housing provides 4 screw connections over a width of 18 mm and, as accessories, up to 4 solder/spade connections 0.8 x 2.8 mm or 0.8 x 4.8 mm. The current bar of the screw terminal terminates inside the enclosure with a solder eyelet. Two end plates close off the component. Depending on type, the components are mounted side by side on TS 32, TS 35 x 7.5 or TS 35 x 15 terminal rails.

Housing EG 2

In terms of its external form, this is identical with type EG 1. The PCB, equipped with 4 screw connections or up to 8 spade connections 0.8 x 6.3 mm or 0.8 x 2.8 mm, is simply clipped into the enclosure by the customer. For mounting on TS 32, TS 35 x 7.5 or TS 35 x 15 terminal rails.

Housing EG 3

This housing provides 6 screw connections or 12 spade connections 0.8 x 6.3 mm or 0.8 x 2.8 mm over a width of 22.5 mm. As accessories, Weidmüller can supply a profiled PCB with holes on a 2.54 mm pitch or a complete copper lamination. The clip-in combination foot enables components to be mounted side by side on TS 32, TS 35 x 7.5 or TS 35 x 15 terminal rails. The MPL mounting plate is used when attaching the housing directly (without terminal rail). Thanks to the sliding foot design, the EG 3 housing can be rotated through 180° irrespective of the type of mounting (e.g. to exchange input and output).

Housing EG 4

Like the EG 3 housing, this is also 22.5 mm wide. The greater depth (75 mm) and the greater height (109 mm) permit more complex circuitry. The integral circuit can be connected via 6 screw connections. The clip-in combination foot enables components to be mounted side by side on TS 32, TS 35 x 7.5 or TS 35 x 15 terminal rails. Thanks to the sliding foot design, the EG 4 housing can be slid forward or back by 6 mm with respect to the combination foot and – rotated through 180° – reattached (e.g. to exchange input and output).

Housing EG 5

The external dimensions of this housing are identical with those of the EG 4 housing. Type EG 5 has 12 screw connections which are wired within the housing by means of solder eyelets. The clip-in combination foot enables components to be mounted side by side on TS 32, TS 35 x 7.5 or TS 35 x 15 terminal rails. Thanks to the sliding foot design, the EG 5 housing can be slid forward or back by 6 mm with respect to the combination foot and – rotated through 180° – reattached (e.g. to exchange input and output).

Miniature housing

The electronics housings of the DK 5, DK 6, MCZ and MHS/MHZ series are ideally suited to applications in miniature electronics. With a width of just 6.1 mm and open or closed designs, they nevertheless ensure maximum space and minimum losses. The housings are available with 5 or 6 fixed connections (screw or tension spring).

Installation housing in profile form – RS 70

Any number of adapters or adapter feet can be inserted and clipped together between two side pieces (clip-in feet). This creates a base module for a PCB to which various components can be soldered. The subassembly can be clipped to TS 32, TS 35 x 7.5 or TS 35 x 15 terminal rails.

Installation housing in profile form – RS 45, RS 80, RS 100

The RS 45, RS 80 and RS 100 are supplied as extruded profiles in 2 m lengths, which are easily cut to the desired length with a saw. This creates a base module for a PCB which various components can be soldered. The clip-in feet for clipping to TS 32, TS 35 x 7.5 or TS 35 x 15 terminal rails are inserted into these profiles. The sliding foot design of the RS 80 enables the clip-in foot to be rotated through 180°.

Housing in terminal form – WDK 2.5

This type of housing is suitable for housing electronic components with a maximum thickness of 4 mm. To this end, up to 4 independent clamping yoke connections or 4 spade connections 6.3 x 0.8 mm are available. The modular terminals can be mounted on TS 35 x 7.5 or TS 35 x 15 terminal rails.

Housing in terminal form – DK 4 und DKT 4

This type of housing is suitable for housing electronic components with a maximum thickness of 4.5 mm. To this end, up to 4 independent clamping yoke connections are available. A clip-on frame adds another 6 mm space to the DK 4 for accommodating further components. Depending on the type, the modular terminals can be mounted on TS 32, TS 35 x 7.5 or TS 35 x 15 terminal rails.

Component housings

WAVEBOX

A WAVEBOX 12.5 housing consists of:

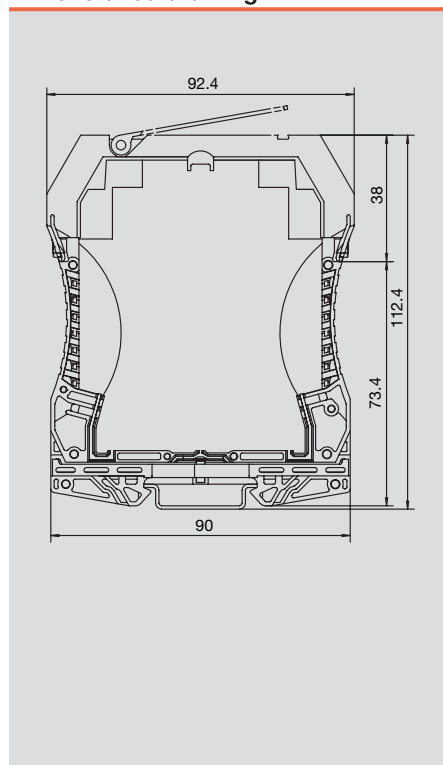
- 1 housing base part with clip-on foot,
- 1 top part,
- 4 male connectors,
- 1-4 female connectors.

Description

The male connectors (one left- and one right-hand version are used depending on the design) are soldered to the PCB and then clipped to the top part. This assembly is inserted into the base part; the integrated anti-twist protection guarantees a correct connection. Connections that are not required can be covered with a cap. The base of the housing is available in cross-connectable (cross-connector ZQV2.5N/2) and non-cross-connectable versions. Both clamping yoke and tension clamp connections are available for the socket connector, which can be coded by means of the coding elements. The hinged transparent top plate of the top part and the housing base part can be labelled with a laser. The top plate also permits easy access for calibration.

CAD drawings that ease the production of layouts and equipping of boards (details of blocked area, max. component heights, pads, etc.) are available on request.

Dimensioned drawing



Technical data

General data	
Dimensions W x L x H (w. TS35 x 7.5)	mm
Dimensions W x L x H (w. TS32)	
No. of connections	total
	left / right / top
Access for calibration	
Shielding	
Contact to the mounting rail	
Max. power loss	
Number of PCB per module	
PCB contacting	
Thickness of PCB	
Ingress protection class	
Tightening torque range	
Stripping length	
Pollution severity	
Flammability class UL 94	
Colour of insulating material	
Clampable conductors (H05V/H07V)	
Solid	mm ²
Flexible	mm ²
Max. conductor AWG	
Plug gauge to 60947-1	
Note	

WAVEBOX 12.5



Dimensions W x L x H	12.5 / 92.4 / 112.4
No. of connections	8
	4 / 4
Movable top plate	
Shielding	not available
Contact to the mounting rail	-
Max. power loss	2 W / 40°C
Number of PCB per module	1
PCB contacting	soldered connection, directly
Thickness of PCB	1.0 (± 0.1) mm
Ingress protection class	IP 20
Tightening torque range	0.4...0.5 Nm
Stripping length	
Pollution severity	2
Flammability class UL 94	V2
Colour of insulating material	grey
Clamp. yoke connection	
0.2...2.5	0.2...2.5
0.2...2.5	0.2...2.5
AWG 26...AWG 12	AWG 26...AWG 12
A3	
Tension clamp connection	
0.2...2.5	0.2...2.5
AWG 26...AWG 12	AWG 26...AWG 12
A3	

Ordering data

Individual parts	
Enclosure part with locking foot	cannot be cross-conn. can be cross-connected
Top part with transparent top plate mounted	
Pin block, 3-pole	orange, right orange, left
Pin block, 3-pole	beige, right beige, left
Pin block, 2-pole	orange, right orange, left
Socket block, clamp. yoke conn.	orange, 3-pole black, 3-pole orange, 2-pole black, 2-pole
Socket block, tension clamp conn.	orange, 3-pole black, 3-pole orange, 2-pole black, 2-pole
Information	

Type	Qty.	Order No.
WAVEBOX L 12.5	18	8426530000
WAVEBOX L 12.5 QV	18	8426540000
TOP UNIT L 12.5	18	8426550000
SL 5.08/2 OR R	100	8427390000
SL 5.08/2 OR L	100	8427400000
BLZ 5.08/2 SN OR	100	1526460000
BLZ 5.08/2 SN SW	100	1526410000
BLZF 5.08/2 SN OR	100	1707460000
BLZF 5.08/2 SN SW	100	1707690000

Accessories

Cross connection 2-pole (pluggable)	
	red
	blue
	yellow
Other accessories	
Coding element	orange black
Screw cap	

Type	Qty.	Order No.
ZQV 2.5N/2 RT	60	1717900000
ZQV 2.5N/2 BL	60	1717990000
ZQV 2.5N/2 GE	60	1693800000
BLZ KO OR	100	1573010000
BLZ KO SW	50	1545710000
CAP 2 WAVEBOX 12,5	20	8428130000

WAVEBOX

A WAVEBOX 17.5 housing consists of:

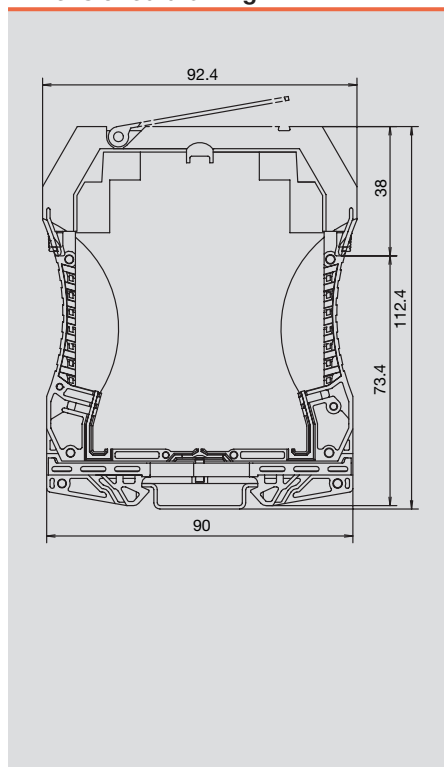
- 1 housing base part with clip-on foot,
- 1 top part,
- 4 male connectors,
- 1-4 female connectors.

Description

The male connectors (one left- and one right-hand version are used depending on the design) are soldered to the PCB and then clipped to the top part. This assembly is inserted into the base part; the integrated anti-twist protection guarantees a correct connection. Connections that are not required can be covered with a cap. The base of the housing is available in cross-connectable and non-cross-connectable versions. Both clamping yoke and tension clamp connections are available for the socket connector, which can be coded. The hinged transparent top plate of the top part and the housing base part can be labelled with a laser. The top plate also permits easy access for calibration.

CAD drawings that ease the production of layouts and equipping of boards (details of blocked area, max. component heights, pads, etc.) are available on request.

Dimensioned drawing



Technical data

General data		
Dimensions W x L x H (w. TS35 x 7.5)	mm	17.5 / 92.4 / 112.4
Dimensions W x L x H (w. TS32)		
No. of connections	total	12
	left / right / top	6 / 6
Access for calibration		Movable top plate
Shielding		not available
Contact to the mounting rail		-
Max. power loss		2 W /40°C
Number of PCB per module		1
PCB contacting		soldered connection, directly
Thickness of PCB		1.0 (± 0.1) mm
Ingress protection class		IP 20
Tightening torque range		0.4...0.5 Nm
Stripping length		
Pollution severity		2
Flammability class UL 94		V2
Colour of insulating material		grey
Clampable conductors (H05V/H07V)		
Solid	mm²	0.2...2.5
Flexible	mm²	0.2...2.5
Max. conductor AWG		AWG 26...AWG 12
Plug gauge to 60947-1		AWG 26...AWG 12
Note		

WAVEBOX 17.5



Ordering data

Individual parts		Type	Qty.	Order No.
Enclosure part with locking foot	cannot be cross-conn.	WAVEBOX L 17.5	12	8426560000
	can be cross-connected	WAVEBOX L 17.5 QV	12	8426570000
		TOP UNIT L 17.5	12	8426580000
Top part with transparent top plate mounted				
Pin block, 3-pole	orange, right			
	orange, left			
Pin block, 3-pole	beige, right	SL 5.08/3 BE R	100	8449220000
	beige, left	SL 5.08/3 BE L	100	8449230000
Pin block, 2-pole	orange, right			
	orange, left			
Socket block, clamp. yoke conn.	orange, 3-pole	BLZ 5.08/3 SN OR	100	1526560000
	black, 3-pole	BLZ 5.08/3 SN SW	100	1526510000
	orange, 2-pole			
	black, 2-pole			
Socket block, tension clamp conn.	orange, 3-pole	BLZF 5.08/3 SN OR	100	1707470000
	black, 3-pole	BLZF 5.08/3 SN SW	100	1707700000
	orange, 2-pole			
	black, 2-pole			
Information				

Accessories

Cross connection 2-pole (pluggable)		Type	Qty.	Order No.
	red	ZQV 2.5N/2 RT	60	1717900000
	blue	ZQV 2.5N/2 BL	60	1717990000
	yellow	ZQV 2.5N/2 GE	60	1693800000
Other accessories				
Coding element	orange	BLZ KO OR	100	1573010000
	black	BLZ-KO SW	50	1545710000
Screw cap		CAP WAVEBOX L22,5/17,5	20	8428120000

Component housings

WAVEBOX

A WAVEBOX S 22.5 housing consists of:

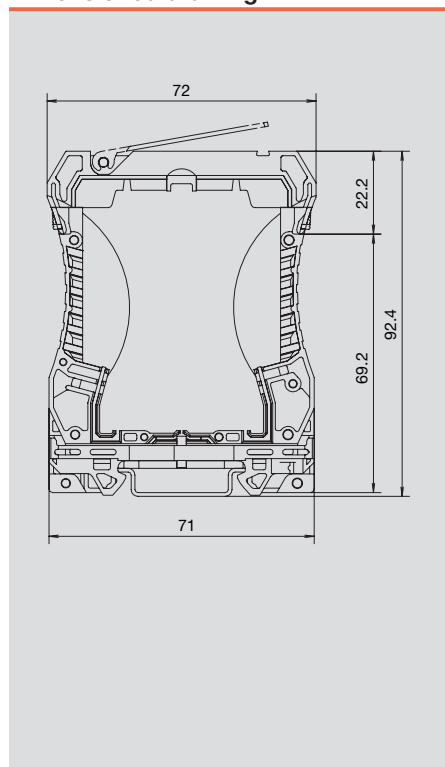
- 1 housing base part with clip-on foot,
- 1 top part,
- 2 male connectors,
- 1-2 female connectors.

Description

The male connectors (one left- and one right-hand version are used depending on the design) are soldered to the PCB and then clipped to the top part. This assembly is inserted into the base part; the integrated anti-twist protection guarantees a correct connection. Connections that are not required can be covered with a cap. The base of the housing is available in cross-connectable and non-cross-connectable versions. Both clamping yoke and tension clamp connections are available for the socket connector, which can be coded. The hinged transparent top plate of the top part and the housing base part can be labelled with a laser. The top plate also permits easy access for calibration.

CAD drawings that ease the production of layouts and equipping of boards (details of blocked area, max. component heights, pads, etc.) are available on request.

Dimensioned drawing



Technical data

General data			
Dimensions W x L x H (w. TS35 x 7.5)	mm	22.5 / 72 / 92.4	
Dimensions W x L x H (w. TS32)			
No. of connections	total	6	
	left / right / top	3 / 3	
Access for calibration		Movable top plate	
Shielding		not available	
Contact to the mounting rail		-	
Max. power loss		2 W /40°C	
Number of PCB per module		1	
PCB contacting		soldered connection, directly	
Thickness of PCB		1.0 (± 0.1) mm	
Ingress protection class		IP 20	
Tightening torque range		0.4...0.5 Nm	
Stripping length			
Pollution severity		2	
Flammability class UL 94		V2	
Colour of insulating material		grey	
Clampable conductors (H05V/H07V)		Clamp. yoke connection	Tension clamp connection
Solid	mm²	0.2...2.5	0.2...2.5
Flexible	mm²	0.2...2.5	0.2...2.5
Max. conductor AWG		AWG 26...AWG 12	AWG 26...AWG 12
Plug gauge to 60947-1		A3	
Note			

Ordering data

Individual parts		Type	Qty.	Order No.
Enclosure part with locking foot	cannot be cross-conn.	WAVEBOX S 22.5	10	8426440000
	can be cross-connected	WAVEBOX S 22.5 QV	10	8426450000
Top part with transparent top plate mounted		TOP UNIT S 22.5	10	8426460000
Pin block, 3-pole	orange, right	SL 5.08/3 OR R	100	8426620000
	orange, left	SL 5.08/3 OR L	100	8426630000
Pin block, 3-pole	beige, right			
	beige, left			
Pin block, 2-pole	orange, right			
	orange, left			
Socket block, clamp. yoke conn.	orange, 3-pole	BLZ 5.08/3 SN OR	100	1526560000
	black, 3-pole	BLZ 5.08/3 SN SW	100	1526510000
	orange, 2-pole			
	black, 2-pole			
Socket block, tension clamp conn.	orange, 3-pole	BLZF 5.08/3 SN OR	100	1707470000
	black, 3-pole	BLZF 5.08/3 SN SW	100	1707700000
	orange, 2-pole			
	black, 2-pole			
Information				

Accessories

Cross connection 2-pole (pluggable)		Type	Qty.	Order No.
	red	ZQV 2.5N/2 RT	60	1717900000
	blue	ZQV 2.5N/2 BL	60	1717990000
	yellow	ZQV 2.5N/2 GE	60	1693800000
Other accessories				
Coding element	orange	BLZ KO OR	100	1573010000
	black	BLZ-KO SW	50	1545710000
Screw cap		CAP WAVEBOX L22,5/17,5	20	8428120000

WAVEBOX S 22.5



WAVEBOX

A WAVEBOX L 22.5 housing consists of:

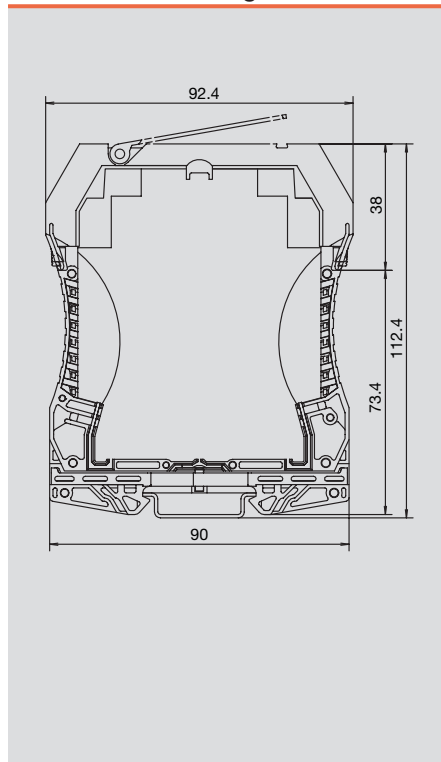
- 1 housing base part with clip-on foot,
- 1 top part,
- 4 male connectors,
- 1-4 female connectors.

Description

The male connectors (one left- and one right-hand version are used depending on the design) are soldered to the PCB and then clipped to the top part. This assembly is inserted into the base part; the integrated anti-twist protection guarantees a correct connection. Connections that are not required can be covered with a cap. The base of the housing is available in cross-connectable and non-cross-connectable versions. Both clamping yoke and tension clamp connections are available for the socket connector, which can be coded. The hinged transparent top plate of the top part and the housing base part can be labelled with a laser. The top plate also permits easy access for calibration.

CAD drawings that ease the production of layouts and equipping of boards (details of blocked area, max. component heights, pads, etc.) are available on request.

Dimensioned drawing



Technical data

General data	
Dimensions W x L x H (w. TS35 x 7.5)	mm
Dimensions W x L x H (w. TS32)	
No. of connections	total
	left / right / top
Access for calibration	
Shielding	
Contact to the mounting rail	
Max. power loss	
Number of PCB per module	
PCB contacting	
Thickness of PCB	
Ingress protection class	
Tightening torque range	
Stripping length	
Pollution severity	
Flammability class UL 94	
Colour of insulating material	
Clampable conductors (H05V/H07V)	
Solid	mm ²
Flexible	mm ²
Max. conductor AWG	
Plug gauge to 60947-1	
Note	

WAVEBOX L 22.5



Dimensions W / 92.4 / 112.4	
No. of connections	12
	6 / 6
Movable top plate	
Shielding	not available
Contact to the mounting rail	-
Max. power loss	2 W / 40°C
Number of PCB per module	1
PCB contacting	soldered connection, directly
Thickness of PCB	1.0 (± 0.1) mm
Ingress protection class	IP 20
Tightening torque range	0.4...0.5 Nm
Stripping length	
Pollution severity	2
Flammability class UL 94	V2
Colour of insulating material	grey
Clamp. yoke connection	
0.2...2.5	0.2...2.5
AWG 26...AWG 12	AWG 26...AWG 12
A3	
Tension clamp connection	
0.2...2.5	0.2...2.5
AWG 26...AWG 12	AWG 26...AWG 12
A3	

Ordering data

Individual parts	
Enclosure part with locking foot	cannot be cross-conn. can be cross-connected
Top part with transparent top plate mounted	
Pin block, 3-pole	orange, right orange, left
Pin block, 3-pole	beige, right beige, left
Pin block, 2-pole	orange, right orange, left
Socket block, clamp. yoke conn.	orange, 3-pole black, 3-pole orange, 2-pole black, 2-pole
Socket block, tension clamp conn.	orange, 3-pole black, 3-pole orange, 2-pole black, 2-pole
Information	

Type	Qty.	Order No.
WAVEBOX L 22.5	10	8426470000
WAVEBOX L 22.5 QV	10	8426480000
TOP UNIT L 22.5	10	8426490000
SL 5.08/3 OR R	100	8426620000
SL 5.08/3 OR L	100	8426630000
BLZ 5.08/3 SN OR	100	1526560000
BLZ 5.08/3 SN SW	100	1526510000
BLZF 5.08/3 SN OR	100	1707470000
BLZF 5.08/3 SN SW	100	1707700000

Accessories

Cross connection 2-pole (pluggable)	
	red
	blue
	yellow
Other accessories	
Coding element	orange black
Screw cap	

Type	Qty.	Order No.
ZQV 2.5N/2 RT	60	1717900000
ZQV 2.5N/2 BL	60	1717990000
ZQV 2.5N/2 GE	60	1693800000
BLZ KO OR	100	1573010000
BLZ-KO SW	50	1545710000
CAP WAVEBOX L22,5/17,5	20	8428120000

EG

An EG3 housing kit consists of:

- 1 housing frame,
- 1 combination foot or 1 mounting plate,
- 1-2 clamping yoke units,
- 2 end plates.

Connection tabs for push-on connections are available if required.

EG 3



Technical data

General data

The fixing with combination foot or mounting plate allows the housing to be mounted on the rail or directly.

Dimensions W x L x H (w. TS35 x 7.5)	mm	22.5 / 58 / 91
Dimensions W x L x H (w. TS32)		22.5 / 58 / 95
No. of connections	total	6
	left / right / top	3 / 3
Access for calibration		
Shielding		not available
Contact to the mounting rail		-
Max. power loss		1.5 W
Number of PCB per module		1
PCB-connection		soldered connection, via wire
Thickness of PCB		1.0 (+ 0.2) mm
Ingress protection class		IP 20
Tightening torque range		0.4...0.8 Nm
Stripping length		
Pollution severity		2
Flammability class UL 94		V2
Colour of insulating material		beige
Clampable conductors (H05V/H07V)		Clamp. yoke connection
Solid	mm ²	0.5...4
Flexible	mm ²	0.5...2.5
Max. conductor AWG		AWG 20...AWG 12
Plug gauge to 60947-1		

Information

Ordering data

Individual parts

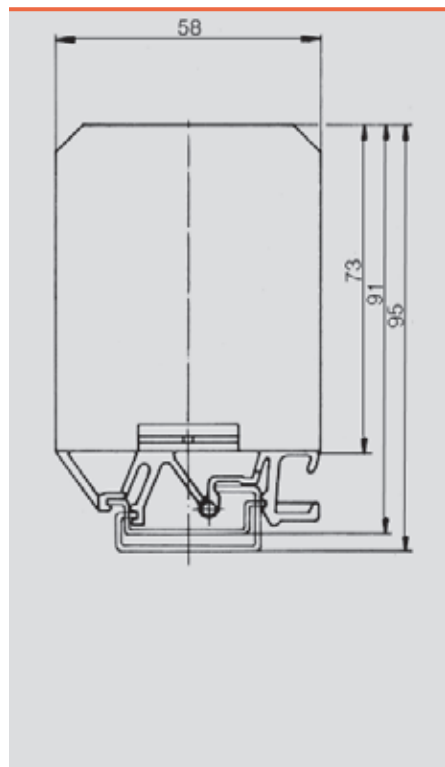
Housing frame		without foot
		w. foot for TS35
		w. foot for TS32
Locking combination foot		
Mounting plate for direct mounting		
End plate		
Clamp. yoke unit		right
		left
Intermediate plate		
Connection spigot		
Flat connector lug		0.8 x 6.3mm
		2 x 0.8 x 6.3mm
		0.8 x 2.8mm
		0.8 x 4.8mm

Type	Qty.	Order No.
GH EG3 A.1 M.1 BOHR. BE	25	0163960000
RKF EG3 BE	20	0163860000
MP EG3/DB BE	50	0158560000
AP EG3	20	0133760000
ZBE EG 3	50	0138360000
ZBE EG 3	50	0138360000
VBZA FEG	50	0510260000
STFA 2.8/2 EG2	100	0496100000
STFA EG3	50	0163500000

Information

Accessories

Type	Qty.	Order No.
------	------	-----------



Component housings

EG

An EG4 housing kit consists of:

- 1 housing frame,
- 1 combination foot or 1 mounting plate,
- 1-2 clamping yoke units,
- 2 end plates.

EG 4



Larger housings are easily assembled: the intermediate plate (ZP) and the connecting pin (VZ) enable 2 or more housings to be mechanically joined together. The ZP joins together the housing frames in the area of the clamping yoke unit and the VZ at the bottom of the frame. The snap-on combination foot or the mounting plate enables the housing to be mounted on the rail or directly.

Technical data

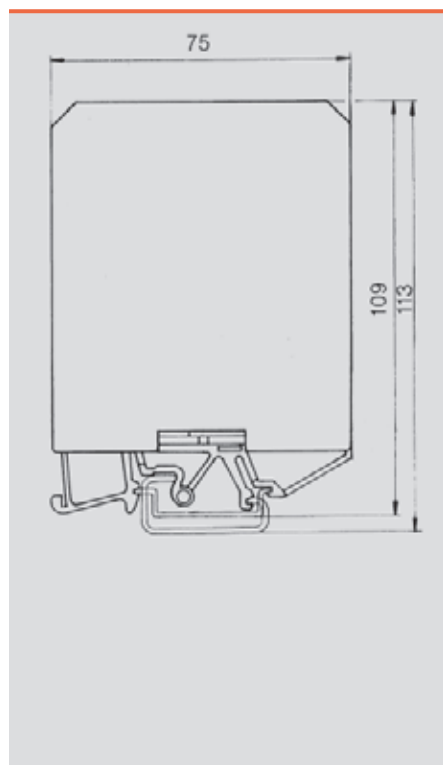
General data		
Dimensions W x L x H (w. TS35 x 7.5)	mm	22.5 / 75 / 109
Dimensions W x L x H (w. TS32)		22.5 / 75 / 113
No. of connections	total	6
	left / right / top	3 / 3
Access for calibration		
Shielding		not available
Contact to the mounting rail		-
Max. power loss		1.6 W
Number of PCB per module		1
PCB-connection		soldered connection, via wire
Thickness of PCB		1.0 (+ 0.2) mm
Ingress protection class		IP 20
Tightening torque range		0.4...0.8 Nm
Stripping length		
Pollution severity		2
Flammability class UL 94		V2
Colour of insulating material		beige
Clampable conductors (H05V/H07V)		Clamp. yoke connection
Solid	mm ²	0.5...4
Flexible	mm ²	0.5...2.5
Max. conductor AWG		AWG 22...AWG 12
Plug gauge to 60947-1		
Information		

Ordering data

Individual parts		Type	Qty.	Order No.
Housing frame	without foot	GH EG4 A.1 O.BOHR.	20	1116560000
	w. foot for TS35			
	w. foot for TS32			
Locking combination foot		WECHSELFUSS F.EG 4+5	20	1116260000
Mounting plate for direct mounting		MONTAGEPLATTE F.EG 4+5	50	1116360000
End plate		AP EG4	20	1116060000
Clamp. yoke unit	right	ZBE EG 3	50	0138360000
	left	ZBE EG 3	50	0138360000
Intermediate plate		ZP EG 32/EG 35	50	0453760000
Connection spigot		VBZA F.EG	50	0510260000
Flat connector lug				
	0.8 x 6.3mm			
	2 x 0.8 x 6.3mm			
	0.8 x 2.8mm			
	0.8 x 4.8mm			
Information				

Accessories

Type	Qty.	Order No.



EG

An EG5 housing consists of:

- 1 housing frame,
- 1 combination foot or 1 mounting plate,
- 1-4 clamping yoke units,
- 2 end plates.

EG 5



Technical data

General data		
Dimensions W x L x H (w. TS35 x 7.5)	mm	22.5 / 75 / 109
Dimensions W x L x H (w. TS32)		22.5 / 75 / 113
No. of connections	total	12
	left / right / top	6 / 6
Access for calibration		-
Shielding		not available
Contact to the mounting rail		-
Max. power loss		1.6 W
Number of PCB per module		1
PCB-connection		soldered connection, via wire
Thickness of PCB		1.0 (+ 0.2) mm
Ingress protection class		IP 20
Tightening torque range		0.4...0.8 Nm
Stripping length		-
Pollution severity		2
Flammability class UL 94		V2
Colour of insulating material		beige
Clampable conductors (H05V/H07V)		Clamp. yoke connection
Solid	mm ²	0.5...4
Flexible	mm ²	0.5...2.5
Max. conductor AWG		AWG 22...AWG 12
Plug gauge to 60947-1		
Information		

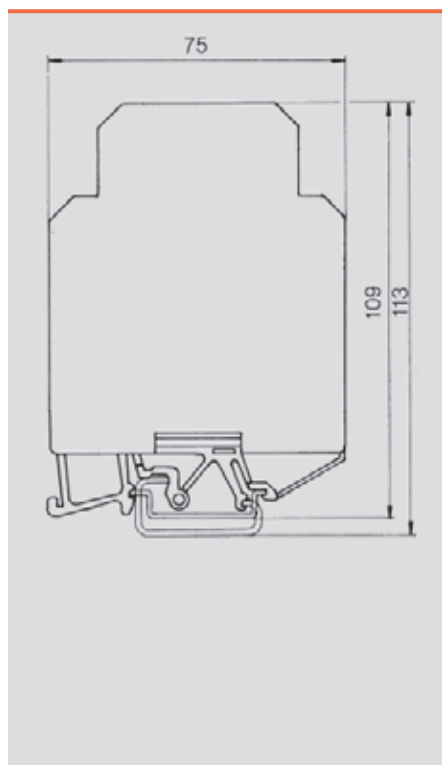
Larger housings are easily assembled: the intermediate plate (ZP) and the connecting pin (VZ) enable 2 or more housings to be mechanically joined together. The ZP joins together the housing frames in the area of the clamping yoke unit and the VZ at the bottom of the frame. The snap-on combination foot or the mounting plate enables the housing to be mounted on the rail or directly.

Ordering data

Individual parts		Type	Qty.	Order No.
Housing frame	without foot	GH EG5 A.1 O.BOHR.	20	1116860000
	w. foot for TS35			
	w. foot for TS32			
Locking combination foot		WECHSELFUSS F.EG 4+5	20	1116260000
Mounting plate for direct mounting		MONTAGEPLATTE F.EG 4+5	50	1116360000
End plate		AP EG5	20	1116160000
Clamp. yoke unit	right	ZBE EG 3	50	0138360000
	left	ZBE EG 3	50	0138360000
Intermediate plate		ZP EG 32/EG 35	50	0453760000
Connection spigot		VBZA F.EG	50	0510260000
Flat connector lug	0.8 x 6.3mm			
	2 x 0.8 x 6.3mm			
	0.8 x 2.8mm			
	0.8 x 4.8mm			
Information				

Accessories

Type	Qty.	Order No.



Installation housings in profile form

RS 45

Chassis plus 4 screws available in two versions:

Rail-mounted version

- 2 end plates for rail mounting,

- 1 extruded profile,

Direct-mount version

- 2 end plates for direct mounting,

- 1 extruded profile.

Description

3 heights are available for cover profile and end plates:

TS-mounting:

TS32 = 45 mm, TS35x7.5 = 40.5 mm

Direct mounting: 24 mm

Dimensions of PCB

Thickness: 1.6 (±0.2) mm, width: 42 (+0.5) mm

Size of RS segment = PCB length - 4.5 mm

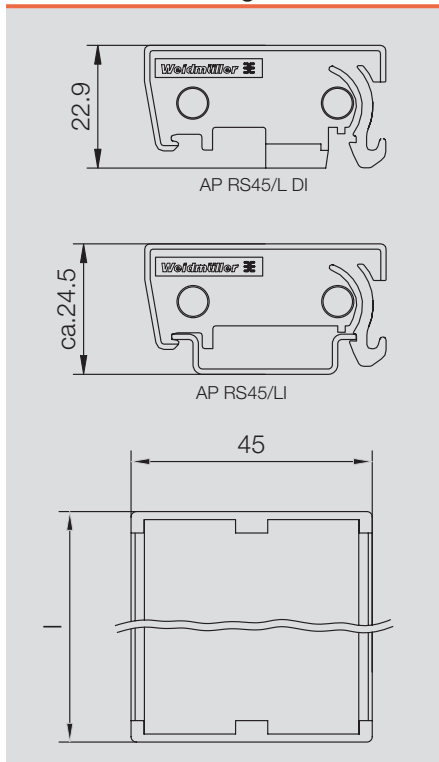
Size of ADP segment = PCB length - 1 mm

Example:

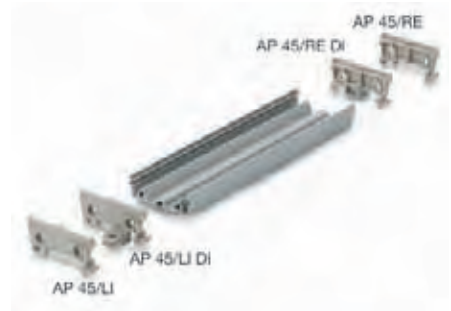
PCB length 160 mm,

RS = 155.5 mm, ADP = 159 mm

Dimensioned drawing



RS 45



Technical data

General data	
Shielding	
Contact to the mounting rail	-
Max. power loss	
Number of PCB per module	1
Thickness of PCB	1.6 (± 0.2) mm
Ingress protection class	
Flammability class UL 94	V2
Colour of insulating material	beige

Note

Ordering data

Extruded profile	
2000 mm	orange
2000 mm	grey
1000 mm	grey
155 mm	orange

Intermediate piece	
5 mm	
15 mm	
25 mm	
30 mm	
45 mm	

End plate w. locking foot	
Without cover	grey, left version
	grey, right-hand version

Locking foot	
	orange
	grey
With marking facilities	left version
	right version
Without marking facilities	left version
	right version
Central	intermediate foot

End plate for direct mounting	
Without cover	grey, left version
	grey, right-hand version
	orange
	grey
For medium-high cover profile	orange
	grey
For high cover profile	orange
	grey

End plate for mounting rail installation	
Without cover	orange
	grey
For medium-high cover profile	orange
	grey
For high cover profile	orange
	grey

Cover profile	medium-high
	high

Screws	LKSC M2,9x13VZ	100	401120000
--------	----------------	-----	-----------

Note

Type	Qty.	Order No.
PF RS 45 GR 2000	2	4027750000
PF RS 45 GR 1000	10	8140880000

AP 45/LI	20	8143910000
AP 45/RE	20	8143900000

AP 45/LI DI	20	8140870000
AP 45/RE DI	20	8140860000

Screws	LKSC M2,9x13VZ	100	401120000
--------	----------------	-----	-----------

Note

Other lengths on request

RS 70

Chassis Form:

Rail-mounted version

- 1 clip-on foot left,
- 1 clip-on foot right,
- 1 or more intermediate pieces,
- 1 clip-on foot centre if required.

Description

Height: TS32 = 33.5 mm, TS35x7.5 = 29 mm

Dimensions of PCB:

Thickness: 1.6 (± 0.2) mm

Length: 67.8 (- 0.2) mm

Width of intermediate piece = PCB width - 2x9mm (snap-on feet)

Example:

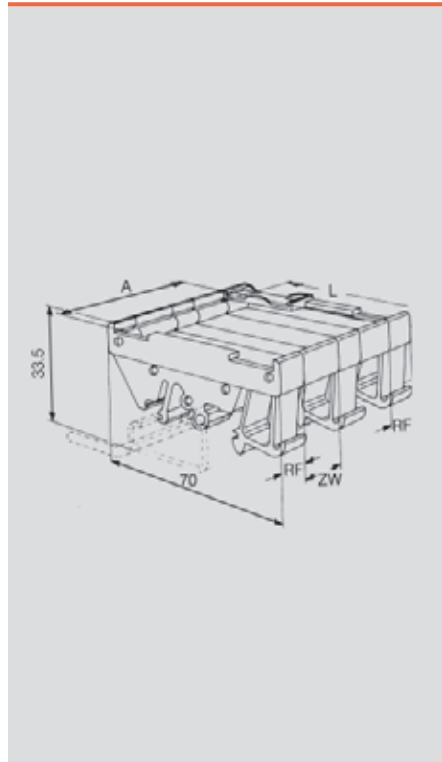
PCB width = 68 mm

Width of intermediate piece = 50 mm

Intermediate piece 2x ZW 25 RS or

ZW 45 RS + ZW 5 RS

Dimensioned drawing



Technical data

General data

Shielding
 Contact to the mounting rail
 Max. power loss
 Number of PCB per module
 Thickness of PCB
 Ingress protection class
 Flammability class UL 94
 Colour of insulating material

Note

Ordering data

Extruded profile

2000 mm	orange
2000 mm	grey
1000 mm	grey
155 mm	orange

Intermediate piece

5 mm	
15 mm	
25 mm	
30 mm	
45 mm	

End plate w. locking foot

Without cover	grey, left version
	grey, right-hand version

Locking foot

	orange
	grey
With marking facilities	left version
	right version
Without marking facilities	left version
	right version
Central	intermediate foot

End plate for direct mounting

Without cover	grey, left version
	grey, right-hand version
	orange
	grey
For medium-high cover profile	orange
	grey
For high cover profile	orange
	grey

End plate for mounting rail installation

Without cover	orange
	grey
For medium-high cover profile	orange
	grey
For high cover profile	orange
	grey

Cover profile	medium-high
	high

Screws

Note

RS 70



Shielding	-
Contact to the mounting rail	-
Max. power loss	-
Number of PCB per module	1
Thickness of PCB	1.6 (± 0.2) mm
Ingress protection class	V2
Flammability class UL 94	
Colour of insulating material	orange

Note

Ordering data

Type	Qty.	Order No.
ZW 5 RS OR	20	0119760000
ZW 15 RS OR	20	0119860000
ZW 25 RS OR	20	0126160000
ZW 30 RS OR	20	0119960000
ZW 45 RS OR	20	0120060000
RF RS 70 RE/A3/M.BEZ	20	0119560000
RF RS 70 LI/A2/O.SG	20	0119660000
RF RS 70 RE/A4/O.BEZ	20	0126260000
RF RS 70 MI/A6	20	0213760000

Installation housings in profile form

RS 80

Chassis plus 4 screws available in two versions::

Rail-mounted version

- 2 end plates for rail mounting,
- 2 or more clip-on feet,
- 1 extruded profile,
- 1 cover profile (if required).

Direct-mount version

- 2 end plates for direct mounting,
- 1 extruded profile,
- 1 cover profile (if required).

Description

3 heights are available for cover profile and end plates:

Rail mounting without cover:

TS32 = 45 mm, TS35x7.5 = 40.5 mm

Rail mounting with low cover:

TS32 = 72 mm, TS35x7.5 = 67.5 mm

Rail mounting with high cover:

TS32 = 91 mm, TS35x7.5 = 86.5 mm

Direct mounting without/low/high cover:

17 / 44 / 63 mm

Dimensions of PCB

Thickness: 1.6 (±0.2) mm, width: 67.8 (+0.2) mm

Size of RS segment = PCB length - 4.5 mm

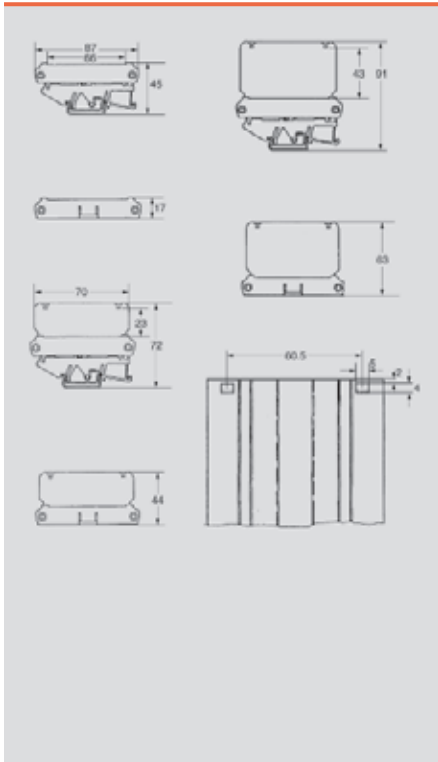
Size of ADP segment = PCB length - 2 mm

Example:

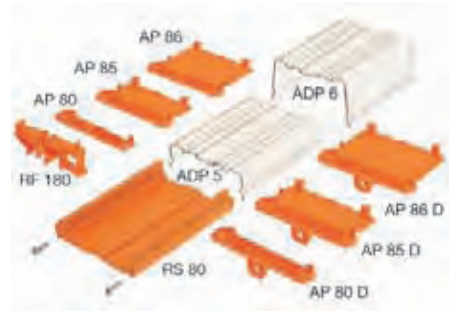
PCB length 160 mm

RS = 155.5 mm, ADP = 158 mm

Dimensioned drawing



RS 80



Technical data

General data

Shielding	
Contact to the mounting rail	-
Max. power loss	
Number of PCB per module	1
Thickness of PCB	1.6 (± 0.2) mm
Ingress protection class	
Flammability class UL 94	V2
Colour of insulating material	orange

Note

Ordering data

Extruded profile

2000 mm	orange
2000 mm	grey
1000 mm	grey
155 mm	orange

Intermediate piece

5 mm
15 mm
25 mm
30 mm
45 mm

End plate w. locking foot

Without cover	grey, left version
	grey, right-hand version

Locking foot

	orange
	grey
With marking facilities	left version
	right version
Without marking facilities	left version
	right version
Central	intermediate foot

End plate for direct mounting

Without cover	grey, left version
	grey, right-hand version
	orange
	grey
For medium-high cover profile	orange
	grey
For high cover profile	orange
	grey

End plate for mounting rail installation

Without cover	orange
	grey
For medium-high cover profile	orange
	grey
For high cover profile	orange
	grey

Cover profile	medium-high
	high

Screws	LKSC M2,9x13VZ	100
--------	----------------	-----

Note

Type	Qty.	Order No.
PF RS 80 OR 2000MM	2	4157440000
PF RS 80 GR 2000MM	2	4183130000
AP RF80 LI	20	8156210000
AP RF80 RE	20	8156200000
RF 180	20	1324460000
RF 180 GR	20	1773400000
AP 80 D	20	1324360000
AP 85 D	20	1411060000
AP 86 D	20	1411160000
AP 80	20	1324260000
AP 80	20	8320300000
AP 85	20	1410860000
AP 86	20	1410960000
ADP 5	1	4167150000
ADP 6	1	4167160000
LKSC M2,9x13VZ	100	4011200000

Other lengths on request

RS 100

Chassis plus 4 screws available in two versions:

Rail-mounted version

- 2 end plates for rail mounting,
- 2 or more clip-on feet,
- 1 extruded profile,
- 1 cover profile (if required).

Direct-mount version

- 2 end plates for direct mounting,
- 1 extruded profile,
- 1 cover profile (if required).

Description

3 heights are available for cover profile and end plates:

Rail mounting without cover:

TS32 = 45 mm, TS35x7.5 = 40.5 mm

Rail mounting with low cover:

TS32 = 89 mm, TS35x7.5 = 84.5 mm

Rail mounting with high cover:

TS32 = 121 mm, TS35x7.5 = 116.5 mm

Direct mounting without/low/high cover:

24 / 69 / 99 mm

Dimensions of PCB

Thickness: 1.6 (±0.2) mm, width: 100 (+0.5) mm

Size of RS segment = PCB length - 4.5 mm

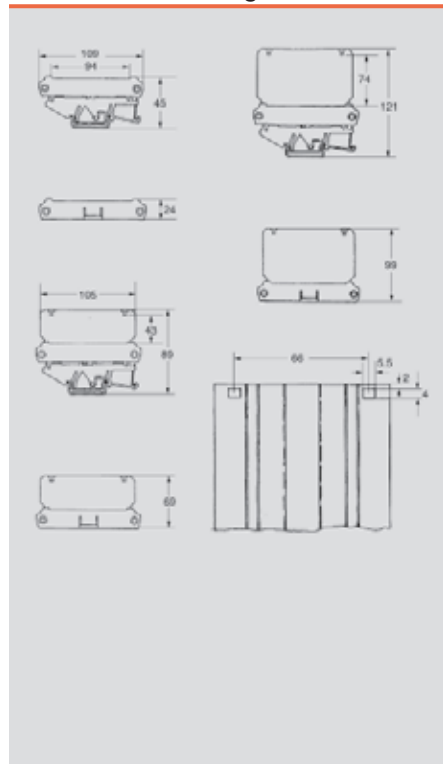
Size of ADP segment = PCB length - 1 mm

Example:

PCB length 160 mm,

RS = 155.5 mm, ADP = 159 mm

Dimensioned drawing



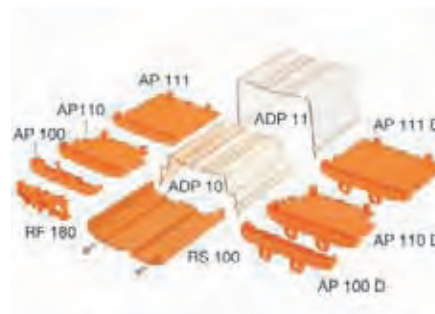
Technical data

General data	
Shielding	
Contact to the mounting rail	-
Max. power loss	
Number of PCB per module	1
Thickness of PCB	1.6 (± 0.2) mm
Ingress protection class	
Flammability class UL 94	V2
Colour of insulating material	orange
Note	

Ordering data

Extruded profile		Type	Qty.	Order No.
2000 mm	orange	PF RS 100 OR 2000MM A.1	2	4144870000
2000 mm	grey	PF RS 100 GR 2000MM A.1	2	4010870000
1000 mm	grey			
155 mm	orange	PF RS 100 A.1 OR 155,5	25	4148400000
Intermediate piece				
5 mm				
15 mm				
25 mm				
30 mm				
45 mm				
End plate w. locking foot				
Without cover	grey, left version			
	grey, right-hand version			
Locking foot				
	orange	RF 180	20	1324460000
	grey	RF 180 GR	20	1773400000
With marking facilities	left version			
	right version			
Without marking facilities	left version			
	right version			
Central	intermediate foot			
End plate for direct mounting				
Without cover	grey, left version			
	grey, right-hand version			
	orange	AP 100 D	20	1185160000
	grey			
For medium-high cover profile	orange	AP 110 D	10	1185360000
	grey			
For high cover profile	orange	AP 111 D	10	1185560000
	grey			
End plate for mounting rail installation				
Without cover	orange	AP 100	20	1185060000
	grey			
For medium-high cover profile	orange	AP 110	10	1185260000
	grey			
For high cover profile	orange	AP 111	10	1185460000
	grey			
Cover profile	medium-high	ADP 10	2	4169320000
	high	ADP 11	2	4169330000
Screws		PTSC KB40X14	100	4019420000
Note		Other lengths on request		

RS 100



WDK 2.5 F

WDK 2.5 F

Screw/spade connection



WDK 2.5 FF

Spade connection



Technical data

General data	
Dimensions W x L x H (w. TS35 x 7.5)	mm
Dimensions W x L x H (w. TS32)	mm
No. of connections	total
	left / right / top
Access for calibration	
Shielding	
Contact to the mounting rail	
Max. power loss	
Number of PCB per module	
PCB-connection	
Thickness of PCB	
Ingress protection class	
Tightening torque range	
Stripping length	
Pollution severity	
Flammability class UL 94	
Colour of insulating material	
Clampable conductors (H05V/H07V)	
Solid	mm ²
Flexible	mm ²
Max. conductor AWG	
Plug gauge to 60947-1	

5.1 / 69.5 / 63	
4	
2 / 2	
not available	
-	
0.4...0.6 Nm	
10 mm	
3	
V-0	
dark beige	
Screw connection	Tension clamp connection
0.5...4	
0.5...2.5	
AWG 26...AWG 12	
A3	

5.1 / 75.5 / 63	
4	
2 / 2	
not available	
-	
0.4...0.6 Nm	
10 mm	
3	
V-0	
dark beige	
Screw connection	Tension clamp connection
0.5...4	
0.5...2.5	

Information

Spade connector on one side

Spade connector both sides

Ordering data

Individual parts	
For mounting rail TS35	with connection element for connection element for mounting rail contact, for connection element
For mounting rail TS32	with connection element
Frame for TS35	for connection element
Frame for TS32	
Top part	open closed
Current bars (w. tension clamp)	short version long version
Current bars	horizontal vertical
Clamp. yoke unit	clamp. yoke + screw
Screw	
Clamping yoke	
Mounting rail contact	current bar spring
Housing cover	
Information	

Type	Qty.	Order No.
WDK 2.5 F	100	1021600000
WZR WDK2.5	20	1074000000

Type	Qty.	Order No.
WDK 2.5 FF	100	1021700000
WZR WDK2.5	20	1074000000

Accessories

End plate	
Information	

Type	Qty.	Order No.
WAP WDK2.5	20	1059100000
WAP WDK2.5 BL	20	1059180000
WAP WDK2.5 GN	20	1059140000

Type	Qty.	Order No.
WAP WDK2.5	20	1059100000
WAP 16+35 WTW 2.5-10	20	1050100000
WAP 16+35 WTW 2.5-10 BL	20	1050180000

DKT 4-6

Maximum equipment level is 4 busbars plus 4 clamping yoke units. The space available and the number of connections can be doubled by adding an extra frame.

A DKT 4-6 series housing consists of:

- 1 terminal carrier
- 1 top section
- 1-4 busbars
- 1-4 clamping yoke units
- 1 frame (if required)
- 1 end plate (if required)

Technical data

General data	
Dimensions W x L x H (w. TS35 x 7.5)	mm
Dimensions W x L x H (w. TS32)	mm
No. of connections	total
	left / right / top
Access for calibration	
Shielding	
Contact to the mounting rail	
Max. power loss	
Number of PCB per module	
PCB-connection	
Thickness of PCB	
Ingress protection class	
Tightening torque range	
Stripping length	
Pollution severity	
Flammability class UL 94	
Colour of insulating material	
Clampable conductors (H05V/H07V)	
Solid	mm ²
Flexible	mm ²
Max. conductor AWG	
Plug gauge to 60947-1	

Information**Ordering data**

Individual parts	
For mounting rail TS35	with connection element for connection element for mounting rail contact, for connection element
For mounting rail TS32	with connection element
Frame for TS35	
Frame for TS35	for connection element
Frame for TS32	
Top part	open closed
Current bars (w. tension clamp)	short version long version
Current bars	horizontal vertical
Clamp. yoke unit	clamp. yoke + screw
Screw	
Clamping yoke	
Mounting rail contact	current bar spring
Housing cover	
Information	

Accessories

End plate	
Information	

DKT 4-6**Screw connection**

Dimensions W / L / H	6 / 65 / 56
No. of connections	4
	2 / 2
Access for calibration	not available
Shielding	-
Number of PCB per module	1
PCB-connection	
Thickness of PCB	
Ingress protection class	IP 20
Tightening torque range	0.4...0.6 Nm
Stripping length	7 mm
Pollution severity	3
Flammability class UL 94	V2
Colour of insulating material	beige
Screw connection	
	0.2...4
Tension clamp connection	
	0.2...4
	AWG 26...AWG 12

Information

Type	Qty.	Order No.
KLTR DKT 4/35 6-SERIES	1	3017730000
DKT 4/35-6 RAHMEN	1	3015070000
KOPL DKT 4	18	2158440000
KOPL DKT4/5 ESD	18	2198360000
SMSE GSE5 WA	1	2047230000
SMSE GSE5 SE	1	2047250000
KLSC M2.5X7 SAK2.5/SO	1	2016770000
ZB DLI2.5	1	2232500000
Information		

Type	Qty.	Order No.
AP DKT4 PA	20	0687560000
Information		

Housings in terminal form

DK 5

The transparent snap-on top plate is used for labelling.

A DK5 housing consists of:

- 1 modular terminal with current bars,
- 1 top plate,
- 1 end plate (if required).

DK 5

Screw connection



Technical data

General data		
Dimensions W x L x H (w. TS35 x 7.5)	mm	6 / 77 / 62
Dimensions W x L x H (w. TS32)	mm	
No. of connections	total	5
	left / right / top	2 / 3
Access for calibration		
Shielding		not available
Contact to the mounting rail		-
Max. power loss		
Number of PCB per module		1
PCB-connection		
Thickness of PCB		
Ingress protection class		IP 20
Tightening torque range		0.4...0.6 Nm
Stripping length		9 mm
Pollution severity		3
Flammability class UL 94		V2
Colour of insulating material		beige
Clampable conductors (H05V/H07V)		
Solid	mm ²	Screw connection 0.2...4
Flexible	mm ²	Tension clamp connection 0.2...4
Max. conductor AWG		AWG 20...AWG 12
Plug gauge to 60947-1		A3

Information
For orientation of current bar see figure

Ordering data

Individual parts		Type	Qty.	Order No.
For mounting rail TS35	with connection element	GH DK5 PA BE A1	1	4036160000
	for connection element			
	for mounting rail contact, for connection element			
For mounting rail TS32	with connection element			
Frame for TS35				
Frame for TS35	for connection element			
Frame for TS32				
Top part	open	KOPL DK5 PA	1	4036790000
	closed			
Current bars (w. tension clamp)	short version			
	long version			
Current bars	horizontal			
	vertical			
	clamp. yoke + screw			
Clamp. yoke unit				
Screw				
Clamping yoke				
Mounting rail contact	current bar			
	spring			
Housing cover				
Information				

Accessories

End plate		Type	Qty.	Order No.
		AP DK5 PA BE	20	4036780000
Information				

Housings in terminal form

MCZ 1.5

The transparent hinged top plate is used for labeling and calibration. Maximum equipment level requires 2 short and 3 long current bars. The space available and the number of connections can be doubled using the frame. CAD drawings that ease the production of layouts and equipping of boards (details of blocked area, max. component heights, pads, etc.), are available on request. The MCZ housing kit consists of:

- 1 terminal holder,
- 1 top plate,
- 1-5 current bars with tension clamp,
- 1 end plate (if required).

Technical data

General data	
Dimensions W x L x H (w. TS35 x 7.5)	mm
Dimensions W x L x H (w. TS32)	mm
No. of connections	total left / right / top
Access for calibration	
Shielding	
Contact to the mounting rail	
Max. power loss	
Number of PCB per module	
PCB-connection	
Thickness of PCB	
Ingress protection class	
Tightening torque range	
Stripping length	
Pollution severity	
Flammability class UL 94	
Colour of insulating material	
Clampable conductors (H05V/H07V)	
Solid	mm ²
Flexible	mm ²
Max. conductor AWG	
Plug gauge to 60947-1	

Information

Ordering data

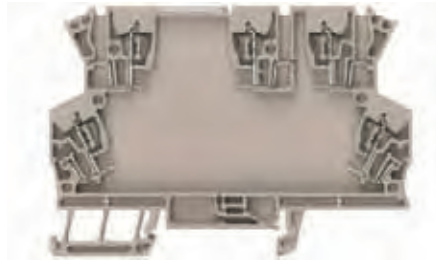
Individual parts	
For mounting rail TS35	with connection element for connection element for mounting rail contact, for connection element
For mounting rail TS32	with connection element
Frame for TS35	
Frame for TS35	for connection element
Frame for TS32	
Top part	open closed
Current bars (w. tension clamp)	short version long version
Current bars	horizontal vertical
Clamp. yoke unit	clamp. yoke + screw
Screw	
Clamping yoke	
Mounting rail contact	current bar spring
Housing cover	
Information	

Accessories

End plate	
Information	

MCZ 1.5

tension clamp connection



6 / 91.3 / 63.5	
5	
1 / 3 / 1	
Movable top plate	
not available	
Earthing-contact	
1	
soldered connection, directly	
1.0 (+ 0.2) mm	
IP 20	
6 mm	
3	
V2	
beige	
Screw connection	Tension clamp connection
	0.2...1.5
	0.2...1.5
	AWG 26...AWG 16

Type	Qty.	Order No.
GH MCZ1.5	1	2224220000
GH MCZUE1.5	1	2238930000
RA MCZ1.5	25	2224240000
KOPL MCZ1.5	18	2224040000
SMSE KU FE MCZ 1.5	1	2224390000
SMSE LN FE MCZ 1.5	1	2224380000
SMSE UE MCZ1.5	1	2239510000
KOFE ZDL2.5S	1	2226380000

Type	Qty.	Order No.
AP MCZ1.5	50	8389030000
Information		