

## FPC-Series

### Medium sized polycarbonate enclosure

The FPC-Series of enclosures is the design generation following on from the MPC range.

With the same material properties, the FPC-Series offers even more extensive accessories, thus expanding the series of applications.

Features:

- 6 sizes in 2 versions
- Grey or transparent lid
- Lid with sealing holes
- Mounting holes located outside of the sealed area
- Threaded holes for mounting rails, mounting plates and PCBs
- Extensive accessories



**Our assembly service can supply these enclosures pre-assembled with terminals and cable glands according to customer requirements.**

### Technical data

Material	Polycarbonate
Lid	Transparent or grey
Surface	Grey, similar to RAL 7035
Gasket	Foamed polyurethane
Lid fixing	4 crosshead screws (polyamide)
Enclosure mounting	4 holes Ø 7.5 or external fixing lugs (accessories)
Equipment mounting	Self-tapping screws
Protection class	IP 66 and IP 67
Temperature range	-50°C to +130°C

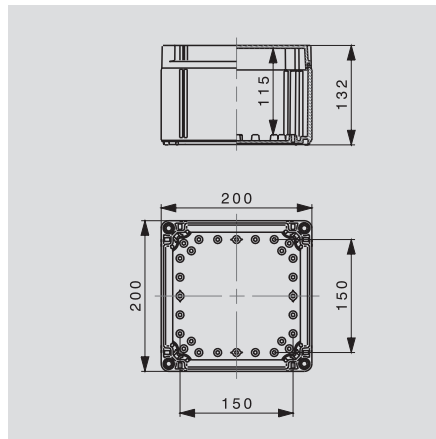
# FPC-Series

## Medium sized polycarbonate enclosures



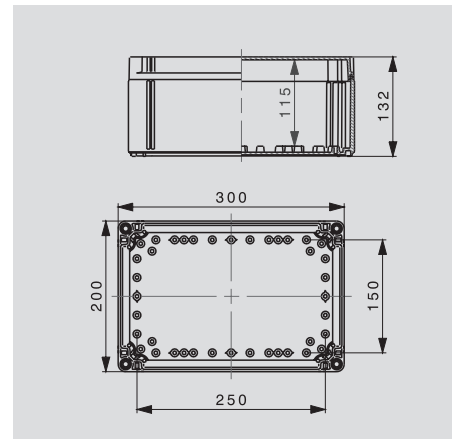
Length x Width x Height mm

### FPC 20/20/13



200 x 200 x 130

### FPC 20/30/13



300 x 200 x 130

### Technical data

Dimensions					
Inner height	mm	115		115	
Weight	g	1039		1349	
Cable entries		Top / Bottom	Left / Right	Top / Bottom	Left / Right
M16		11	11	21	11
M20		6	6	12	6
M25		4	4	8	4
M32		2	2	3	2
M40		1	1	3	1
M50		1	1	2	1
Terminal equipment					
WDU 2.5 / ZDU 2.5		17		40	
WDU 4 / ZDU 4		14		34	
WDU 6 / ZDU 6		10		26	
WDU 10 / ZDU 10		8		20	
Information					

### Ordering data

		Type		Type	
Grey lid		FPC 20/20/13 7035	9535690000	FPC 20/30/13 7035	9535710000
Transparent lid		FPC 20/20/13 trsp	9535680000	FPC 20/30/13 trsp	9535700000
Information					

### Accessories

Mounting plate		Type	Qty.	Order No.	Type	Qty.	Order No.
Sheet steel 1.5 mm	zinc-plated	MP FPC 20/20	1	9535920000	MP FPC 20/30	1	9535930000
Other accessories							
External fixing lugs	set of 4 pieces each	MF FPC	1	9536040000	MF FPC	1	9536040000
Hinge	set of 2 pieces each	HG FPC	1	9535990000	HG FPC	1	9535990000
Information							

Articles with coloured order number are kept permanently in stock at the central warehouse in Germany.  
Delivery times see page X.2

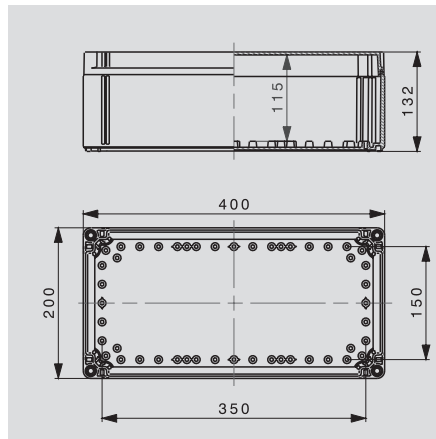
# FPC-Series

## Medium sized polycarbonate enclosures



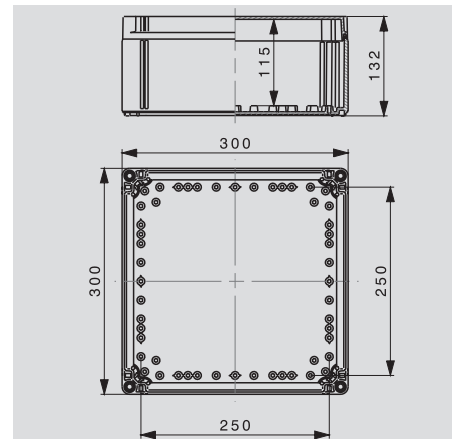
Length x Width x Height mm

### FPC 20/40/13



400 x 200 x 130

### FPC 30/30/13



300 x 300 x 130

## Technical data

### Dimensions

Inner height	mm	115
Weight	g	1674

### Cable entries

	Top / Bottom	Left / Right
M16	30	11
M20	18	6
M25	12	4
M32	5	2
M40	4	1
M50	4	1

### Terminal equipment

WDU 2.5 / ZDU 2.5	60
WDU 4 / ZDU 4	51
WDU 6 / ZDU 6	39
WDU 10 / ZDU 10	30

### Information

Inner height	mm	115
Weight	g	1738

	Top / Bottom	Left / Right
M16	21	21
M20	12	12
M25	8	8
M32	3	3
M40	3	3
M50	2	2

WDU 2.5 / ZDU 2.5	80
WDU 4 / ZDU 4	66
WDU 6 / ZDU 6	50
WDU 10 / ZDU 10	40

### Information

## Ordering data

Grey lid
Transparent lid

### Information

### Type

FPC 20/40/13 7035	9535730000
FPC 20/40/13 trsp	9535720000

### Type

FPC 30/30/13 7035	9535750000
FPC 30/30/13 trsp	9535740000

### Information

# K

## Accessories

### Mounting plate

Sheet steel 1.5 mm	zinc-plated
--------------------	-------------

### Other accessories

External fixing lugs	set of 4 pieces each
Hinge	set of 2 pieces each

### Information

Type	Qty.	Order No.
MP FPC 20/40	1	9535940000
MF FPC	1	9536040000
HG FPC	1	9535990000

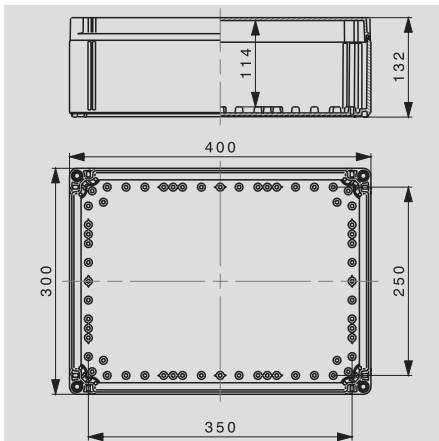
Type	Qty.	Order No.
MP FPC 30/30	1	9535950000
MF FPC	1	9536040000
HG FPC	1	9535990000

### Information

Articles with coloured order number are kept permanently in stock at the central warehouse in Germany.  
Delivery times see page X.2

# FPC-Series

## FPC 30/40/13



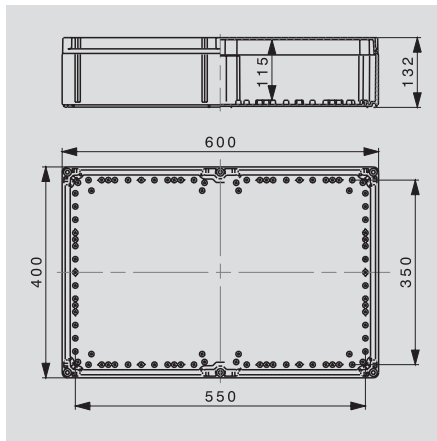
400 x 300 x 130

115	
2199	
Top / Bottom	Left / Right
30	21
18	12
12	8
5	3
4	3
4	2
120	
99	
75	
60	

Type	
FPC 30/40/13 7035	9535770000
FPC 30/40/13 trsp	9535760000

Type	Qty.	Order No.
MP FPC 30/40	1	9535960000
MF FPC	1	9536040000
HG FPC	1	9535990000

## FPC 40/60/13



600 x 400 x 130

115	
3964	
Top / Bottom	Left / Right
42	30
24	18
16	12
6	5
6	4
4	4
295	
245	
185	
150	

Type	
FPC 40/60/13 7035	9535810000
FPC 40/60/13 trsp	9535820000

Type	Qty.	Order No.
MP FPC 40/60	1	9535980000
MF FPC	1	9536040000
HG FPC	1	9535990000

Articles with coloured order number are kept permanently in stock at the central warehouse in Germany.  
Delivery times see page X.2