

K-Series

Aluminium enclosures

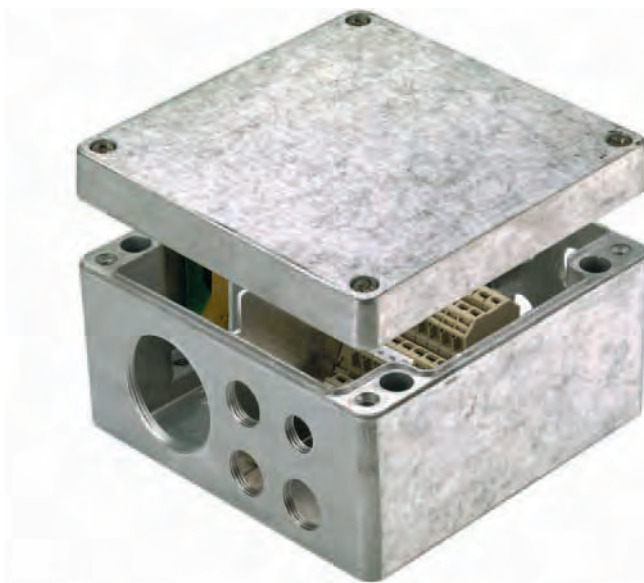
The K-Series of enclosures offers excellent resistance in industrial and transport environments.

They are ideal for a wide series of applications, including configurations with terminals, switches, power packs, push buttons, control lamps or electronic components

Features:

- 22 sizes in 2 versions
- Lid with stainless steel screws
- Internal earthing studs
- Mounting holes located outside of the sealed area
- Threaded holes for mounting rails and mounting plates

Our assembly service can supply these enclosures pre-assembled with terminals and cable glands according to customer requirements.



Technical data	Standard	ATEX
Material	High-quality aluminium alloy (Al-Si-12)	High-quality aluminium alloy (Al-Si-12)
Surface	Smooth, untreated Silver-grey textured protective paint (similar to RAL 7001), 40 µm thick	Smooth, untreated
Gasket	Chloroprene	Chloroprene
Lid fixing	K0, K01, K02, K1, K11; K2, K21, K3, K31, K32, K4 Captive stainless steel slotted head/crosshead M4 screws	Captive stainless steel slotted head/crosshead M4 screws
Earthing (internal)	K0, K01, K02, K1, K2, K11, K21, K3, K31, K32 Earthing screw M4	Earthing screw M4
	K4, K5, K6, K7, K8 Earthing screw M5	Earthing screw M5
	K41, K51, K52, K61, K71, K72, K81 Earthing screw M6	Earthing screw M6
	all enclosures Stainless steel earthing stud M4	Stainless steel earthing stud M4
Enclosure mounting	K0, K01, K02, K1, K11, K2, K21, K3, K31, K32 Holes M4	Holes M4
	K4 Holes M5	Holes M5
	K41, K5, K51, K52, K6, K61, K7, K71, K72, K8, K81 Holes M6	Holes M6
	K0, K01, K02, K1, K2, K3 2 threaded holes M3	2 threaded holes M3
Equipment mounting	K11, K21, K31, K32 2 threaded holes M4	2 threaded holes M4
	K4, K5, K6, K7, K8 2 threaded holes M5	2 threaded holes M5
	K41, K51, K52, K61, K71, K72, K81 threaded holes M6	threaded holes M6
	Protection class	IP 66 and IP 67
Impact resistance	7 J	7 J
Temperature range	-30°C to +80°C	-30°C to +80°C

K

Approvals

KEMA 02ATEX2088 U

 II 2 G EEx e II

KEMA 00ATEX8501 X

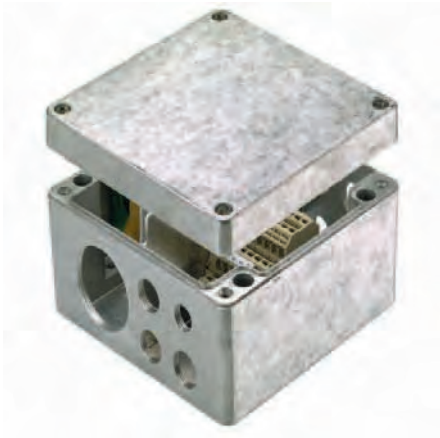
 II 2 G EEx e II T6

 II 1 G EEx ia IIC T6

II 2 (1) G EEx e [ia] IIC T6

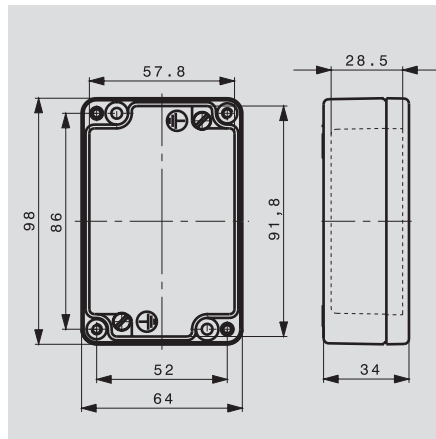
K-Series

Die cast Aluminium enclosures



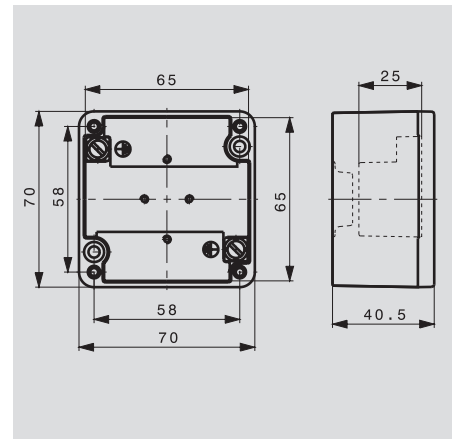
Length x Width x Height mm

K 02



98 x 64 x 34

K 1



70 x 70 x 40.5

Technical data

Dimensions

Inner height	mm	28
Weight	g	220

Cable entries

	Top / Bottom	Left / Right
M12	1	3
M16	1	3
M20		
M25		
M32		
M40		
M50		

Terminal equipment

MK 3/4	
BK 2	
BK 4	
BK 6	1
WDU 2.5 / ZDU 2.5	
WDU 4 / ZDU 4	
WDU 6 / ZDU 6	
WDU 10 / ZDU 10	

Information

Ordering data

Painted	Standard
Standard	
Unpainted	Standard
Standard	
ATEX	

Information

Type	Qty.
K 02 PAINTED RAL7001	9529110000
K 02	1565250000
K02 (KEMA)	9526830000

Type	Qty.	Order No.
K1 PAINTED RAL7001	1	9529120000
K 1	1	0342000000
K1 (KEMA)	1	9526840000

Accessories

Mounting plate	Type	Qty.	Order No.
Spacer M6			
Set of 2 pieces each	15 mm		
	20 mm		
	30 mm		

Other accessories

Earthing rail	
External fixing lugs	
Hinge	

Information

Type	Qty.	Order No.
MOPL K1 STAHL	1	3072990000

Articles with coloured order number are kept permanently in stock at the central warehouse in Germany.
Delivery times see page X.2

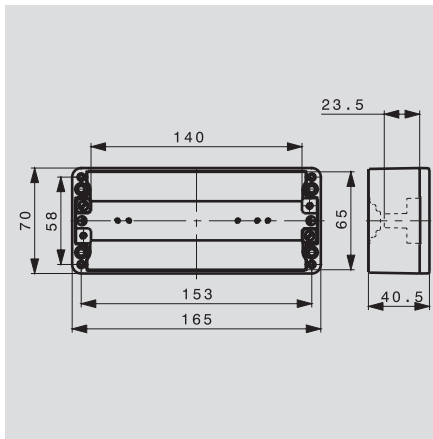
K-Series

Die cast Aluminium enclosures



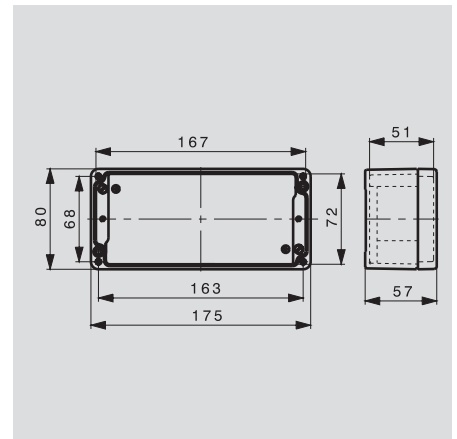
Length x Width x Height mm

K 3



165 x 70 x 40.5

K 31



175 x 80 x 57

Technical data

Dimensions

Inner height	mm	25
Weight	g	450

Cable entries

M12	
M16	
M20	
M25	
M32	
M40	
M50	

Terminal equipment

MK 3/4
BK 2
BK 4
BK 6
WDU 2.5 / ZDU 2.5
WDU 4 / ZDU 4
WDU 6 / ZDU 6
WDU 10 / ZDU 10

Information

Top / Bottom Left / Right

6	
5	
4	

Top / Bottom Left / Right

9	2
6	2
4	1
3	

Ordering data

Painted

Standard	
----------	--

Unpainted

Standard	
ATEX	

Information

Type Qty.

K 3 PAINTED RAL7001	9529160000
K 3	0342200000
K3 (KEMA)	9526880000

Type Qty.

K 31 PAINTED RAL7001	9529170000
K 31	0573500000
K31 (KEMA)	9526890000

Accessories

Mounting plate

MOPL K3 STAHL	Qty. 1	Order No. 3073030000
---------------	--------	----------------------

Spacer M6

Set of 2 pieces each	15 mm	
	20 mm	
	30 mm	

Other accessories

Earthing rail		
External fixing lugs		
Hinge		

Information

Type Qty. Order No.

MOPL K31 STAHL	Qty. 1	Order No. 3073040000
SP 15	Qty. 1	Order No. 3896100000
SP 20	Qty. 1	Order No. 3896200000
SP 30	Qty. 1	Order No. 3896300000
HG K+POK	Qty. 1	Order No. 1580360000

Type Qty. Order No.

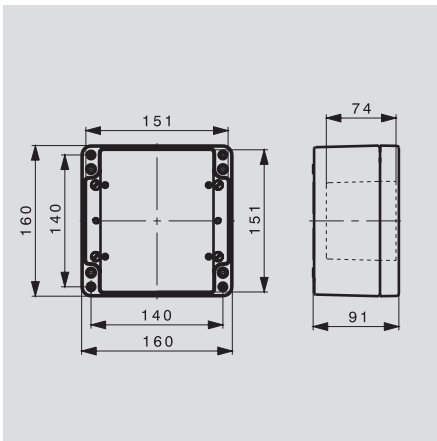
MOPL K31 STAHL	Qty. 1	Order No. 3073040000
SP 15	Qty. 1	Order No. 3896100000
SP 20	Qty. 1	Order No. 3896200000
SP 30	Qty. 1	Order No. 3896300000
HG K+POK	Qty. 1	Order No. 1580360000

1 hinge per long side

Articles with coloured order number are kept permanently in stock at the central warehouse in Germany.
Delivery times see page X.2

K-Series

K 52



160 x 160 x 91

74
1410

Top / Bottom	Left / Right
14	8
8	5
5	3
3	2
2	1
1	

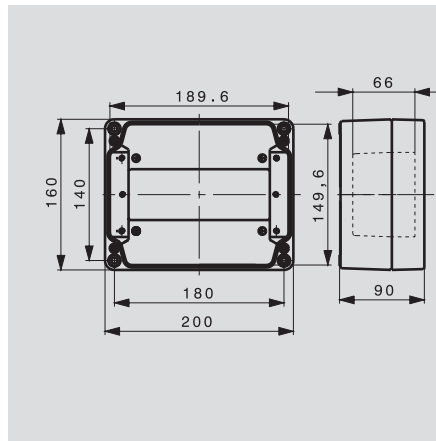
15
12
9
7

Type	Order No.
K 52 PAINTED RAL7001	9529230000
K 52	1565290000
K 52 EX/KEMA M4 E-STUD	9526950000

Type	Qty.	Order No.
MOPL K52 STAHL	1	3073100000
SP 15	1	3896100000
SP 20	1	3896200000
SP 30	1	3896300000
EB K52/POK	1	9511220000
K RANGE FEET KIT (25MM)	1	9527590000
HG K+POK	1	1580360000

1 hinge per long side

K 6



200 x 160 x 100

66
2040

Top / Bottom	Left / Right
17	6
12	6
7	3
4	2
3	2
2	1

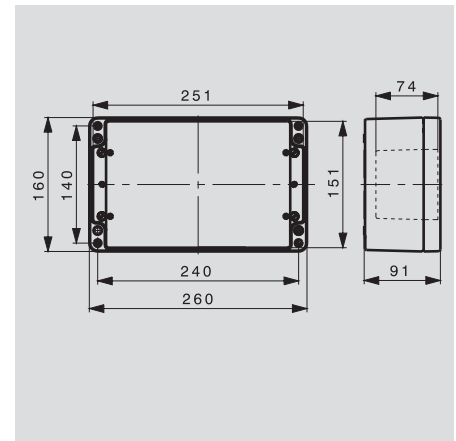
22
19
14
11

Type	Order No.
K 6 PAINTED RAL7001	9529240000
K 6	0342500000
K6 (KEMA)	9526960000

Type	Qty.	Order No.
MOPL K6 STAHL	1	3073110000
SP 15	1	3896100000
SP 20	1	3896200000
SP 30	1	3896300000
ESCH K6 HEB 6POLE	1	9525020000
K RANGE FEET KIT (16MM)	1	9529080000
HG K+POK	1	1580360000

2 hinges per long side

K 61



260 x 160 x 91

74
1960

Top / Bottom	Left / Right
27	8
23	6
13	3
8	2
4	1
3	1

34
29
21
17

Type	Order No.
K 61 PAINTED RAL7001	9529250000
K 61	0573600000
K61 M4E/STUD KEMA CERT	9526970000

Type	Qty.	Order No.
MOPL K61 STAHL	1	3073120000
SP 15	1	3896100000
SP 20	1	3896200000
SP 30	1	3896300000
EB K61/POK6	1	9511230000
K RANGE FEET KIT (25MM)	1	9527590000
HG K+POK	1	1580360000

2 hinges per long side

Articles with coloured order number are kept permanently in stock at the central warehouse in Germany.
Delivery times see page X.2

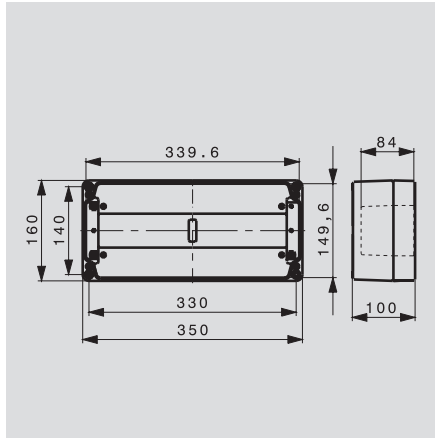
K-Series

Die cast Aluminium enclosures



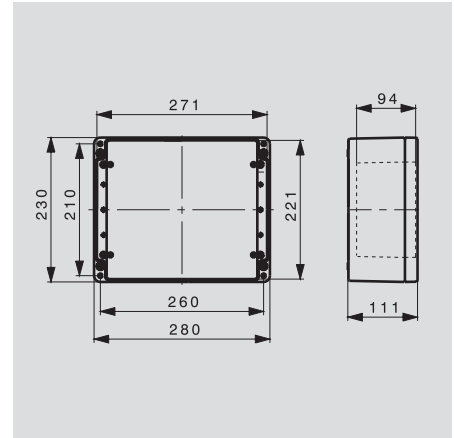
Length x Width x Height mm

K 7



350 x 160 x 100

K 71



280 x 230 x 111

Technical data

Dimensions

Inner height	mm	76
Weight	g	2741

Cable entries

M12	42
M16	26
M20	17
M25	10
M32	6
M40	5
M50	

Terminal equipment

MK 3/4	51
BK 2	43
BK 4	32
BK 6	26
WDU 2.5 / ZDU 2.5	
WDU 4 / ZDU 4	
WDU 6 / ZDU 6	
WDU 10 / ZDU 10	

Information

Top / Bottom Left / Right

42	8
26	6
17	3
10	2
6	2
5	1

Top / Bottom Left / Right

42	28
30	18
21	10
12	8
10	3
4	2
3	2

Ordering data

Painted	
Standard	
Unpainted	
Standard	
ATEX	

Type	Qty.
K 7 PAINTED RAL7001	9529260000
K 7	0342600000
K7 (KEMA)	9526980000

Type	Qty.
K 71 PAINTED RAL7001	9529270000
K 71	0573700000
K71 (KEMA)	9526990000

Information

Accessories

Mounting plate	
MOPL K7 STAHL	
Spacer M6	
Set of 2 pieces each	15 mm
	20 mm
	30 mm
Other accessories	
Earthing rail	
External fixing lugs	
Hinge	

Type	Qty.	Order No.
MOPL K7 STAHL	1	3073130000
SP 15	1	3896100000
SP 20	1	3896200000
SP 30	1	3896300000
ESCH K7 HEB 8POLE	1	9525030000
K RANGE FEET KIT (16MM)	1	9529080000
HG K+POK	1	1580360000

Type	Qty.	Order No.
MOPL K71 STAHL	1	3073140000
SP 15	1	3896100000
SP 20	1	3896200000
SP 30	1	3896300000
EB K71/POK10	1	9511190000
K RANGE FEET KIT (25MM)	1	9527590000
HG K+POK	1	1580360000

Information

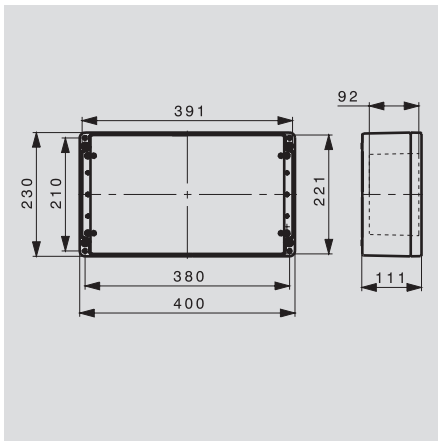
2 hinges per long side

2 hinges per long side

Articles with coloured order number are kept permanently in stock at the central warehouse in Germany. Delivery times see page X.2

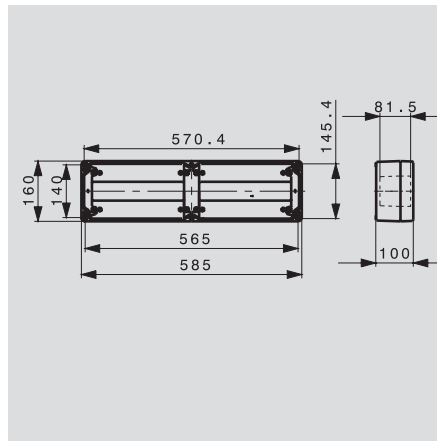
K-Series

K 72



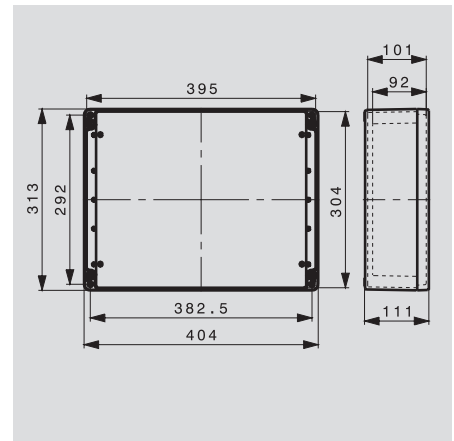
400 x 230 x 111

K 8



585 x 160 x 100

K 81



404 x 313 x 111

92
4870

Top / Bottom	Left / Right
64	20
42	18
33	12
18	8
7	3
6	2
4	2

75
63
48
36

Type	Order No.
K 72 PAINTED RAL7001	9529280000
K 72	1565300000
K72 (KEMA)	9527000000

Type	Qty.	Order No.
MOPL K72 STAHL	1	3073150000
SP 15	1	3896100000
SP 20	1	3896200000
SP 30	1	3896300000
EB K81/POK9	1	9511270000
K RANGE FEET KIT (25MM)	1	9527590000
HG K+POK	1	1580360000

2 hinges per long side

81
6030

Top / Bottom	Left / Right
66	8
40	6
30	3
12	2
10	1
8	1

97
81
61
49

Type	Order No.
K 8 PAINTED RAL7001	9529290000
K 8	0351200000
K8 (KEMA)	9527010000

Type	Qty.	Order No.
MOPL K8 STAHL	1	3073160000
SP 15	1	3896100000
SP 20	1	3896200000
SP 30	1	3896300000
EB K71/POK10	1	9511190000
K RANGE FEET KIT (16MM)	1	9529080000
HG K+POK	1	1580360000

2 hinges per long side

92
6310

Top / Bottom	Left / Right
46	42
45	27
35	16
18	12
7	5
6	4
4	3

120
102
75
60

Type	Order No.
K 81 PAINTED RAL7001	9529300000
K 81	0573800000
K 81 EX/KEMA M4 E-STUD	9527020000

Type	Qty.	Order No.
MOPL K81 STAHL	1	3073170000
SP 15	1	3896100000
SP 20	1	3896200000
SP 30	1	3896300000
EB K61/POK6	1	9511230000
K RANGE FEET KIT (25MM)	1	9527590000
HG K+POK	1	1580360000

2 hinges per long side

Articles with coloured order number are kept permanently in stock at the central warehouse in Germany.
Delivery times see page X.2