

MPC-Series

Small to medium-sized polycarbonate enclosures

The MPC-Series of enclosures made from polycarbonate which is ideal particularly for electrical, electromechanical and pneumatic devices or circuit boards. The enclosures come with extensive accessories for applications in difficult mechanical and chemical environments.

Features:

- 9 sizes in 2 versions
- Grey or transparent lid
- Lid with sealing holes
- Mounting holes located outside of the sealed area
- Threaded holes for mounting rails, mounting plates and PCBs
- Extensive accessories

Our assembly service can supply these enclosures pre-assembled with terminals and cable glands according to customer requirements.



Technical data

Material	Polycarbonate
Lid	Transparent or grey
Surface	Grey, similar to RAL 7035
Gasket	Foamed polyurethane
Lid fixing	4 crosshead screws (polyamide)
Enclosure mounting	4 holes Ø 4.5 or external fixing lugs (accessories)
Equipment mounting	Self-tapping screws
Protection class	IP 66 and IP 67
Temperature range	-50°C to +130°C

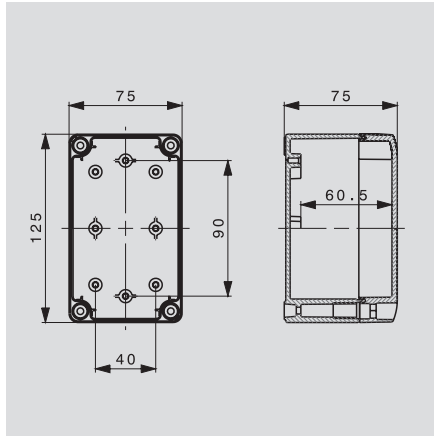
MPC-Series

Small polycarbonate enclosures



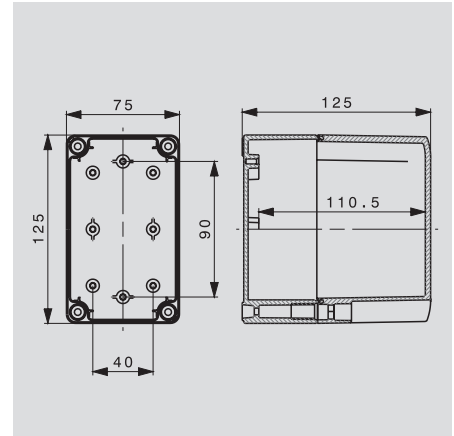
Length x Width x Height mm

MPC 07/12/07



125 x 75 x 75

MPC 07/12/12



125 x 75 x 125

Technical data

Dimensions

Inner height	mm	60
Weight	g	209

Cable entries

	Top / Bottom	Left / Right
M16	1	3
M20	1	3
M25		

Terminal equipment

WDU 2.5 / ZDU 2.5	
WDU 4 / ZDU 4	
WDU 6 / ZDU 6	
WDU 10 / ZDU 10	

Information

Inner height	mm	110
Weight	g	300

	Top / Bottom	Left / Right
M16	1	3
M20	1	3
M25		

WDU 2.5 / ZDU 2.5	13
WDU 4 / ZDU 4	11
WDU 6 / ZDU 6	8
WDU 10 / ZDU 10	6

Information

Ordering data

Grey lid	
Transparent lid	

Information

Type	Order No.
MPC 07/12/07 7035	9535170000
MPC 07/12/07 trsp	9535180000

Type	Order No.
MPC 07/12/12 7035	9535210000
MPC 07/12/12 trsp	9535220000

Information

Accessories

Mounting plate	Material
Sheet steel 1.5 mm	zinc-plated

Other accessories

External fixing lugs	set of 4 pieces each
Hinge	set of 2 pieces each
Mounting screw	

Information

Type	Qty.	Order No.
MP MPC 07/12	10	9535540000
MF MPC	1	9535600000
HG MPC	1	9535590000
SC MPC	100	9535640000

Type	Qty.	Order No.
MP MPC 07/12	10	9535540000
MF MPC	1	9535600000
HG MPC	1	9535590000
SC MPC	100	9535640000

Information

Articles with coloured order number are kept permanently in stock at the central warehouse in Germany.
Delivery times see page X.2

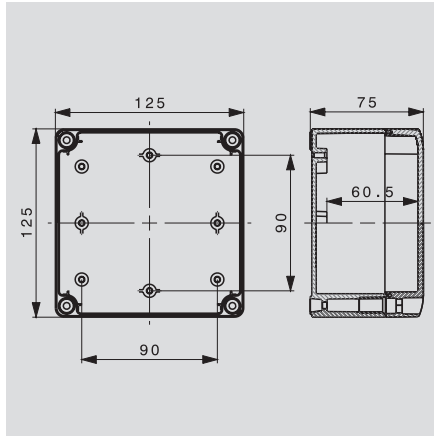
MPC-Series

Small polycarbonate enclosures



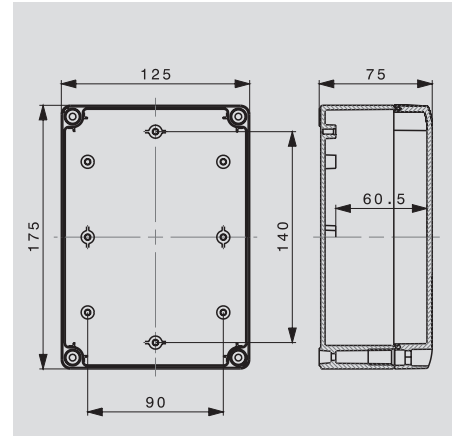
Length x Width x Height mm

MPC 12/12/07



125 x 125 x 75

MPC 12/17/07



175 x 125 x 75

Technical data

Dimensions

Inner height	mm	60
Weight	g	283

Cable entries

	Top / Bottom	Left / Right
M16	3	3
M20	3	3
M25		

Terminal equipment

WDU 2.5 / ZDU 2,5
WDU 4 / ZDU 4
WDU 6 / ZDU 6
WDU 10 / ZDU 10

Information

Ordering data

Grey lid
Transparent lid

Type

MPC 12/12/07 7035	9535230000
MPC 12/12/07 trsp	9535240000

Information

Type

MPC 12/17/07 7035	9535290000
MPC 12/17/07 trsp	9535300000

K

Accessories

Mounting plate

Sheet steel 1.5 mm	zinc-plated
--------------------	-------------

Other accessories

External fixing lugs	set of 4 pieces each	MF MPC	1	9535600000
Hinge	set of 2 pieces each	HG MPC	1	9535590000
Mounting screw		SC MPC	100	9535640000

Type	Qty.	Order No.
MP MPC 12/12	10	9535550000

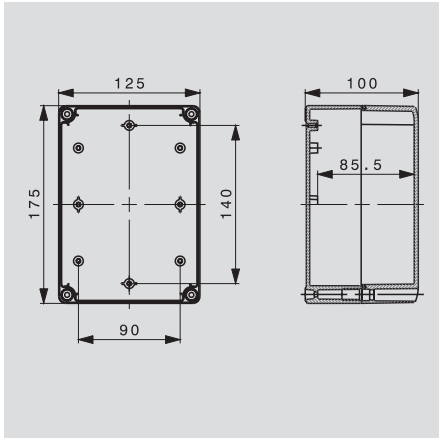
Type	Qty.	Order No.
MP MPC 12/17	10	9535560000

Information

Articles with coloured order number are kept permanently in stock at the central warehouse in Germany.
Delivery times see page X.2

MPC-Series

MPC 12/17/10



175 x 125 x 100

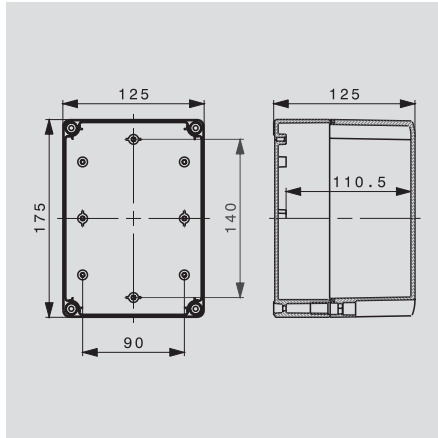
85	
465	
Top / Bottom	Left / Right
3	4
3	4

22
19
14
11

Type	
MPC 12/17/10 7035	9535310000
MPC 12/17/10 trsp	9535320000

Type	Qty.	Order No.
MP MPC 12/17	10	9535560000
MF MPC	1	9535600000
HG MPC	1	9535590000
SC MPC	100	9535640000

MPC 12/17/12



175 x 125 x 125

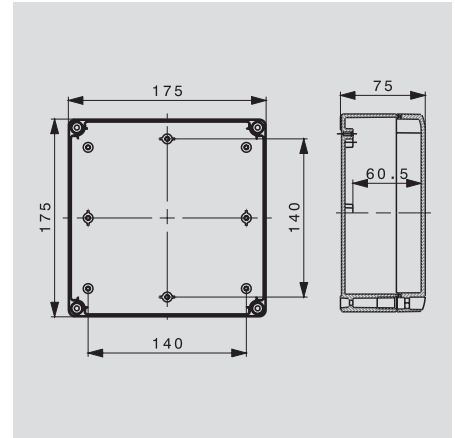
110	
530	
Top / Bottom	Left / Right
3	4
3	4

22
19
14
11

Type	
MPC 12/17/12 7035	9535330000
MPC 12/17/12 trsp	9535340000

Type	Qty.	Order No.
MP MPC 12/17	10	9535560000
MF MPC	1	9535600000
HG MPC	1	9535590000
SC MPC	100	9535640000

MPC 17/17/07



175 x 175 x 75

60	
461	
Top / Bottom	Left / Right
4	4
4	4

22
19
14
11

Type	
MPC 17/17/07 7035	9535370000
MPC 17/17/07 trsp	9535380000

Type	Qty.	Order No.
MP MPC 17/17	10	9535570000
MF MPC	1	9535600000
HG MPC	1	9535590000
SC MPC	100	9535640000

Articles with coloured order number are kept permanently in stock at the central warehouse in Germany.
Delivery times see page X.2

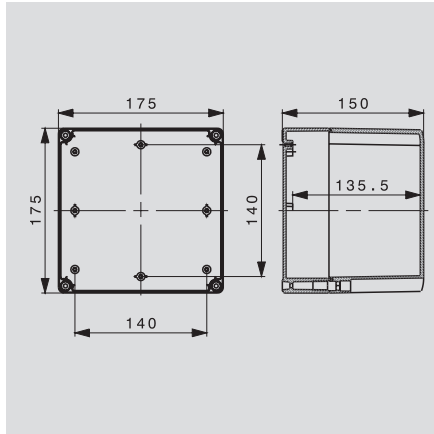
MPC-Series

Small polycarbonate enclosures



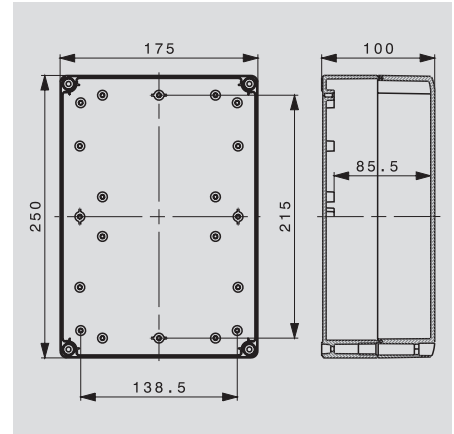
Length x Width x Height mm

MPC 17/17/15



175 x 175 x 150

MPC 17/25/10



250 x 175 x 100

Technical data

Dimensions

Inner height	mm	135
Weight	g	717

Cable entries

	Top / Bottom	Left / Right
M16	4	4
M20	4	4
M25		

Terminal equipment

WDU 2.5 / ZDU 2,5	22
WDU 4 / ZDU 4	19
WDU 6 / ZDU 6	14
WDU 10 / ZDU 10	11

Information

Inner height	mm	85
Weight	g	743

	Top / Bottom	Left / Right
M16	4	7
M20	4	6
M25		

WDU 2.5 / ZDU 2,5	37
WDU 4 / ZDU 4	31
WDU 6 / ZDU 6	23
WDU 10 / ZDU 10	19

Information

Ordering data

Grey lid	
Transparent lid	

Information

Type

MPC 17/17/15 7035	9535430000
MPC 17/17/15 trsp	9535440000

Type

MPC 17/25/10 7035	9535470000
MPC 17/25/10 trsp	9535480000

Information

K

Accessories

Mounting plate

Sheet steel 1.5 mm	zinc-plated
--------------------	-------------

Other accessories

External fixing lugs	set of 4 pieces each
Hinge	set of 2 pieces each
Mounting screw	

Information

Type	Qty.	Order No.
MP MPC 17/17	10	9535570000
MF MPC	1	9535600000
HG MPC	1	9535590000
SC MPC	100	9535640000

Type	Qty.	Order No.
MP MPC 17/25	10	9535580000
MF MPC	1	9535600000
HG MPC	1	9535590000
SC MPC	100	9535640000

Articles with coloured order number are kept permanently in stock at the central warehouse in Germany.
Delivery times see page X.2