

NexT-Series

Large sheet steel enclosures

The NexT-Series is the ideal choice for adverse ambient conditions. Stainless steel versions of the NexT-Series are ideal in even the most aggressive environments: seawater, chemicals, corrosion.

Features:

- 20 sizes each in 10 versions
- Fully detachable lid
- Lid opens 180°
- Concealed hinges
- Internal/External earthing stud
- Fixing lugs
- Mounting plates as accessories

Our assembly service can supply these enclosures pre-assembled with terminals and cable glands according to customer requirements.



Technical data


Material	NexT 26/26 ... 50/35	Sheet steel or stainless steel 1.4404 1.50 mm (16 SWG)
	NexT 62/45 ... 98/74	Sheet steel or stainless steel 1.4404 2.02 mm (14 SWG)
	Gland plates	Sheet steel or stainless steel 1.4404 3.25 mm (10 SWG)
Surface	Painted	Light grey textured protective paint (similar to RAL 7032)
	Stainless steel	Polished, chemically dipped
Gasket		Chloroprene (lid and gland plate)
Lid fixing		Fully detachable hinged lid with captive, stainless steel M 6 hexagon screws
Earthing		Internal/External earthing stud M 10
Enclosure mounting		4 welded-on external lugs with 10 mm spacing holes/slots
Equipment mounting		4 spacers, external diameter 10 mm, M 6x10 mm thread
Protection class		IP 66
Impact resistance		7J
Temperature range		-40°C to +85°C, 100°C for 1 h

Approvals

KEMA 02ATEX2089 U


II 2 G EEx e II
II 2 D

KEMA 99ATEX750 X

II 2 G EEx e II T6
II 2 D T100°C

II 1 G EEx ia IIC T6
II 2 D T100°C
II 2 (1) G EEx e [ia] IIC T6
II 2 D T100°C

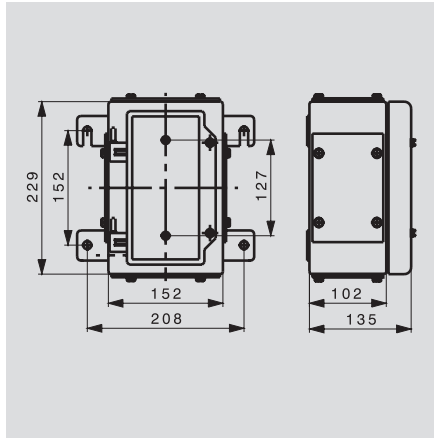
NexT-Series

Sheet steel enclosures IP67



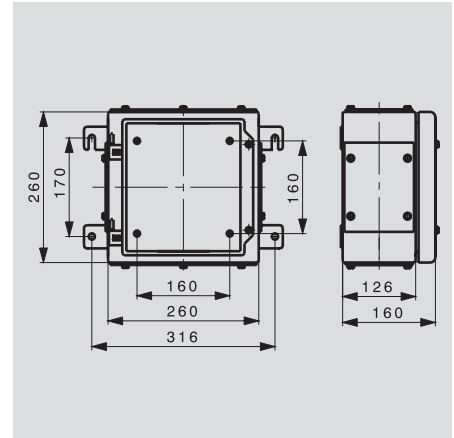
Length x Width x Height mm

NexT 22/15/13



229 x 152 x 130

NexT 26/26/16



260 x 260 x 160

Technical data

Dimensions	
Inner height	mm
Weight	g
Cable entries	
M16	
M20	
M25	
M32	
M40	
M50	
Terminal equipment	
WDU 2.5 / ZDU 2.5	
WDU 4 / ZDU 4	
WDU 6 / ZDU 6	
WDU 10 / ZDU 10	
Information	

70	
3250	
Top / Bottom	Left / Right
8	8
6	6
2	2
2	2
1	1
25	
21	
16	
12	
The horizontal spacing of the fixing lugs is reduced by 30mm in the versions without gland plates on the sides	

100	
5500	
Top / Bottom	Left / Right
24	12
14	6
6	2
4	2
3	2
2	1
68	
58	
44	
34	
The horizontal spacing of the fixing lugs is reduced by 30mm in the versions without gland plates on the sides	

Ordering data

Painted	
Without gland	
1 gland plate, bottom	
2 gland plates, bottom and top	
3 gland plates, bottom, right, and left	
4 gland plates, all sides	
Stainless steel	
Without gland	
1 gland plate, bottom	
2 gland plates, bottom and top	
3 gland plates, bottom, right, and left	
4 gland plates, all sides	
Information	

Type	
NexT 22/15/13 0gp 7032	9533470000
NexT 22/15/13 1gp 7032	9533480000
NexT 22/15/13 2gp 7032	9533490000
NexT 22/15/13 3gp 7032	9533500000
NexT 22/15/13 4gp 7032	9533510000
NexT 22/15/13 0gp ss	9539730000
NexT 22/15/13 1gp ss	9539740000
NexT 22/15/13 2gp ss	9539750000
NexT 22/15/13 3gp ss	9539760000
NexT 22/15/13 4gp ss	9539770000

Type	
NexT 26/26/16 0gp 7032	9523590000
NexT 26/26/16 1gp 7032	9522890000
NexT 26/26/16 2gp 7032	9507740000
NexT 26/26/16 3gp 7032	9523030000
NexT 26/26/16 4gp 7032	9507810000
NexT 26/26/16 0gp ss	9523450000
NexT 26/26/16 1gp ss	9522610000
NexT 26/26/16 2gp ss	9508550000
NexT 26/26/16 3gp ss	9522750000
NexT 26/26/16 4gp ss	9508620000

Accessories

Mounting plate	
Painted, RAL 2000	
Stainless steel	
Spacer M6	
Set of 2 pieces each	15 mm
	20 mm
	30 mm
Other accessories	
Hasp	
Padlock, brass, with 2 keys	
Screw driver, hexagon 10 mm, insulated	
Screw driver, hexagon 10 mm, non-insulated	
Information	

Type	Qty.	Order No.
MP NexT 22/15 2000	1	9513370000
MP NexT 22/15 ss	1	9513320000
SP 15	1	3896100000
SP 20	1	3896200000
SP 30	1	3896300000
Hasp	1	9509130000
Padlock	1	9509140000
ISK 10.0x126	10	9008940000
SK 10.0x125	10	9009070000
For screwdrivers see chapter Tools, Page N.54 ff.		

Type	Qty.	Order No.
MP NexT 26/26 2000	5	9515530000
MP NexT 26/26 ss	5	9515390000
SP 15	1	3896100000
SP 20	1	3896200000
SP 30	1	3896300000
Hasp	1	9509130000
Padlock	1	9509140000
ISK 10.0x126	10	9008940000
SK 10.0x125	10	9009070000
For screwdrivers see chapter Tools, Page N.54 ff.		

Articles with coloured order number are kept permanently in stock at the central warehouse in Germany.
Delivery times see page X.2

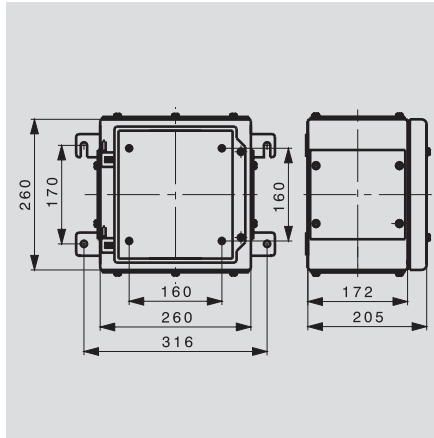
NexT-Series

Sheet steel enclosures IP67



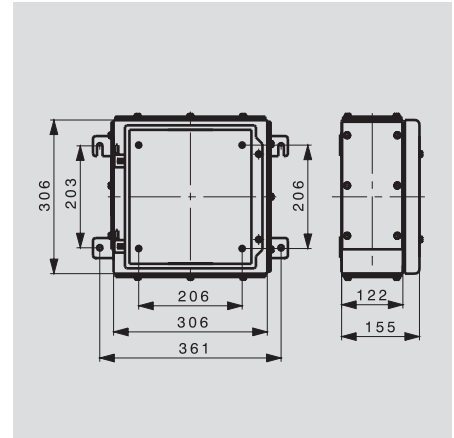
Length x Width x Height mm

NexT 26/26/20



260 x 260 x 205

NexT 30/30/16



306 x 306 x 160

Technical data

Dimensions

Inner height	mm	145
Weight	g	6000

Cable entries

	Top / Bottom	Left / Right
M16	40	20
M20	26	12
M25	15	9
M32	8	4
M40	6	4
M50	2	1

Terminal equipment

WDU 2.5 / ZDU 2.5	68
WDU 4 / ZDU 4	58
WDU 6 / ZDU 6	44
WDU 10 / ZDU 10	34

Information

The horizontal spacing of the fixing lugs is reduced by 30mm in the versions without gland plates on the sides

Inner height	mm	100
Weight	g	7000

	Top / Bottom	Left / Right
M16	30	24 / 30
M20	16	14 / 16
M25	14	6 / 14
M32	5	4 / 5
M40	4	3 / 4
M50	3	2 / 3

WDU 2.5 / ZDU 2.5	78
WDU 4 / ZDU 4	66
WDU 6 / ZDU 6	50
WDU 10 / ZDU 10	40

The horizontal spacing of the fixing lugs is reduced by 30mm in the versions without gland plates on the sides

Ordering data

Painted

- Without gland
- 1 gland plate, bottom
- 2 gland plates, bottom and top
- 3 gland plates, bottom, right, and left
- 4 gland plates, all sides

Stainless steel

- Without gland
- 1 gland plate, bottom
- 2 gland plates, bottom and top
- 3 gland plates, bottom, right, and left
- 4 gland plates, all sides

Information

Type

NexT 26/26/20 0gp 7032	9523660000
NexT 26/26/20 1gp 7032	9522960000
NexT 26/26/20 2gp 7032	9507880000
NexT 26/26/20 3gp 7032	9523100000
NexT 26/26/20 4gp 7032	9507950000

NexT 26/26/20 0gp ss	9523520000
NexT 26/26/20 1gp ss	9522680000
NexT 26/26/20 2gp ss	9508690000
NexT 26/26/20 3gp ss	9522820000
NexT 26/26/20 4gp ss	9508760000

Type

NexT 30/30/16 0gp 7032	9533520000
NexT 30/30/16 1gp 7032	9533530000
NexT 30/30/16 2gp 7032	9533540000
NexT 30/30/16 3gp 7032	9533550000
NexT 30/30/16 4gp 7032	9533560000

NexT 30/30/16 0gp ss	9539780000
NexT 30/30/16 1gp ss	9539790000
NexT 30/30/16 2gp ss	9539800000
NexT 30/30/16 3gp ss	9539810000
NexT 30/30/16 4gp ss	9539820000

Accessories

Mounting plate

Painted, RAL 2000
Stainless steel

Spacer M6

Set of 2 pieces each	15 mm
	20 mm
	30 mm

Other accessories

- Hasp
- Padlock, brass, with 2 keys
- Screw driver, hexagon 10 mm, insulated
- Screw driver, hexagon 10 mm, non-insulated

Information

Type	Qty.	Order No.
MP NexT 26/26 2000	5	9515530000
MP NexT 26/26 ss	5	9515390000
SP 15	1	3896100000
SP 20	1	3896200000
SP 30	1	3896300000
Hasp	1	9509130000
Padlock	1	9509140000
ISK 10.0x126	10	9008940000
SK 10.0x125	10	9009070000

For screwdrivers see chapter Tools, Page N.54 ff.

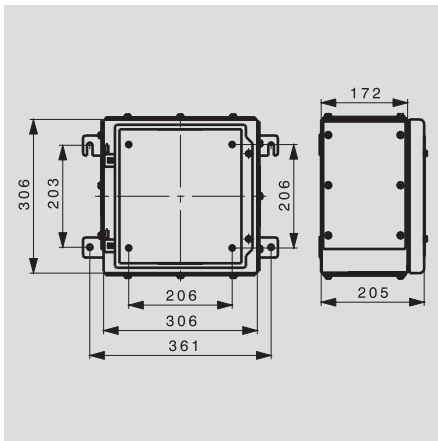
Type	Qty.	Order No.
MP NexT 30/30 2000	1	9513380000
MP NexT 30/30 ss	1	9513330000
SP 15	1	3896100000
SP 20	1	3896200000
SP 30	1	3896300000
Hasp	1	9509130000
Padlock	1	9509140000
ISK 10.0x126	10	9008940000
SK 10.0x125	10	9009070000

For screwdrivers see chapter Tools, Page N.54 ff.

Articles with coloured order number are kept permanently in stock at the central warehouse in Germany. Delivery times see page X.2

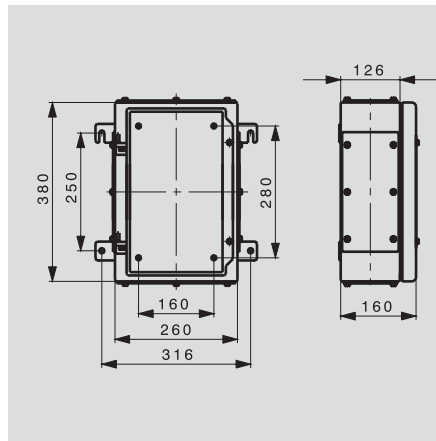
NexT-Series

NexT 30/30/20



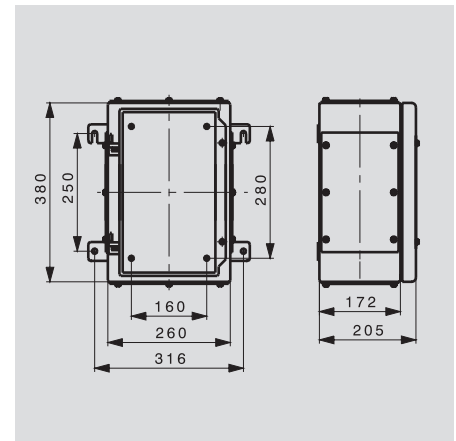
306 x 306 x 205

NexT 38/26/16



380 x 260 x 160

NexT 38/26/20



380 x 260 x 205

100	
7000	
Top / Bottom	Left / Right
24	24
14	14
6	6
4	4
3	3
2	2
114	
96	
72	
58	

The horizontal spacing of the fixing lugs is reduced by 30mm in the versions without gland plates on the sides

145	
7500	
Top / Bottom	Left / Right
40	40
26	26
15	15
8	8
6	6
2	2
114	
96	
72	
58	

The horizontal spacing of the fixing lugs is reduced by 30mm in the versions without gland plates on the sides

Type	Order No.
NexT 30/30/20 0gp 7032	9541000000
NexT 30/30/20 1gp 7032	9541010000
NexT 30/30/20 2gp 7032	9541020000
NexT 30/30/20 3gp 7032	9541030000
NexT 30/30/20 4gp 7032	9541040000
NexT 30/30/20 0gp ss	9541500000
NexT 30/30/20 1gp ss	9541510000
NexT 30/30/20 2gp ss	9541520000
NexT 30/30/20 3gp ss	9541530000
NexT 30/30/20 4gp ss	9541540000

Type	Order No.
NexT 38/26/16 0gp 7032	9523600000
NexT 38/26/16 1gp 7032	9522900000
NexT 38/26/16 2gp 7032	9507750000
NexT 38/26/16 3gp 7032	9523040000
NexT 38/26/16 4gp 7032	9507820000
NexT 38/26/16 0gp ss	9523460000
NexT 38/26/16 1gp ss	9522620000
NexT 38/26/16 2gp ss	9508560000
NexT 38/26/16 3gp ss	9522760000
NexT 38/26/16 4gp ss	9508630000

Type	Order No.
NexT 38/26/20 0gp 7032	9523670000
NexT 38/26/20 1gp 7032	9522970000
NexT 38/26/20 2gp 7032	9507890000
NexT 38/26/20 3gp 7032	9523110000
NexT 38/26/20 4gp 7032	9507960000
NexT 38/26/20 0gp ss	9523530000
NexT 38/26/20 1gp ss	9522690000
NexT 38/26/20 2gp ss	9508700000
NexT 38/26/20 3gp ss	9522830000
NexT 38/26/20 4gp ss	9508770000

Type	Qty.	Order No.
MP NexT 30/30 2000	1	9513380000
MP NexT 30/30 ss	1	9513330000
SP 15	1	3896100000
SP 20	1	3896200000
SP 30	1	3896300000
Hasp	1	9509130000
Padlock	1	9509140000
ISK 10.0x126	10	9008940000
SK 10.0x125	10	9009070000

Type	Qty.	Order No.
MP NexT 38/26 2000	5	9515520000
MP NexT 38/26 ss	5	9515380000
SP 15	1	3896100000
SP 20	1	3896200000
SP 30	1	3896300000
Hasp	1	9509130000
Padlock	1	9509140000
ISK 10.0x126	10	9008940000
SK 10.0x125	10	9009070000

Type	Qty.	Order No.
MP NexT 38/26 2000	5	9515520000
MP NexT 38/26 ss	5	9515380000
SP 15	1	3896100000
SP 20	1	3896200000
SP 30	1	3896300000
Hasp	1	9509130000
Padlock	1	9509140000
ISK 10.0x126	10	9008940000
SK 10.0x125	10	9009070000

For screwdrivers see chapter Tools, Page N.54 ff.

For screwdrivers see chapter Tools, Page N.54 ff.

For screwdrivers see chapter Tools, Page N.54 ff.

Articles with coloured order number are kept permanently in stock at the central warehouse in Germany. Delivery times see page X.2

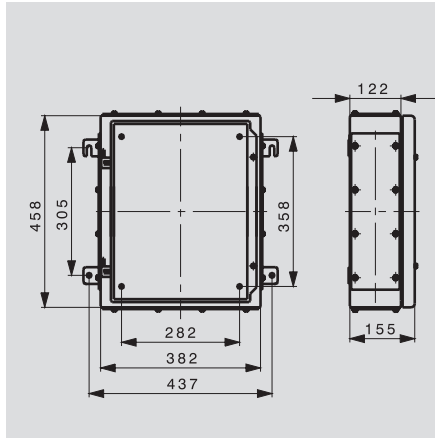
NexT-Series

Sheet steel enclosures IP67



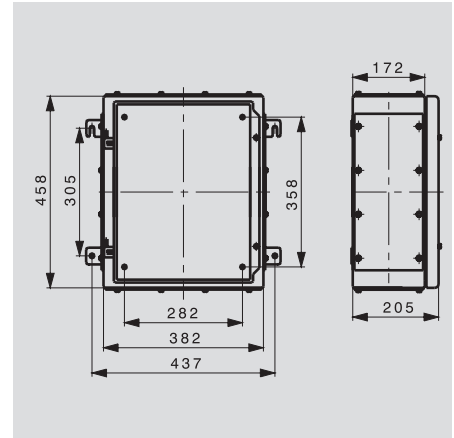
Length x Width x Height mm

NexT 45/38/16



458 x 382 x 160

NexT 45/38/20



458 x 382 x 205

Technical data

Dimensions	
Inner height	mm
Weight	g
Cable entries	
M16	
M20	
M25	
M32	
M40	
M50	
Terminal equipment	
WDU 2.5 / ZDU 2.5	
WDU 4 / ZDU 4	
WDU 6 / ZDU 6	
WDU 10 / ZDU 10	
Information	

100	
9750	
Top / Bottom	Left / Right
41	41
22	22
18	18
7	7
5	5
4	4
207	
174	
144	
105	
The horizontal spacing of the fixing lugs is reduced by 30mm in the versions without gland plates on the sides	

145	
10250	
Top / Bottom	Left / Right
68	68
42	42
27	27
14	14
10	10
4	4
207	
174	
144	
105	
The horizontal spacing of the fixing lugs is reduced by 30mm in the versions without gland plates on the sides	

Ordering data

Painted	
Without gland	
1 gland plate, bottom	
2 gland plates, bottom and top	
3 gland plates, bottom, right, and left	
4 gland plates, all sides	
Stainless steel	
Without gland	
1 gland plate, bottom	
2 gland plates, bottom and top	
3 gland plates, bottom, right, and left	
4 gland plates, all sides	
Information	

Type	
NexT 45/38/16 0gp 7032	9533570000
NexT 45/38/16 1gp 7032	9533580000
NexT 45/38/16 2gp 7032	9533590000
NexT 45/38/16 3gp 7032	9533600000
NexT 45/38/16 4gp 7032	9533610000
NexT 45/38/16 0gp ss	9539830000
NexT 45/38/16 1gp ss	9539840000
NexT 45/38/16 2gp ss	9539850000
NexT 45/38/16 3gp ss	9539860000
NexT 45/38/16 4gp ss	9539870000

Type	
NexT 45/38/20 0gp 7032	9541050000
NexT 45/38/20 1gp 7032	9541060000
NexT 45/38/20 2gp 7032	9541070000
NexT 45/38/20 3gp 7032	9541080000
NexT 45/38/20 4gp 7032	9541090000
NexT 45/38/20 0gp ss	9541550000
NexT 45/38/20 1gp ss	9541560000
NexT 45/38/20 2gp ss	9541570000
NexT 45/38/20 3gp ss	9541580000
NexT 45/38/20 4gp ss	9541590000

Accessories

Mounting plate	
Painted, RAL 2000	
Stainless steel	
Spacer M6	
Set of 2 pieces each	15 mm
	20 mm
	30 mm
Other accessories	
Hasp	
Padlock, brass, with 2 keys	
Screw driver, hexagon 10 mm, insulated	
Screw driver, hexagon 10 mm, non-insulated	
Information	

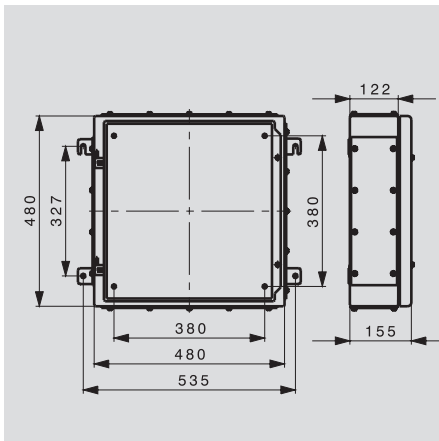
Type	Qty.	Order No.
MP NexT 45/38 2000	1	9513390000
MP NexT 45/38 ss	1	9513340000
SP 15	1	3896100000
SP 20	1	3896200000
SP 30	1	3896300000
Hasp	1	9509130000
Padlock	1	9509140000
ISK 10.0x126	10	9008940000
SK 10.0x125	10	9009070000
For screwdrivers see chapter Tools, Page N.54 ff.		

Type	Qty.	Order No.
MP NexT 45/38 2000	1	9513390000
MP NexT 45/38 ss	1	9513340000
SP 15	1	3896100000
SP 20	1	3896200000
SP 30	1	3896300000
Hasp	1	9509130000
Padlock	1	9509140000
ISK 10.0x126	10	9008940000
SK 10.0x125	10	9009070000
For screwdrivers see chapter Tools, Page N.54 ff.		

Articles with coloured order number are kept permanently in stock at the central warehouse in Germany. Delivery times see page X.2

NexT-Series

NexT 48/48/16



480 x 480 x 160

100
10400

Top / Bottom	Left / Right
48	41 / 48
26	22 / 26
20	18 / 20
8	7 / 8
6	5 / 6
5	4 / 5

292
244
184
148

The horizontal spacing of the fixing lugs is reduced by 30mm in the versions without gland plates on the sides

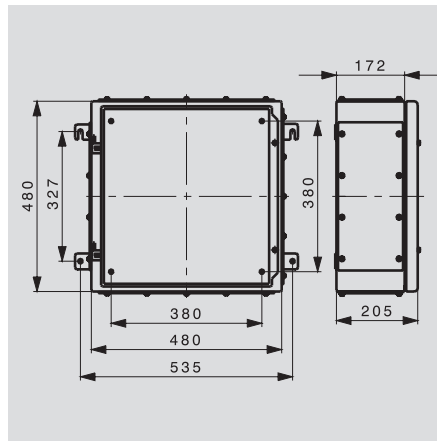
Type

NexT 48/48/16 0gp 7032	9533620000
NexT 48/48/16 1gp 7032	9533630000
NexT 48/48/16 2gp 7032	9533640000
NexT 48/48/16 3gp 7032	9533650000
NexT 48/48/16 4gp 7032	9533660000
NexT 48/48/16 0gp ss	9539880000
NexT 48/48/16 1gp ss	9539890000
NexT 48/48/16 2gp ss	9539900000
NexT 48/48/16 3gp ss	9539910000
NexT 48/48/16 4gp ss	9539920000

Type	Qty.	Order No.
MP NexT 48/48 2000	1	9518190000
MP NexT 48/48 ss	1	9518180000
SP 15	1	3896100000
SP 20	1	3896200000
SP 30	1	3896300000
Hasp	1	9509130000
Padlock	1	9509140000
ISK 10.0x126	10	9008940000
SK 10.0x125	10	9009070000

For screwdrivers see chapter Tools, Page N.54 ff.

NexT 48/48/20



480 x 480 x 205

145
10900

Top / Bottom	Left / Right
80	68 / 80
52	42 / 52
30	27 / 30
16	14 / 16
12	10 / 12
5	4 / 5

292
244
184
148

The horizontal spacing of the fixing lugs is reduced by 30mm in the versions without gland plates on the sides

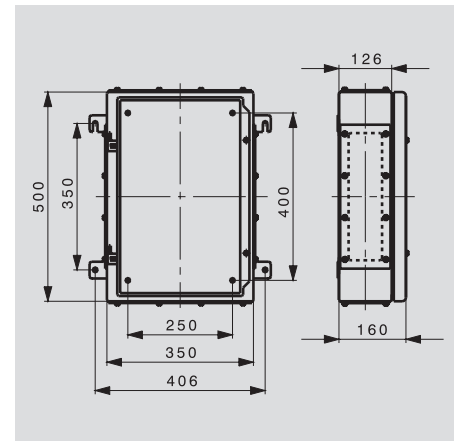
Type

NexT 48/48/20 0gp 7032	9541100000
NexT 48/48/20 1gp 7032	9541110000
NexT 48/48/20 2gp 7032	9541120000
NexT 48/48/20 3gp 7032	9541130000
NexT 48/48/20 4gp 7032	9541140000
NexT 48/48/20 0gp ss	9541600000
NexT 48/48/20 1gp ss	9541610000
NexT 48/48/20 2gp ss	9541620000
NexT 48/48/20 3gp ss	9541630000
NexT 48/48/20 4gp ss	9541640000

Type	Qty.	Order No.
MP NexT 48/48 2000	1	9518190000
MP NexT 48/48 ss	1	9518180000
SP 15	1	3896100000
SP 20	1	3896200000
SP 30	1	3896300000
Hasp	1	9509130000
Padlock	1	9509140000
ISK 10.0x126	10	9008940000
SK 10.0x125	10	9009070000

For screwdrivers see chapter Tools, Page N.54 ff.

NexT 50/35/16



500 x 350 x 160

100
10500

Top / Bottom	Left / Right
36	36
20	20
16	16
6	6
5	5
4	4

243
201
153
123

The horizontal spacing of the fixing lugs is reduced by 30mm in the versions without gland plates on the sides

Type

NexT 50/35/16 0gp 7032	9523610000
NexT 50/35/16 1gp 7032	9522910000
NexT 50/35/16 2gp 7032	9507760000
NexT 50/35/16 3gp 7032	9523050000
NexT 50/35/16 4gp 7032	9507830000
NexT 50/35/16 0gp ss	9523470000
NexT 50/35/16 1gp ss	9522630000
NexT 50/35/16 2gp ss	9508570000
NexT 50/35/16 3gp ss	9522770000
NexT 50/35/16 4gp ss	9508640000

Type	Qty.	Order No.
MP NexT 50/35 2000	5	9515510000
MP NexT 50/35 ss	5	9515370000
SP 15	1	3896100000
SP 20	1	3896200000
SP 30	1	3896300000
Hasp	1	9509130000
Padlock	1	9509140000
ISK 10.0x126	10	9008940000
SK 10.0x125	10	9009070000

For screwdrivers see chapter Tools, Page N.54 ff.

Articles with coloured order number are kept permanently in stock at the central warehouse in Germany.
Delivery times see page X.2

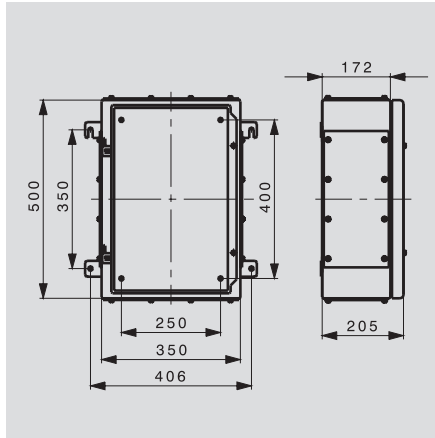
NexT-Series

Sheet steel enclosures IP67



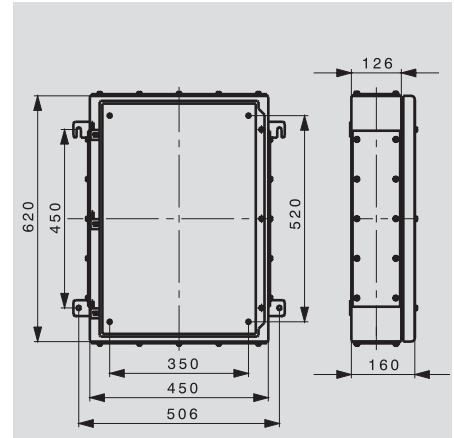
Length x Width x Height mm

NexT 50/35/20



500 x 350 x 205

NexT 62/45/16



620 x 450 x 160

Technical data

Dimensions	
Inner height	mm
Weight	g
Cable entries	
M16	
M20	
M25	
M32	
M40	
M50	
Terminal equipment	
WDU 2.5 / ZDU 2.5	
WDU 4 / ZDU 4	
WDU 6 / ZDU 6	
WDU 10 / ZDU 10	
Information	

145	
10000	
Top / Bottom	Left / Right
60	60
38	38
24	24
12	12
10	10
4	4
243	
201	
153	
123	
The horizontal spacing of the fixing lugs is reduced by 30mm in the versions without gland plates on the sides	

100	
17000	
Top / Bottom	Left / Right
48	48
26	26
20	20
8	8
6	6
5	5
396	
344	
252	
200	
The horizontal spacing of the fixing lugs is reduced by 30mm in the versions without gland plates on the sides	

Ordering data

Painted	
Without gland	
1 gland plate, bottom	
2 gland plates, bottom and top	
3 gland plates, bottom, right, and left	
4 gland plates, all sides	
Stainless steel	
Without gland	
1 gland plate, bottom	
2 gland plates, bottom and top	
3 gland plates, bottom, right, and left	
4 gland plates, all sides	
Information	

Type	
NexT 50/35/20 0gp 7032	9523680000
NexT 50/35/20 1gp 7032	9522980000
NexT 50/35/20 2gp 7032	9507900000
NexT 50/35/20 3gp 7032	9523120000
NexT 50/35/20 4gp 7032	9507970000
NexT 50/35/20 0gp ss	9523540000
NexT 50/35/20 1gp ss	9522700000
NexT 50/35/20 2gp ss	9508710000
NexT 50/35/20 3gp ss	9522840000
NexT 50/35/20 4gp ss	9508780000

Type	
NexT 62/45/16 0gp 7032	9523620000
NexT 62/45/16 1gp 7032	9522920000
NexT 62/45/16 2gp 7032	9507770000
NexT 62/45/16 3gp 7032	9523060000
NexT 62/45/16 4gp 7032	9507840000
NexT 62/45/16 0gp ss	9523480000
NexT 62/45/16 1gp ss	9522640000
NexT 62/45/16 2gp ss	9508580000
NexT 62/45/16 3gp ss	9522780000
NexT 62/45/16 4gp ss	9508650000

Accessories

Mounting plate	
Painted, RAL 2000	
Stainless steel	
Spacer M6	
Set of 2 pieces each	15 mm
	20 mm
	30 mm
Other accessories	
Hasp	
Padlock, brass, with 2 keys	
Screw driver, hexagon 10 mm, insulated	
Screw driver, hexagon 10 mm, non-insulated	
Information	

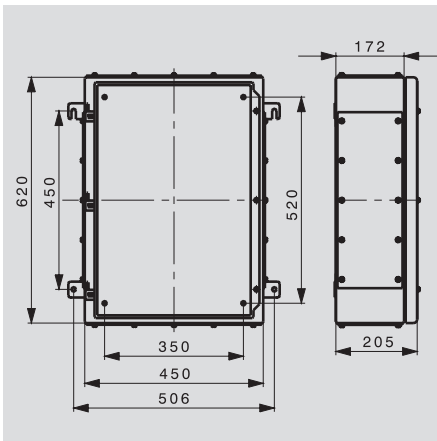
Type	Qty.	Order No.
MP NexT 50/35 2000	5	9515510000
MP NexT 50/35 ss	5	9515370000
SP 15	1	3896100000
SP 20	1	3896200000
SP 30	1	3896300000
Hasp	1	9509130000
Padlock	1	9509140000
ISK 10.0x126	10	9008940000
SK 10.0x125	10	9009070000
For screwdrivers see chapter Tools, Page N.54 ff.		

Type	Qty.	Order No.
MP NexT 62/45 2000	5	9515500000
MP NexT 62/45 ss	5	9515360000
SP 15	1	3896100000
SP 20	1	3896200000
SP 30	1	3896300000
Hasp	1	9509130000
Padlock	1	9509140000
ISK 10.0x126	10	9008940000
SK 10.0x125	10	9009070000
For screwdrivers see chapter Tools, Page N.54 ff.		

Articles with coloured order number are kept permanently in stock at the central warehouse in Germany. Delivery times see page X.2

NexT-Series

NexT 62/45/20



620 x 450 x 205

145
17600

Top / Bottom	Left / Right
80	80
52	52
30	30
16	16
12	12
5	5

396
344
252
200

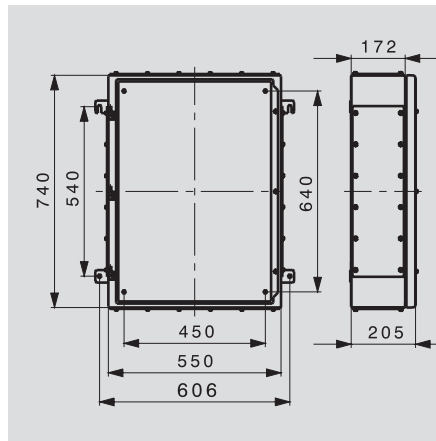
The horizontal spacing of the fixing lugs is reduced by 30mm in the versions without gland plates on the sides

Type	Order No.
NexT 62/45/20 0gp 7032	9523690000
NexT 62/45/20 1gp 7032	9522990000
NexT 62/45/20 2gp 7032	9507910000
NexT 62/45/20 3gp 7032	9523130000
NexT 62/45/20 4gp 7032	9507980000
NexT 62/45/20 0gp ss	9523550000
NexT 62/45/20 1gp ss	9522710000
NexT 62/45/20 2gp ss	9508720000
NexT 62/45/20 3gp ss	9522850000
NexT 62/45/20 4gp ss	9508790000

Type	Qty.	Order No.
MP NexT 62/45 2000	5	9515500000
MP NexT 62/45 ss	5	9515360000
SP 15	1	3896100000
SP 20	1	3896200000
SP 30	1	3896300000
Hasp	1	9509130000
Padlock	1	9509140000
ISK 10.0x126	10	9008940000
SK 10.0x125	10	9009070000

For screwdrivers see chapter Tools, Page N.54 ff.

NexT 74/55/20



740 x 550 x 205

145
23500

Top / Bottom	Left / Right
103	103
64	64
39	39
20	20
16	16
6	6

610
510
385
310

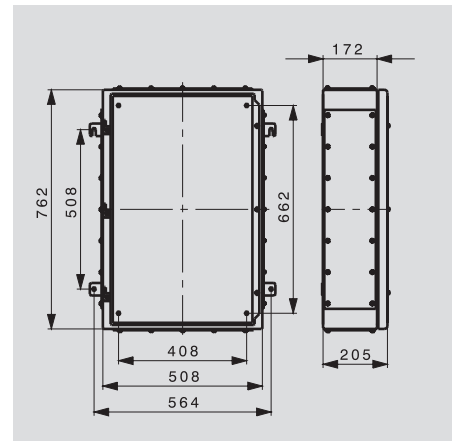
The horizontal spacing of the fixing lugs is reduced by 30mm in the versions without gland plates on the sides

Type	Order No.
NexT 74/55/20 0gp 7032	9523700000
NexT 74/55/20 1gp 7032	9523000000
NexT 74/55/20 2gp 7032	9507920000
NexT 74/55/20 3gp 7032	9523140000
NexT 74/55/20 4gp 7032	9507990000
NexT 74/55/20 0gp ss	9523560000
NexT 74/55/20 1gp ss	9522720000
NexT 74/55/20 2gp ss	9508730000
NexT 74/55/20 3gp ss	9522860000
NexT 74/55/20 4gp ss	9508800000

Type	Qty.	Order No.
MP NexT 74/55 2000	5	9515490000
MP NexT 74/55 ss	5	9515350000
SP 15	1	3896100000
SP 20	1	3896200000
SP 30	1	3896300000
Hasp	1	9509130000
Padlock	1	9509140000
ISK 10.0x126	10	9008940000
SK 10.0x125	10	9009070000

For screwdrivers see chapter Tools, Page N.54 ff.

NexT 76/50/20



762 x 508 x 205

145
24000

Top / Bottom	Left / Right
90	120
56	76
33	48
18	24
14	20
6	8

504
424
320
256

The horizontal spacing of the fixing lugs is reduced by 30mm in the versions without gland plates on the sides

Type	Order No.
NexT 76/50/20 0gp 7032	9541150000
NexT 76/50/20 1gp 7032	9541160000
NexT 76/50/20 2gp 7032	9541170000
NexT 76/50/20 3gp 7032	9541180000
NexT 76/50/20 4gp 7032	9541190000
NexT 76/50/20 0gp ss	9541650000
NexT 76/50/20 1gp ss	9541660000
NexT 76/50/20 2gp ss	9541670000
NexT 76/50/20 3gp ss	9541680000
NexT 76/50/20 4gp ss	9541690000

Type	Qty.	Order No.
MP NexT 76/50 2000	1	9513400000
MP NexT 76/50 ss	1	9513350000
SP 15	1	3896100000
SP 20	1	3896200000
SP 30	1	3896300000
Hasp	1	9509130000
Padlock	1	9509140000
ISK 10.0x126	10	9008940000
SK 10.0x125	10	9009070000

For screwdrivers see chapter Tools, Page N.54 ff.

Articles with coloured order number are kept permanently in stock at the central warehouse in Germany.
Delivery times see page X.2

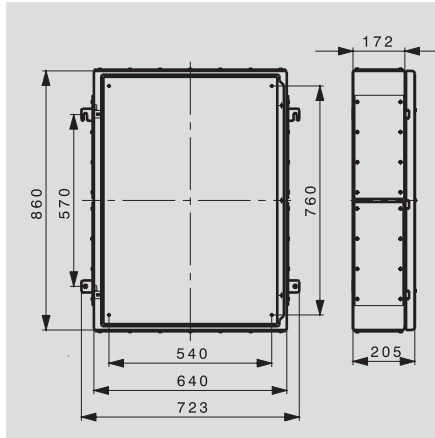
NexT-Series

Sheet steel enclosures IP67



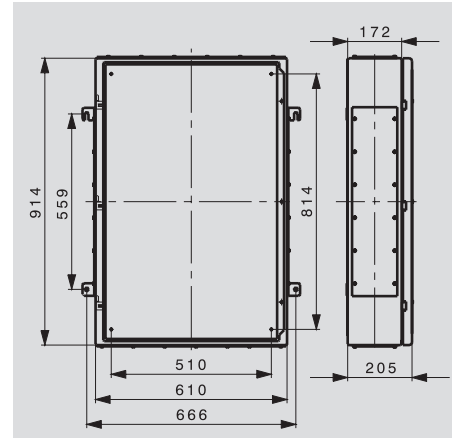
Length x Width x Height mm

NexT 86/64/20



860 x 640 x 205

NexT 91/61/20



914 x 610 x 205

Technical data

Dimensions	
Inner height	mm
Weight	g
Cable entries	
M16	
M20	
M25	
M32	
M40	
M50	
Terminal equipment	
WDU 2.5 / ZDU 2.5	
WDU 4 / ZDU 4	
WDU 6 / ZDU 6	
WDU 10 / ZDU 10	
Information	

Top / Bottom	Left / Right
120	120
76	76
48	48
24	24
20	20
8	8
870	
732	
552	
444	

The horizontal spacing of the fixing lugs is reduced by 30mm in the versions without gland plates on the sides

Top / Bottom	Left / Right
115	115
72	72
45	45
24	24
18	18
7	7
780	
650	
490	
395	

The horizontal spacing of the fixing lugs is reduced by 30mm in the versions without gland plates on the sides

Ordering data

Painted	
Without gland	
1 gland plate, bottom	
2 gland plates, bottom and top	
3 gland plates, bottom, right, and left	
4 gland plates, all sides	
Stainless steel	
Without gland	
1 gland plate, bottom	
2 gland plates, bottom and top	
3 gland plates, bottom, right, and left	
4 gland plates, all sides	
Information	

Type	Order No.
NexT 86/64/20 0gp 7032	9523710000
NexT 86/64/20 1gp 7032	9523010000
NexT 86/64/20 2gp 7032	9507930000
NexT 86/64/20 5gp 7032	9523150000
NexT 86/64/20 6gp 7032	9508000000
NexT 86/64/20 0gp ss	9523570000
NexT 86/64/20 1gp ss	9522730000
NexT 86/64/20 2gp ss	9508740000
NexT 86/64/20 5gp ss	9522870000
NexT 86/64/20 6gp ss	9508810000

Type	Order No.
NexT 91/61/20 0gp 7032	9541200000
NexT 91/61/20 1gp 7032	9541210000
NexT 91/61/20 2gp 7032	9541220000
NexT 91/61/20 3gp 7032	9541230000
NexT 91/61/20 4gp 7032	9541240000
NexT 91/61/20 0gp ss	9541700000
NexT 91/61/20 1gp ss	9541710000
NexT 91/61/20 2gp ss	9541720000
NexT 91/61/20 3gp ss	9541730000
NexT 91/61/20 4gp ss	9541740000

Accessories

Mounting plate	
Painted, RAL 2000	
Stainless steel	
Spacer M6	
Set of 2 pieces each	15 mm
	20 mm
	30 mm
Other accessories	
Hasp	
Padlock, brass, with 2 keys	
Screw driver, hexagon 10 mm, insulated	
Screw driver, hexagon 10 mm, non-insulated	
Information	

Type	Qty.	Order No.
MP NexT 86/64 2000	5	9515480000
MP NexT 86/64 ss	5	9515340000
SP 15	1	3896100000
SP 20	1	3896200000
SP 30	1	3896300000
Hasp	1	9509130000
Padlock	1	9509140000
ISK 10.0x126	10	9008940000
SK 10.0x125	10	9009070000

For screwdrivers see chapter Tools, Page N.54 ff.

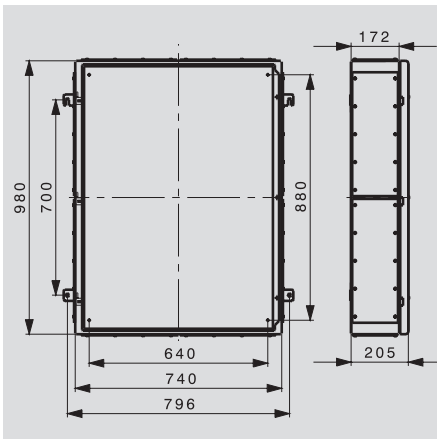
Type	Qty.	Order No.
MP NexT 91/61 2000	1	9513410000
MP NexT 91/61 ss	1	9513360000
SP 15	1	3896100000
SP 20	1	3896200000
SP 30	1	3896300000
Hasp	1	9509130000
Padlock	1	9509140000
ISK 10.0x126	10	9008940000
SK 10.0x125	10	9009070000

For screwdrivers see chapter Tools, Page N.54 ff.

Articles with coloured order number are kept permanently in stock at the central warehouse in Germany. Delivery times see page X.2

NexT-Series

NexT 98/74/20



980 x 740 x 205

145
38000

Top / Bottom	Left / Right
120	160
76	104
48	60
24	32
20	24
8	10

1176
987
749
602

The horizontal spacing of the fixing lugs is reduced by 30mm in the versions without gland plates on the sides

Type	Order No.
NexT 98/74/20 0gp 7032	9523720000
NexT 98/74/20 2gp 7032	9523020000
NexT 98/74/20 4gp 7032	9507940000
NexT 98/74/20 6gp 7032	9523160000
NexT 98/74/20 8gp 7032	9508010000
NexT 98/74/20 0gp ss	9523580000
NexT 98/74/20 2gp ss	9522740000
NexT 98/74/20 4gp ss	9508750000
NexT 98/74/20 6gp ss	9522880000
NexT 98/74/20 8gp ss	9508820000

Type	Qty.	Order No.
MP NexT 98/74 2000	5	9515470000
MP NexT 98/74 ss	5	9515330000
SP 15	1	3896100000
SP 20	1	3896200000
SP 30	1	3896300000
Hasp	1	9509130000
Padlock	1	9509140000
ISK 10.0x126	10	9008940000
SK 10.0x125	10	9009070000

For screwdrivers see chapter Tools, Page N.54 ff.

Articles with coloured order number are kept permanently in stock at the central warehouse in Germany.
Delivery times see page X.2