

Q-Series

Sheet steel enclosures

Weidmüller produces the Q-Series enclosures specially for the needs of the machine builder and the automotive industry.

The advantages of this series are its simplicity and ease of access to its interior.

Features:

- 29 sizes in 2 material versions
- Lid with concealed hinges
- Lid can be fitted left or right
- Lid lock incl. mounting plate
- Gland plate in base

Our assembly service can supply these enclosures pre-assembled with terminals and cable glands according to customer requirements.



Technical data

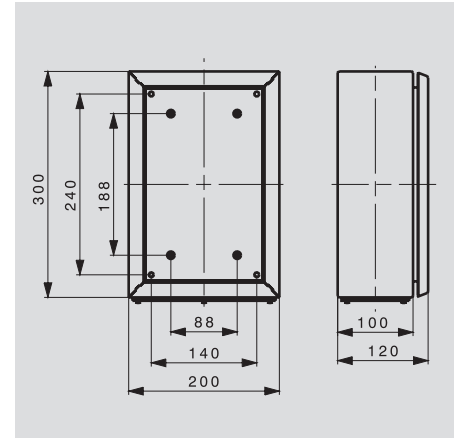
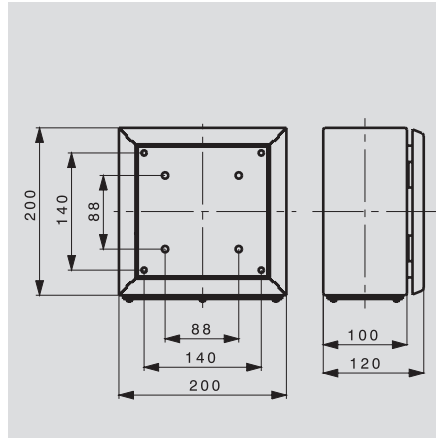
Material	Sheet steel 1.2 mm (18 SWG) Stainless steel 1.4301 (304)
Surface	Painted sheet steel, textured, similar to RAL 7032 Stainless steel, brushed
Gasket	Foamed polyurethane
Lid fixing	2 or 3 hinges / 1 or 2 90° two-way locks
Gland plate	1 or 2 gland plates in base
Earthing	M 6 stud in base and lid
Enclosure mounting	Holes through back of enclosure or using external fixing lugs
Equipment mounting	4 or 6 M 6 studs for mounting rails or mounting plates
Protection class	IP 65
Temperature range	-20°C to +80°C

Q-Series

Sheet steel enclosures for industry

Q 20/20/12

Q 30/20/12



Length x Width x Height mm

200 x 200 x 120

300 x 200 x 120

Technical data

Dimensions	
Inner height	mm
Weight	g
Cable entries	
M16	
M20	
M25	
M32	
M40	
M50	
Terminal equipment	
WDU 2.5 / ZDU 2.5	
WDU 4 / ZDU 4	
WDU 6 / ZDU 6	
WDU 10 / ZDU 10	
WDU 16 / ZDU 16	
WDU 35 / ZDU 35	

88	
2221	
Bottom	
12	
10	
4	
3	
2	
13	
11	
8	
7	
5	
4	

88	
2940	
Bottom	
12	
10	
4	
3	
2	
32	
27	
20	
16	
14	
10	

Information

Ordering data

Painted	
Stainless steel	
Information	

Type	
QM 20/20/12 7032	9526220000
QS 20/20/12 ss	9527170000
Information	

Type	
QM 30/20/12 7032	9526230000
QS 30/20/12 ss	9527180000
Information	

Accessories

Mounting plate	
Painted, RAL 2000	
Spacer M6	
Set of 2 pieces each	15 mm
	20 mm
	30 mm
Fixing lugs	
Set of 4 pieces each	Painted
	Stainless steel

Type	Qty.	Order No.
MP Q 20/20	1	9524400000
SP 15	1	3896100000
SP 20	1	3896200000
SP 30	1	3896300000
MF Q ms	4	9526410000
MF Q ss	4	9527310000

Type	Qty.	Order No.
MP Q 30/20	1	9526340000
SP 15	1	3896100000
SP 20	1	3896200000
SP 30	1	3896300000
MF Q ms	4	9526410000
MF Q ss	4	9527310000

Information

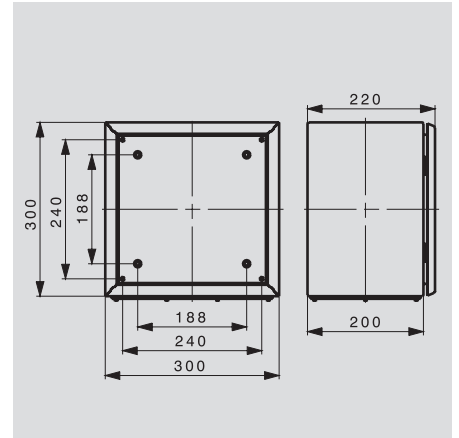
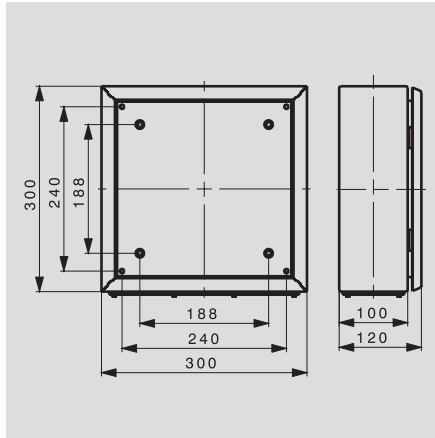
Articles with coloured order number are kept permanently in stock at the central warehouse in Germany.
Delivery times see page X.2

Q-Series

Sheet steel enclosures for industry

Q 30/30/12

Q 30/30/22



Length x Width x Height mm

300 x 300 x 120

300 x 300 x 220

Technical data

Dimensions	
Inner height	mm
Weight	g
Cable entries	
M16	
M20	
M25	
M32	
M40	
M50	
Terminal equipment	
WDU 2.5 / ZDU 2,5	
WDU 4 / ZDU 4	
WDU 6 / ZDU 6	
WDU 10 / ZDU 10	
WDU 16 / ZDU 16	
WDU 35 / ZDU 35	

88	
3822	
Bottom	
20	
16	
6	
5	
4	
64	
54	
40	
17	
28	
20	

188	
5172	
Bottom	
70	
45	
24	
15	
11	
6	
64	
54	
40	
17	
28	
20	

Information

Ordering data

Painted	
Stainless steel	
Information	

Type	
QM 30/30/12 7032	9526240000
QS 30/30/12 ss	9527190000
Information	

Type	
QM332 PAINTED-BOX	9526280000
QS 30/30/22 ss	9527240000
Information	

Accessories

Mounting plate	
Painted, RAL 2000	
Spacer M6	
Set of 2 pieces each	15 mm
	20 mm
	30 mm
Fixing lugs	
Set of 4 pieces each	Painted
	Stainless steel

Type	Qty.	Order No.
MP Q 30/30	1	9526350000
SP 15	1	3896100000
SP 20	1	3896200000
SP 30	1	3896300000
MF Q ms	4	9526410000
MF Q ss	4	9527310000

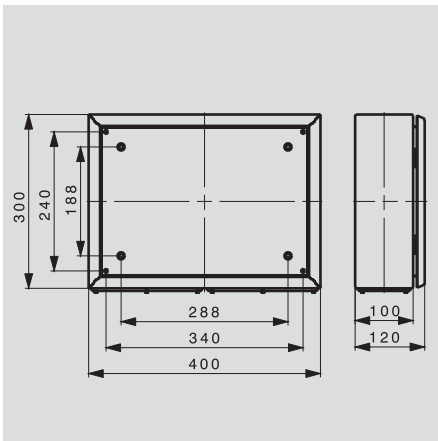
Type	Qty.	Order No.
MP Q 30/30	1	9526350000
SP 15	1	3896100000
SP 20	1	3896200000
SP 30	1	3896300000
MF Q ms	4	9526410000
MF Q ss	4	9527310000

Information

Articles with coloured order number are kept permanently in stock at the central warehouse in Germany. Delivery times see page X.2

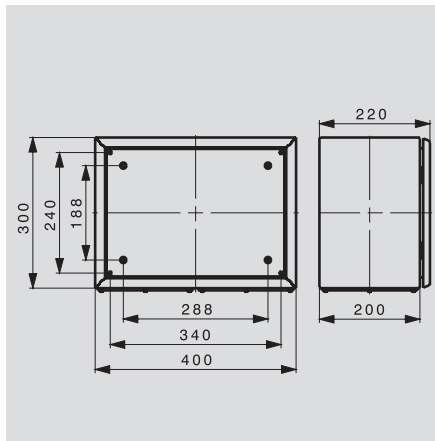
Q-Series

Q 30/40/12



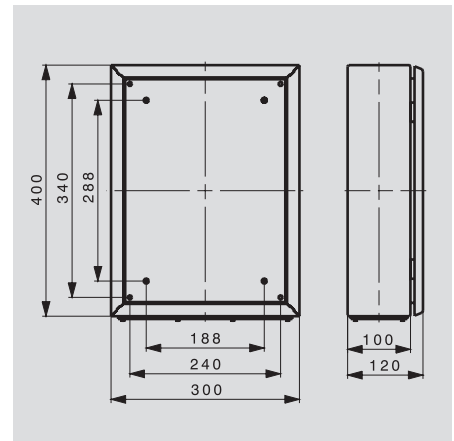
300 x 400 x 120

Q 30/40/22



300 x 400 x 220

Q 40/30/12



400 x 300 x 120

88
4870
Bottom
24
20
8
6
4
96
81
60
48
42
30

188
6253
Bottom
84
54
32
18
12
8
96
81
60
48
42
30

88
4870
Bottom
20
16
6
5
4
104
86
66
52
44
32

Type	
QM 30/40/12 7032	9530240000
QS 30/40/12 ss	9530390000

Type	
QM 30/40/22 7032	9530250000
QS 30/40/22 ss	9530400000

Type	
QM431 PAINTED-BOX	9526250000
QS 40/30/12 ss	9527200000

Type	Qty.	Order No.
MP Q 40/30	1	9526360000
SP 15	1	3896100000
SP 20	1	3896200000
SP 30	1	3896300000
MF Q ms	4	9526410000
MF Q ss	4	9527310000

Type	Qty.	Order No.
MP Q 40/30	1	9526360000
SP 15	1	3896100000
SP 20	1	3896200000
SP 30	1	3896300000
MF Q ms	4	9526410000
MF Q ss	4	9527310000

Type	Qty.	Order No.
MP Q 40/30	1	9526360000
SP 15	1	3896100000
SP 20	1	3896200000
SP 30	1	3896300000
MF Q ms	4	9526410000
MF Q ss	4	9527310000

Articles with coloured order number are kept permanently in stock at the central warehouse in Germany.
Delivery times see page X.2

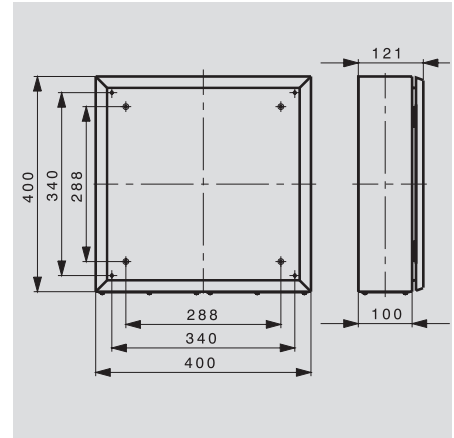
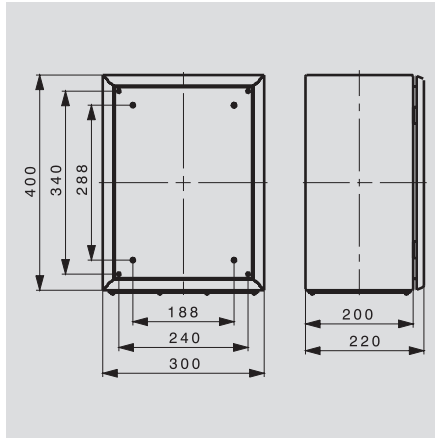
Q-Series

Sheet steel enclosures for industry

Q 40/30/22

Q 40/40/12

Enclosures



Length x Width x Height mm

400 x 300 x 220

400 x 400 x 120

Technical data

Dimensions	
Inner height	mm
Weight	g
Cable entries	
M16	
M20	
M25	
M32	
M40	
M50	
Terminal equipment	
WDU 2.5 / ZDU 2.5	
WDU 4 / ZDU 4	
WDU 6 / ZDU 6	
WDU 10 / ZDU 10	
WDU 16 / ZDU 16	
WDU 35 / ZDU 35	

Bottom	
70	
45	
24	
15	
11	
6	
104	
86	
66	
52	
44	
32	

Bottom	
88	
5600	
24	
20	
8	
6	
4	
156	
129	
99	
78	
66	
48	

Information

Ordering data

Painted
Stainless steel
Information

Type	Order No.
QM 40/30/22 7032	9526290000
QS 40/30/22 ss	9527250000

Type	Order No.
QM 40/40/12 7032	9526420000
QS 40/40/12 ss	9527210000

Accessories

Mounting plate	Qty.	Order No.
Painted, RAL 2000	1	9526360000
Spacer M6		
Set of 2 pieces each	15 mm	3896100000
	20 mm	3896200000
	30 mm	3896300000
Fixing lugs		
Set of 4 pieces each	Painted	9526410000
	Stainless steel	9527310000

Type	Qty.	Order No.
MP Q 40/30	1	9526360000
SP 15	1	3896100000
SP 20	1	3896200000
SP 30	1	3896300000
MF Q ms	4	9526410000
MF Q ss	4	9527310000

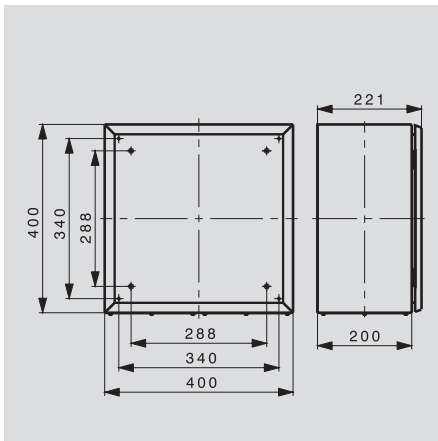
Type	Qty.	Order No.
MP Q 40/40	1	9526450000
SP 15	1	3896100000
SP 20	1	3896200000
SP 30	1	3896300000
MF Q ms	4	9526410000
MF Q ss	4	9527310000

Information

Articles with coloured order number are kept permanently in stock at the central warehouse in Germany. Delivery times see page X.2

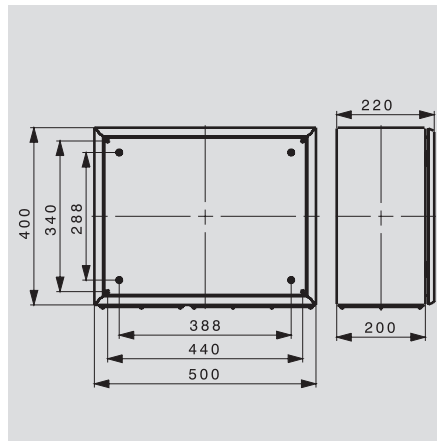
Q-Series

Q 40/40/22



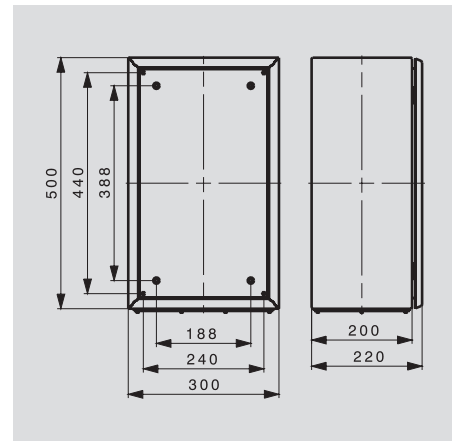
400 x 400 x 220

Q 40/50/22



400 x 500 x 220

Q 50/30/22



500 x 300 x 220

188
8707
Bottom
112
72
40
24
17
10
208
172
132
104
88
64

188
7334
Bottom
70
45
24
15
11
6
142
118
90
72
60
44

188
7334
Bottom
70
45
24
15
11
6
142
118
90
72
60
44

Type	Qty.	Order No.
QM 40/40/22 7032	1	9526430000
QS 40/40/22 ss	1	9527260000

Type	Qty.	Order No.
QM 40/50/22 7032	1	9530260000
QS 40/50/22 ss	1	9530410000

Type	Qty.	Order No.
QM 50/30/22 7032	1	9530270000
QS 50/30/22 ss	1	9530420000

Type	Qty.	Order No.
MP Q 40/40	1	9526450000
SP 15	1	3896100000
SP 20	1	3896200000
SP 30	1	3896300000
MF Q ms	4	9526410000
MF Q ss	4	9527310000

Type	Qty.	Order No.
MP Q 40/50	1	9526370000
SP 15	1	3896100000
SP 20	1	3896200000
SP 30	1	3896300000
MF Q ms	4	9526410000
MF Q ss	4	9527310000

Type	Qty.	Order No.
MP Q 50/30	1	9526470000
SP 15	1	3896100000
SP 20	1	3896200000
SP 30	1	3896300000
MF Q ms	4	9526410000
MF Q ss	4	9527310000

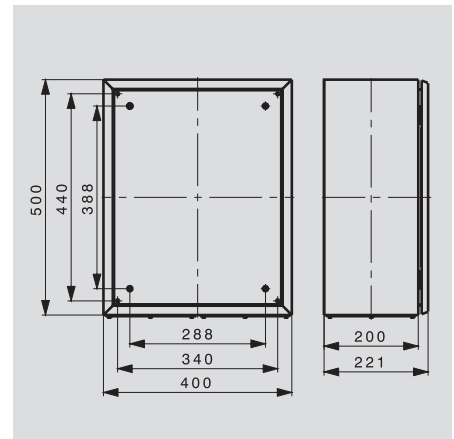
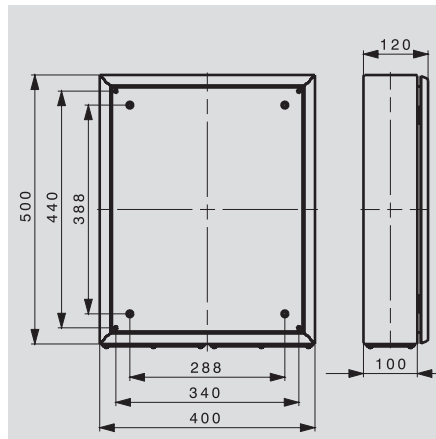
Articles with coloured order number are kept permanently in stock at the central warehouse in Germany.
Delivery times see page X.2

Q-Series

Sheet steel enclosures for industry

Q 50/40/12

Q 50/40/22



Length x Width x Height mm

500 x 400 x 120

500 x 400 x 220

Technical data

Dimensions

Inner height	mm	88
Weight	g	6795

Cable entries

M16	24
M20	20
M25	8
M32	6
M40	4
M50	

Terminal equipment

WDU 2.5 / ZDU 2.5	213
WDU 4 / ZDU 4	177
WDU 6 / ZDU 6	135
WDU 10 / ZDU 10	108
WDU 16 / ZDU 16	90
WDU 35 / ZDU 35	66

Bottom

24
20
8
6
4

Bottom

84
54
32
18
12
8

Information

Ordering data

Painted

Type

QM 50/40/12 7032 **9526260000**

Type

QM 50/40/22 7032 **9526300000**

Stainless steel

QS 50/40/12 ss **9527220000**

QS 50/40/22 ss **9527270000**

Information

Accessories

Mounting plate

Painted, RAL 2000

Type	Qty.	Order No.
MP Q 40/50	1	9526370000

Type	Qty.	Order No.
MP Q 40/50	1	9526370000

Spacer M6

Set of 2 pieces each	15 mm
	20 mm
	30 mm

SP 15	1	3896100000
SP 20	1	3896200000
SP 30	1	3896300000

SP 15	1	3896100000
SP 20	1	3896200000
SP 30	1	3896300000

Fixing lugs

Set of 4 pieces each	Painted
	Stainless steel

MF Q ms	4	9526410000
MF Q ss	4	9527310000

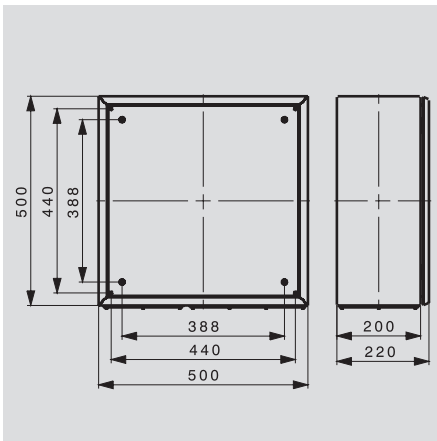
MF Q ms	4	9526410000
MF Q ss	4	9527310000

Information

Articles with coloured order number are kept permanently in stock at the central warehouse in Germany.
Delivery times see page X.2

Q-Series

Q 50/50/22



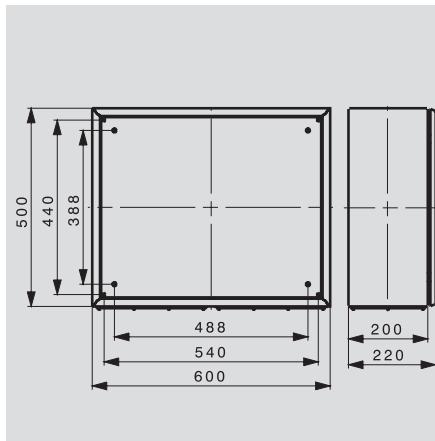
500 x 500 x 220

188
10080
Bottom
112
69
40
24
17
10
284
236
180
144
120
88

Type	
QM 50/50/22 7032	9530280000
QS 50/50/22 ss	9530430000

Type	Qty.	Order No.
MP Q 50/50	1	9526480000
SP 15	1	3896100000
SP 20	1	3896200000
SP 30	1	3896300000
MF Q ms	4	9526410000
MF Q ss	4	9527310000

Q 50/60/22



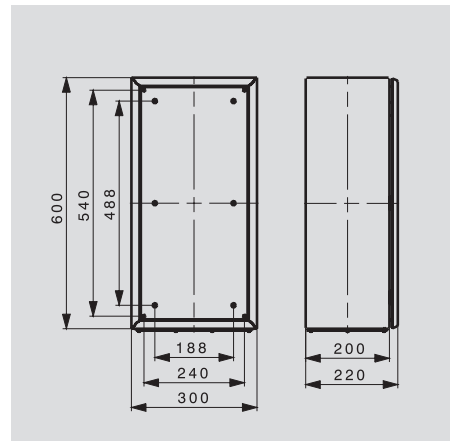
500 x 600 x 220

188
11454
Bottom
140
90
48
30
22
12
355
295
225
180
150
110

Type	
QM 50/60/22 7032	9530290000
QS 50/60/22 ss	9530440000

Type	Qty.	Order No.
MP Q 50/60	1	9526490000
SP 15	1	3896100000
SP 20	1	3896200000
SP 30	1	3896300000
MF Q ms	4	9526410000
MF Q ss	4	9527310000

Q 60/30/22



600 x 300 x 220

188
8415
Bottom
70
45
24
15
11
6
180
152
114
92
76
58

Type	
QM 60/30/22 7032	9530300000
QS 60/30/22 ss	9530450000

Type	Qty.	Order No.
MP Q 60/30	1	9526500000
SP 15	1	3896100000
SP 20	1	3896200000
SP 30	1	3896300000
MF Q ms	4	9526410000
MF Q ss	4	9527310000

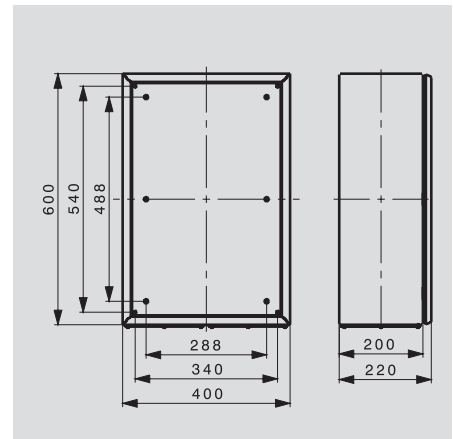
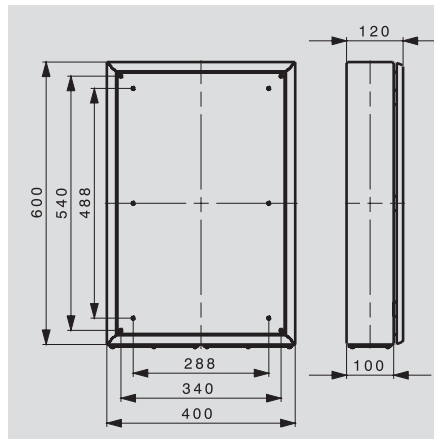
Articles with coloured order number are kept permanently in stock at the central warehouse in Germany.
Delivery times see page X.2

Q-Series

Sheet steel enclosures for industry

Q 60/40/12

Q 60/40/22



Length x Width x Height mm

600 x 400 x 120

600 x 400 x 220

Technical data

Dimensions

Inner height	mm	88
Weight	g	8360

Cable entries

M16	24
M20	20
M25	8
M32	6
M40	4
M50	

Terminal equipment

WDU 2.5 / ZDU 2.5	270
WDU 4 / ZDU 4	228
WDU 6 / ZDU 6	171
WDU 10 / ZDU 10	138
WDU 16 / ZDU 16	114
WDU 35 / ZDU 35	87

Bottom

24
20
8
6
4

Bottom

84
54
32
18
12
8

Information

Ordering data

Painted

Type

QM 60/40/12 7032 **9526270000**

Type

QM 60/40/22 7032 **9526310000**

Stainless steel

QS 60/40/12 ss **9527230000**

QS 60/40/22 ss **9527280000**

Information

Accessories

Mounting plate

Painted, RAL 2000

Type

MP Q 60/40 Qty. 1 **9526380000**

Type

MP Q 60/40 Qty. 1 **9526380000**

Spacer M6

Set of 2 pieces each	15 mm
	20 mm
	30 mm

SP 15	1	3896100000
SP 20	1	3896200000
SP 30	1	3896300000

SP 15	1	3896100000
SP 20	1	3896200000
SP 30	1	3896300000

Fixing lugs

Set of 4 pieces each	Painted
	Stainless steel

MF Q ms	4	9526410000
MF Q ss	4	9527310000

MF Q ms	4	9526410000
MF Q ss	4	9527310000

Information

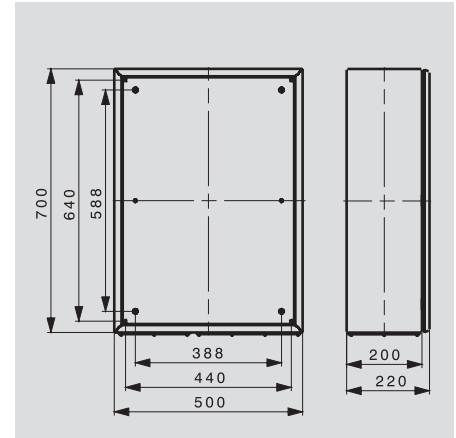
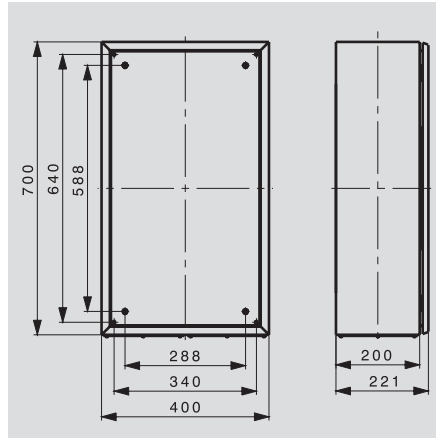
Articles with coloured order number are kept permanently in stock at the central warehouse in Germany.
Delivery times see page X.2

Q-Series

Sheet steel enclosures for industry

Q 70/40/22

Q 70/50/22



Length x Width x Height mm

700 x 400 x 220

700 x 500 x 220

Technical data

Dimensions	
Inner height	mm
Weight	g
Cable entries	
M16	
M20	
M25	
M32	
M40	
M50	
Terminal equipment	
WDU 2.5 / ZDU 2.5	
WDU 4 / ZDU 4	
WDU 6 / ZDU 6	
WDU 10 / ZDU 10	
WDU 16 / ZDU 16	
WDU 35 / ZDU 35	

188	
11162	
Bottom	
84	
54	
32	
18	
12	
8	
327	
276	
207	
168	
138	
105	

188	
12827	
Bottom	
112	
69	
40	
24	
17	
10	
436	
368	
276	
224	
184	
140	

Information

Ordering data

Painted
Stainless steel
Information

Type	QM 70/40/22 7032	9530330000
	QS 70/40/22 ss	9530480000
Information		

Type	QM 70/50/22 7032	9530340000
	QS 70/50/22 ss	9530490000
Information		

Accessories

Mounting plate	Painted, RAL 2000
Spacer M6	
Set of 2 pieces each	15 mm
	20 mm
	30 mm
Fixing lugs	
Set of 4 pieces each	Painted
	Stainless steel
Information	

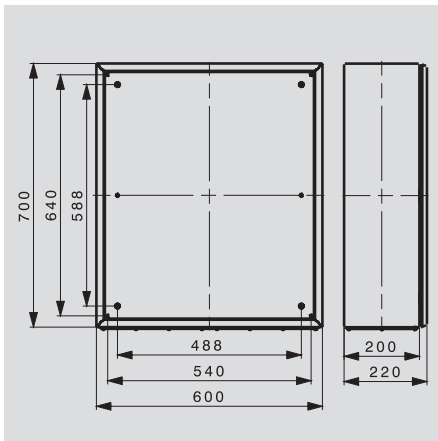
Type	Qty.	Order No.
MP Q 70/40	1	9530570000
SP 15	1	3896100000
SP 20	1	3896200000
SP 30	1	3896300000
MF Q ms	4	9526410000
MF Q ss	4	9527310000
Information		

Type	Qty.	Order No.
MP Q 70/50	1	9530580000
SP 15	1	3896100000
SP 20	1	3896200000
SP 30	1	3896300000
MF Q ms	4	9526410000
MF Q ss	4	9527310000
Information		

Articles with coloured order number are kept permanently in stock at the central warehouse in Germany. Delivery times see page X.2

Q-Series

Q 70/60/22



700 x 600 x 220

188
14493

Bottom

140
90
48
30
22
12

545
460
345
280
230
175

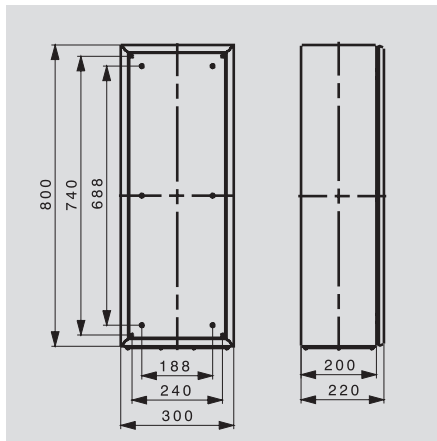
Type

QM 70/60/22 7032 9530350000

QS 70/60/22 ss 9530500000

Type	Qty.	Order No.
MP Q 70/60	1	9530590000
SP 15	1	3896100000
SP 20	1	3896200000
SP 30	1	3896300000
MF Q ms	4	9526410000
MF Q ss	4	9527310000

Q 80/30/22



800 x 300 x 220

188
10577

Bottom

70
45
24
15
11
6

258
216
162
130
110
82

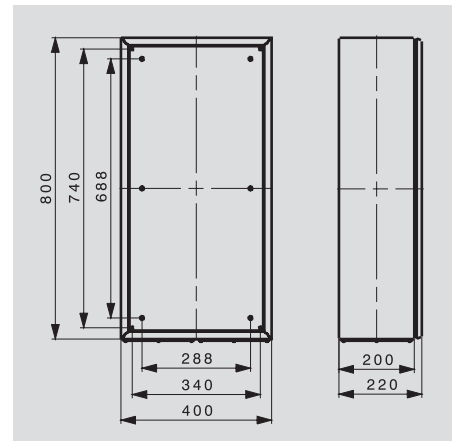
Type

QM 80/30/22 7032 9530360000

QS 80/30/22 ss 9530510000

Type	Qty.	Order No.
MP Q 80/30	1	9530600000
SP 15	1	3896100000
SP 20	1	3896200000
SP 30	1	3896300000
MF Q ms	4	9526410000
MF Q ss	4	9527310000

Q 80/40/22



800 x 400 x 220

188
12389

Bottom

84
54
32
18
12
8

387
324
243
195
165
123

Type

QM 80/40/22 7032 9530370000

QS 80/40/22 ss 9530520000

Type	Qty.	Order No.
MP Q 80/40	1	9530610000
SP 15	1	3896100000
SP 20	1	3896200000
SP 30	1	3896300000
MF Q ms	4	9526410000
MF Q ss	4	9527310000

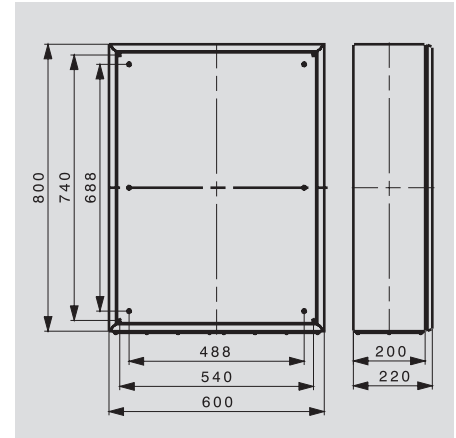
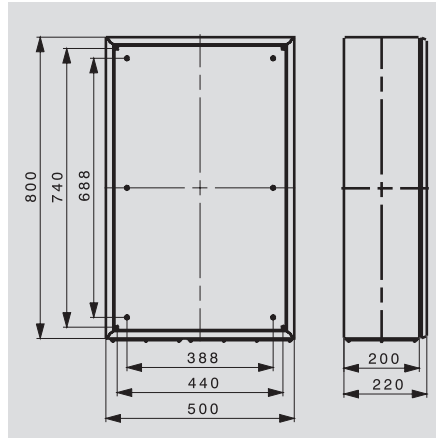
Articles with coloured order number are kept permanently in stock at the central warehouse in Germany.
Delivery times see page X.2

Q-Series

Sheet steel enclosures for industry

Q 80/50/22

Q 80/60/22



Length x Width x Height mm

800 x 500 x 220

800 x 600 x 220

Technical data

Dimensions	
Inner height	mm
Weight	g
Cable entries	
M16	
M20	
M25	
M32	
M40	
M50	
Terminal equipment	
WDU 2.5 / ZDU 2.5	
WDU 4 / ZDU 4	
WDU 6 / ZDU 6	
WDU 10 / ZDU 10	
WDU 16 / ZDU 16	
WDU 35 / ZDU 35	

Bottom	
M16	112
M20	69
M25	40
M32	24
M40	17
M50	10
WDU 2.5 / ZDU 2.5	516
WDU 4 / ZDU 4	432
WDU 6 / ZDU 6	324
WDU 10 / ZDU 10	260
WDU 16 / ZDU 16	220
WDU 35 / ZDU 35	164

Bottom	
M16	140
M20	90
M25	48
M32	30
M40	22
M50	12
WDU 2.5 / ZDU 2.5	645
WDU 4 / ZDU 4	540
WDU 6 / ZDU 6	405
WDU 10 / ZDU 10	325
WDU 16 / ZDU 16	275
WDU 35 / ZDU 35	205

Information

Information

Information

Ordering data

Painted	
Stainless steel	
Information	

Type	
QM 80/50/22 7032	9530380000
QS 80/50/22 ss	9530530000
Information	

Type	
QM 80/60/22 7032	9526320000
QS 80/60/22 ss	9527300000
Information	

Accessories

Mounting plate	
Spacer M6	Painted, RAL 2000
Set of 2 pieces each	15 mm 20 mm 30 mm
Fixing lugs	
Set of 4 pieces each	Painted Stainless steel
Information	

Type	Qty.	Order No.
MP Q 80/50	1	9530620000
SP 15	1	3896100000
SP 20	1	3896200000
SP 30	1	3896300000
MF Q ms	4	9526410000
MF Q ss	4	9527310000
Information		

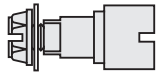
Type	Qty.	Order No.
MP Q 80/60	1	9526390000
SP 15	1	3896100000
SP 20	1	3896200000
SP 30	1	3896300000
MF Q ms	4	9526410000
MF Q ss	4	9527310000
Information		

Articles with coloured order number are kept permanently in stock at the central warehouse in Germany.
Delivery times see page X.2

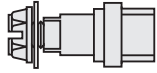
Q-Series

Lock inserts / Handles

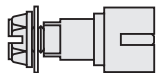
Slot shape



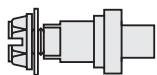
Eastern European (D-Shape)



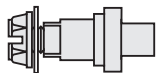
Double Bit Shape



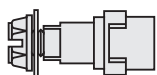
Square 8 mm and 7 mm



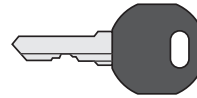
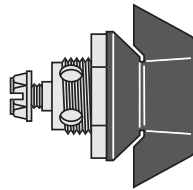
Triangular 8 mm and 7 mm



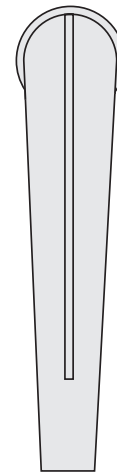
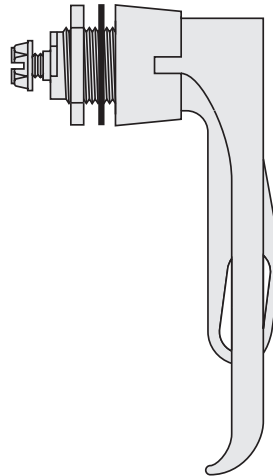
Crown Shape



Wing Knob insert with standard key



L Padlock-Suitable Handle



Ordering data

Lock inserts for Q-Series
(key not included unless stated)

Type	Qty.	Lock	Spare key
Slot shape	1	9533140000	
Eastern European (D-Shape)	1	9533150000	9541760000
Double bit shape 5 mm	1	9533210000	9541820000
Square 8mm	1	9533170000	9541780000
Square 7mm	1	9533180000	9541790000
Triangular 8mm	1	9533190000	9541800000
Triangular 7mm	1	9533200000	9541810000
Crown shape	1	9533160000	9541770000
Wing knob insert with standard key	1	3091430000	9533230000
L padlockable handle	1	9533220000	

Articles with coloured order number are kept permanently in stock at the central warehouse in Germany.
Delivery times see page X.2