

STB-Series

Small sheet steel enclosures

The STB-Series is used as distributor box particularly for light and weighing systems as well as in the building system automation.

The stainless steel versions of its series are recommended for the chemicals and food industry due to the special demands made in these fields.

Features:

- 8 sizes in 2 material versions
- Lid with 4 hexagonal crosshead screws M6
- Internal/External earthing stud
- Fixing lugs

Our assembly service can supply these enclosures pre-assembled with terminals and cable glands according to customer requirements.



Technical data

Material	Sheet steel 1.5 mm
	Stainless steel 1.4404 1.5 mm
Surface	Painted Light grey textured protective paint (similar to RAL 7032)
	Stainless steel Polished, chemically dipped
Gasket	Size 1–4: Chloroprene
	Size 5–6: Silicone HT800
Lid fixing	4 captive hexagonal crosshead screws M 6
Earthing	Internal/External brass earthing stud M 6
Enclosure mounting	External mounting lugs with 8 mm holes
Equipment mounting	TAS 20 rail welded to enclosure base
Protection class	IP 66
Impact resistance	7J
Temperature range	-20°C to +85°C

Approvals

KEMA 02ATEX2087 U

 II 2 GD EEx e II

KEMA 00ATEX8500 X

II 2 G EEx e II

II 2 D T100°C

 II 1 G EEx ia IIC T6

II 2 D T100°C

II 2 (1) G EEx e [ia] IIC T6

II 2 D T100°C

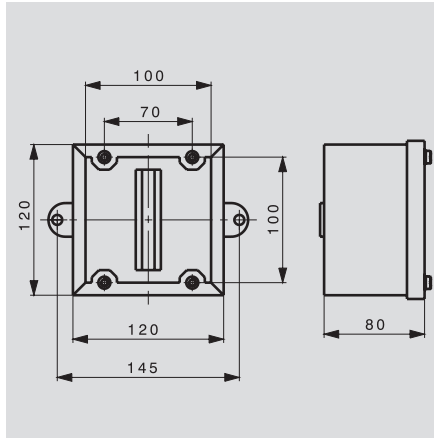
STB-Series

Small sheet steel enclosures



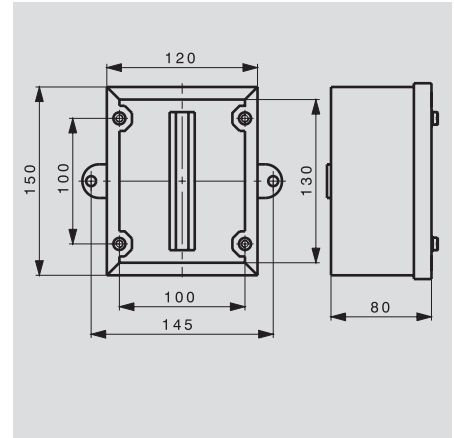
Length x Width x Height mm

STB 1



120 x 120 x 80

STB 1.1



150 x 120 x 80

Technical data

Dimensions

Inner height	mm	65
Weight	g	1400

Cable entries

	Top / Bottom	Left / Right
M16	6	6
M20	3	4
M25	2	2
M32	1	1
M40		1
M50		

Terminal equipment

WDU 2.5 / ZDU 2.5	11
WDU 4 / ZDU 4	9
WDU 6 / ZDU 6	7
WDU 10 / ZDU 10	6

Information

Ordering data

Painted

Type

STB 1 PAINTED **3873100000**

Type

STB1.1 Standardlackierung **9524770000**

Stainless steel

STB 1 S-ST1.4404 **3873300000**

STB 1.1 S/S **9524780000**

Information

Accessories

Screw with nut M5
Screw with nut M4
Screw with nut M3

Type	Qty.	Order No.
SFNS5 VKMU M5 SW16	10	0433500000
SFNS/4	500	0500000000
SFNS/3 STB BOXES	10	3875100000

Type	Qty.	Order No.
SFNS5 VKMU M5 SW16	10	0433500000
SFNS/4	500	0500000000
SFNS/3 STB BOXES	10	3875100000

Information

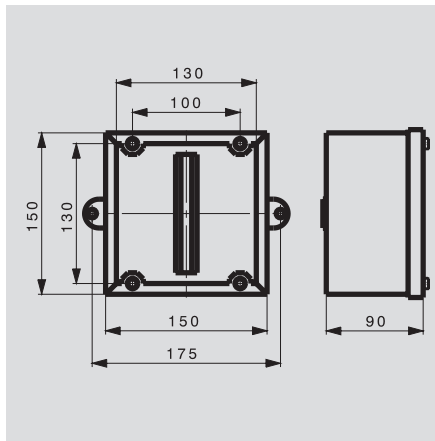
Articles with coloured order number are kept permanently in stock at the central warehouse in Germany.
Delivery times see page X.2

STB-Series

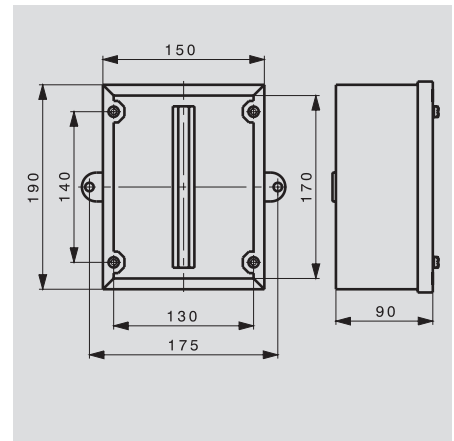
Small sheet steel enclosures



STB 2



STB 2.1



Length x Width x Height mm

150 x 150 x 90

190 x 150 x 90

Technical data

Dimensions

Inner height	mm	75
Weight	g	1900

Cable entries

M16	
M20	
M25	
M32	
M40	
M50	

Top / Bottom	Left / Right
10	8
4	6
3	3
2	2
	1

Top / Bottom	Left / Right
10	12
4	8
3	4
2	3
	2

Terminal equipment

WDU 2.5 / ZDU 2.5	13
WDU 4 / ZDU 4	11
WDU 6 / ZDU 6	8
WDU 10 / ZDU 10	7

	21
	17
	13
	10

Information

Ordering data

Painted

Type	Order No.
STB 2 PAINTED	3873500000

Type	Order No.
STB 2.1 ptd.	9524790000

Stainless steel

Type	Order No.
STB 2 S-ST1.4404	3873700000

Type	Order No.
STB 2.1 S/S	9524800000

Information

Accessories

Type	Qty.	Order No.
Screw with nut M5	10	0433500000
Screw with nut M4	500	0500000000
Screw with nut M3	10	3875100000

Type	Qty.	Order No.
SFNS5 VKMU M5 SW16	10	0433500000
SFNS/4	500	0500000000
SFNS/3 STB BOXES	10	3875100000

Type	Qty.	Order No.
SFNS5 VKMU M5 SW16	10	0433500000
SFNS/4	500	0500000000
SFNS/3 STB BOXES	10	3875100000

Information

Articles with coloured order number are kept permanently in stock at the central warehouse in Germany. Delivery times see page X.2

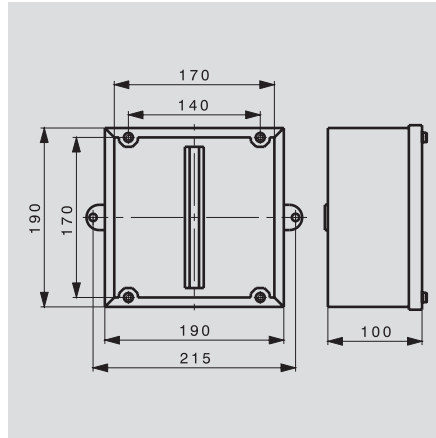
STB-Series

Small sheet steel enclosures



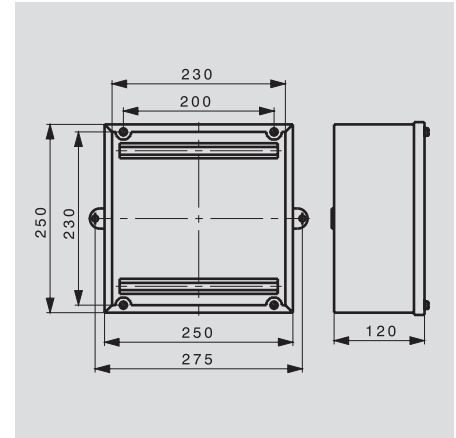
Length x Width x Height mm

STB 3



190 x 190 x 100

STB 4



250 x 250 x 120

Technical data

Dimensions

Inner height	mm	85
Weight	g	3000

Cable entries

M16	12
M20	10
M25	4
M32	3
M40	2
M50	2

Terminal equipment

WDU 2.5 / ZDU 2.5	21
WDU 4 / ZDU 4	17
WDU 6 / ZDU 6	13
WDU 10 / ZDU 10	10

Information

Ordering data

Painted

Type	Order No.
STB 3 PAINTED	9513870000

Type	Order No.
STB 4 PAINTED	9513900000

Stainless steel

STB 3 S-ST1.4404	9513890000
------------------	------------

STB 4 S-ST1.4404	9513920000
------------------	------------

Information

Accessories

Screw with nut M5	10	0433500000
Screw with nut M4	500	0500000000
Screw with nut M3	10	3875100000

Type	Qty.	Order No.
SFNS5 VKMU M5 SW16	10	0433500000
SFNS/4	500	0500000000
SFNS/3 STB BOXES	10	3875100000

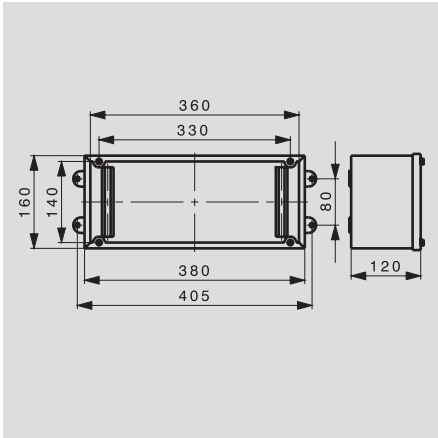
Type	Qty.	Order No.
SFNS5 VKMU M5 SW16	10	0433500000
SFNS/4	500	0500000000
SFNS/3 STB BOXES	10	3875100000

Information

Articles with coloured order number are kept permanently in stock at the central warehouse in Germany.
Delivery times see page X.2

STB-Series

STB 5



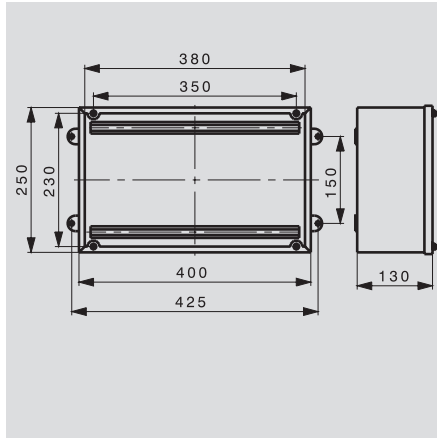
160 x 380 x 120

105
3700

Top / Bottom	Left / Right
42	18
33	11
18	6
7	4
6	2
4	1

45
39
27
21

STB 6



250 x 400 x 130

115
5400

Top / Bottom	Left / Right
60	32
35	20
18	10
14	8
6	3
5	2

93
78
57
45

Type	
STB 5 PAINTED	9505260000
STB 5 S-ST1.4404	9505300000

Type	
STB 6 PAINTED	9505270000
STB 6 S-ST1.4404	9505310000

K

Type	Qty.	Order No.
SFNS5 VKMU M5 SW16	10	0433500000
SFNS/4	500	0500000000
SFNS/3 STB BOXES	10	3875100000

Type	Qty.	Order No.
SFNS5 VKMU M5 SW16	10	0433500000
SFNS/4	500	0500000000
SFNS/3 STB BOXES	10	3875100000

Articles with coloured order number are kept permanently in stock at the central warehouse in Germany.
Delivery times see page X.2