

TBF-Series

Polyester enclosures

The TBF-Series of enclosures are made from extremely robust glassfibre reinforced polyester. They are ideal for applications requiring high impact resistance with weight being a prime consideration. The weather-proof TBF enclosures are designed for a wide series of applications.

The enclosures come with plenty of accessories for universal solutions to accommodate components such as regulators, measuring instruments, valves and other devices.

Features:

- 9 sizes in 2 versions
- Lid with nylon screws
- Mounting holes located outside of the sealed area
- Threaded holes for mounting rails and mounting plates
- Extensive accessories



Our assembly service can supply these enclosures pre-assembled with terminals and cable glands according to customer requirements.

Technical data

Material	Grey lid:	Enclosure and lid of glassfibre reinforced plastic (GRP)
	Transparent lid:	Enclosure base of glassfibre reinforced plastic (GRP), lid of polycarbonate (PC)
Surface		Grey, similar to RAL 7036
Gasket		Polyurethane
Lid fixing		4 or 6 captive crosshead nylon screws
Equipment mounting		4 or 6 clamping screws M4
Protection class	Grey lid:	IP 67
	Transparent lid:	IP 66
Impact resistance	Grey lid:	4 J
	Transparent lid:	7 J
Temperature range	Grey lid:	-50°C to +150°C
	Transparent lid:	-50°C to +130°C
Flammability	GRP	UL 94 HB
	PC	V2
Toxicity		Free of halogen

Additional features

Extension frames	May reduce the protection class!
Outer holders	

TBF-Series

Diverse polyester enclosures



Length x Width x Height mm

Technical data

Dimensions	
Inner height	mm
Weight	g
Cable entries	
M16	
M20	
M25	
M32	
M40	
M50	
Terminal equipment	
WDU 2.5 / ZDU 2.5	
WDU 4 / ZDU 4	
WDU 6 / ZDU 6	
WDU 10 / ZDU 10	
Information	

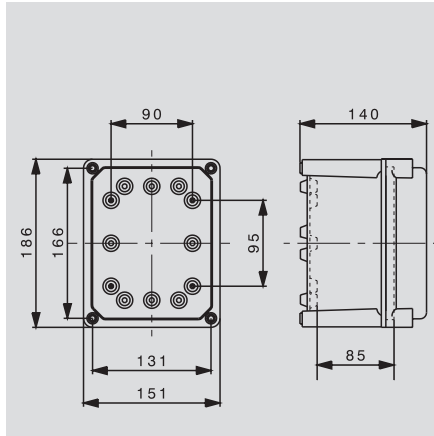
Ordering data

Grey lid	
Transparent lid	
Information	

Accessories

Mounting plate	
Steel sheet, 2mm	zinc-plated
Extension frame	
Height 35 mm	polyamide
External fixing lugs	
Set of 4 pieces each	polyamide
Earthing screw	
M6	brass
M6	stainless steel
M10	brass
M10	stainless steel
Spacer, M4	
6 mm	
10 mm	
15 mm	
20 mm	
25 mm	
30 mm	
60 mm	
97 mm	
102 mm	
Information	

TBF 19/15



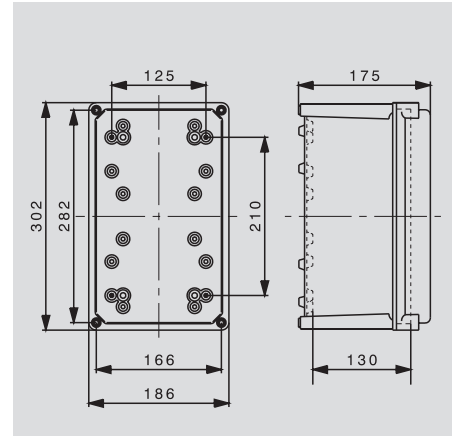
186 x 151 x 139

Dimensions	
Inner height	mm
Weight	g
Cable entries	
M16	
M20	
M25	
M32	
M40	
M50	
Terminal equipment	
WDU 2.5 / ZDU 2.5	
WDU 4 / ZDU 4	
WDU 6 / ZDU 6	
WDU 10 / ZDU 10	
Information	

Type		
TBF 19/15/14 7036		0360100000
TBF 19/15/14 trsp		0500500000
Information		

Type	Qty.	Order No.
MP TBF 19/15	1	9502720000
EF TBF 19/15	1	9502930000
MF TBF	1	0360800000
ES TBF M6 brass	1	9502700000
ES TBF M6 ss	1	9505240000
ES TBF M10 brass	1	9502710000
ES TBF M10 ss	1	9500870000
SP TBF 6	100	9503150000
SP TBF 10	50	9503160000
SP TBF 15	50	9503170000
SP TBF 20	50	9503180000
SP TBF 25	50	9503190000
SP TBF 30	50	9500910000
SP TBF 60	50	9500920000
Information		

TBF 30/19



302 x 186 x 175

Dimensions	
Inner height	mm
Weight	g
Cable entries	
M16	
M20	
M25	
M32	
M40	
M50	
Terminal equipment	
WDU 2.5 / ZDU 2.5	
WDU 4 / ZDU 4	
WDU 6 / ZDU 6	
WDU 10 / ZDU 10	
Information	

Type		
TBF 30/19/18 7036		0360200000
TBF 30/19/18 trsp		0500600000
Information		

Type	Qty.	Order No.
MP TBF 30/19	1	3018950000
EF TBF 30/19	1	9502940000
MF TBF	1	0360800000
ES TBF M6 brass	1	9502700000
ES TBF M6 ss	1	9505240000
ES TBF M10 brass	1	9502710000
ES TBF M10 ss	1	9500870000
SP TBF 6	100	9503150000
SP TBF 10	50	9503160000
SP TBF 15	50	9503170000
SP TBF 20	50	9503180000
SP TBF 25	50	9503190000
SP TBF 30	50	9500910000
SP TBF 60	50	9500920000
SP TBF 97	50	9500930000
SP TBF 102	50	9500940000
Information		

Articles with coloured order number are kept permanently in stock at the central warehouse in Germany.
Delivery times see page X.2

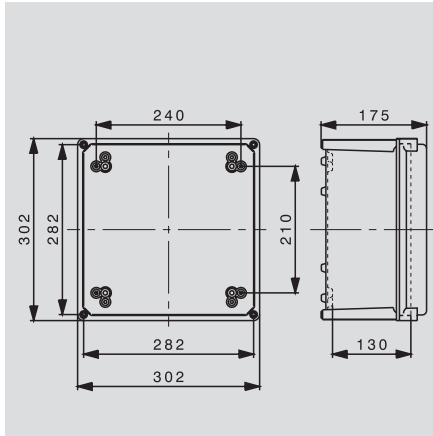
TBF-Series

Diverse polyester enclosures



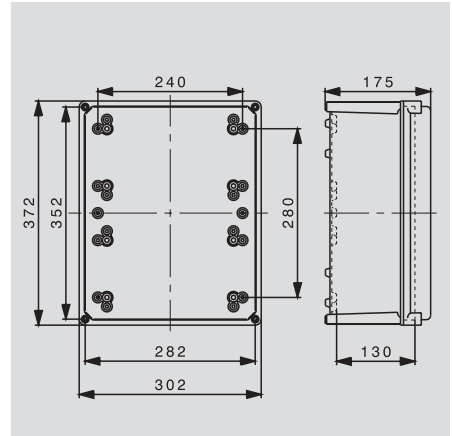
Length x Width x Height mm

TBF 30/30



302 x 302 x 175

TBF 37/30



372 x 302 x 175

Technical data

Dimensions

Inner height	mm	130
Weight	g	2270

Cable entries

M16	24	24
M20	20	20
M25	10	10
M32	4	4
M40	3	3
M50	3	3

Terminal equipment

WDU 2.5 / ZDU 2.5	88
WDU 4 / ZDU 4	74
WDU 6 / ZDU 6	56
WDU 10 / ZDU 10	44

Information

Top / Bottom Left / Right

24	24
20	20
10	10
4	4
3	3
3	3

130
2900

Top / Bottom Left / Right

24	30
20	27
10	12
4	5
3	4
3	4

114
96
72
58

Ordering data

Grey lid
Transparent lid

Type

TBF 30/30/18 7036	0360300000
TBF 30/30/18 trsp	0500700000

Type

TBF 37/30/18 7036	0360400000
TBF 37/30/18 trsp	0500800000

Information

K

Accessories

Mounting plate

Steel sheet, 2mm	zinc-plated
------------------	-------------

Extension frame

Height 35 mm	polyamide
--------------	-----------

External fixing lugs

Set of 4 pieces each	polyamide
----------------------	-----------

Earthing screw

M6	brass
M6	stainless steel
M10	brass
M10	stainless steel

Spacer, M4

6 mm	SP TBF 6	100	9503150000
10 mm	SP TBF 10	50	9503160000
15 mm	SP TBF 15	50	9503170000
20 mm	SP TBF 20	50	9503180000
25 mm	SP TBF 25	50	9503190000
30 mm	SP TBF 30	50	9500910000
60 mm	SP TBF 60	50	9500920000
97 mm	SP TBF 97	50	9500930000
102 mm	SP TBF 102	50	9500940000

Information

Type Qty. Order No.

MP TBF 30/30	1	9502730000
EF TBF 30/30	1	9502950000
MF TBF	1	0360800000
ES TBF M6 brass	1	9502700000
ES TBF M6 ss	1	9505240000
ES TBF M10 brass	1	9502710000
ES TBF M10 ss	1	9500870000

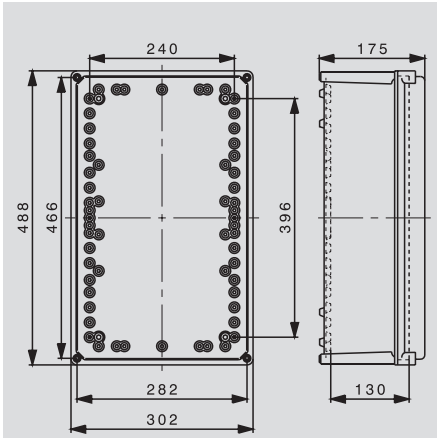
Type Qty. Order No.

MP TBF 37/30	1	9502740000
EF TBF 37/30	1	9502960000
MF TBF	1	0360800000
ES TBF M6 brass	1	9502700000
ES TBF M6 ss	1	9505240000
ES TBF M10 brass	1	9502710000
ES TBF M10 ss	1	9500870000

Articles with coloured order number are kept permanently in stock at the central warehouse in Germany.
Delivery times see page X.2

TBF-Series

TBF 49/30



488 x 302 x *

3760

Top / Bottom	Left / Right
24	42
20	36
10	18
4	7
3	5
3	5

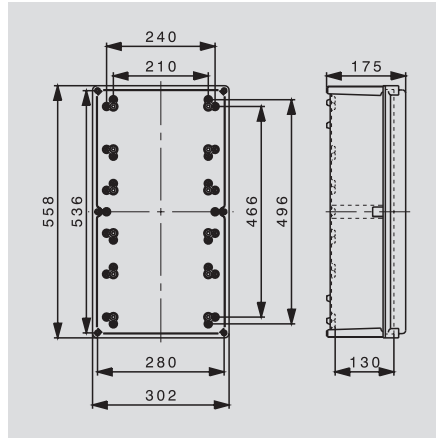
160
134
102
82

Grey lid: 130 mm inner height, 175 mm total height
Transparent lid: 160mm inner height, 210 mm total height

Type

TBF 49/30/18 7036	9502800000
TBF 49/30/21 trsp	9502840000

TBF 56/30



558 x 302 x *

3970

Top / Bottom	Left / Right
24	46
20	40
10	18
4	8
3	6
3	4

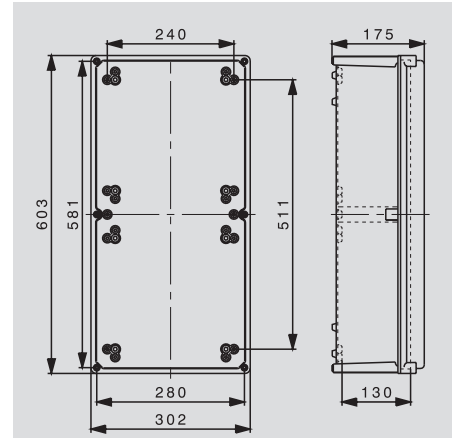
188
158
118
96

Grey lid: 130 mm inner height, 175 mm total height
Transparent lid: 160mm inner height, 210 mm total height

Type

TBF 56/30/18 7036	9502810000
TBF 56/30/21 trsp	9502850000

TBF 60/30



603 x 302 x *

4380

Top / Bottom	Left / Right
24	48
20	40
10	20
4	8
3	6
3	6

220
185
140
110

Grey lid: 130 mm inner height, 175 mm total height
Transparent lid: 160mm inner height, 210 mm total height

Type

TBF 60/30/18 7036	0360500000
TBF 60/30/21 trsp	0500900000

Type	Qty.	Order No.
MP TBF 49/30	1	9500960000
MF TBF	1	0360800000
ES TBF M6 brass	1	9502700000
ES TBF M6 ss	1	9505240000
ES TBF M10 brass	1	9502710000
ES TBF M10 ss	1	9500870000
SP TBF 6	100	9503150000
SP TBF 10	50	9503160000
SP TBF 15	50	9503170000
SP TBF 20	50	9503180000
SP TBF 25	50	9503190000
SP TBF 30	50	9500910000
SP TBF 60	50	9500920000
SP TBF 97	50	9500930000
SP TBF 102	50	9500940000

Type	Qty.	Order No.
MP TBF 56/30	1	9500950000
EF TBF 56/30	1	9502980000
MF TBF	1	0360800000
ES TBF M6 brass	1	9502700000
ES TBF M6 ss	1	9505240000
ES TBF M10 brass	1	9502710000
ES TBF M10 ss	1	9500870000
SP TBF 6	100	9503150000
SP TBF 10	50	9503160000
SP TBF 15	50	9503170000
SP TBF 20	50	9503180000
SP TBF 25	50	9503190000
SP TBF 30	50	9500910000
SP TBF 60	50	9500920000
SP TBF 97	50	9500930000
SP TBF 102	50	9500940000

Type	Qty.	Order No.
MP TBF 60/30	1	9502750000
EF TBF 60/30	1	9502990000
MF TBF	1	0360800000
ES TBF M6 brass	1	9502700000
ES TBF M6 ss	1	9505240000
ES TBF M10 brass	1	9502710000
ES TBF M10 ss	1	9500870000
SP TBF 6	100	9503150000
SP TBF 10	50	9503160000
SP TBF 15	50	9503170000
SP TBF 20	50	9503180000
SP TBF 25	50	9503190000
SP TBF 30	50	9500910000
SP TBF 60	50	9500920000
SP TBF 97	50	9500930000
SP TBF 102	50	9500940000

Articles with coloured order number are kept permanently in stock at the central warehouse in Germany.
Delivery times see page X.2

TBF-Series

Diverse polyester enclosures



Length x Width x Height mm

Technical data

Dimensions

Inner height	mm
Weight	g

Cable entries

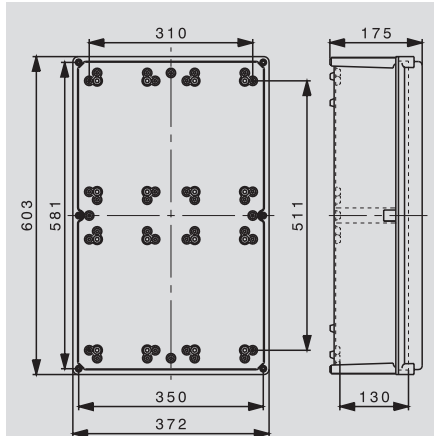
M16	
M20	
M25	
M32	
M40	
M50	

Terminal equipment

WDU 2.5 / ZDU 2.5	
WDU 4 / ZDU 4	
WDU 6 / ZDU 6	
WDU 10 / ZDU 10	

Information

TBF 60/37



603 x 372 x *

Technical data

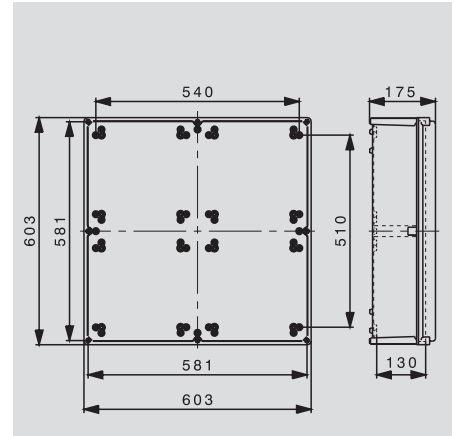
Inner height	mm
Weight	g

Top / Bottom	Left / Right
30	48
26	40
12	20
5	8
4	6
4	6

285
240
180
145

Grey lid: 130 mm inner height, 175 mm total height
Transparent lid: 160mm inner height, 210 mm total height

TBF 60/60



603 x 603 x *

Technical data

Inner height	mm
Weight	g

Top / Bottom	Left / Right
48	48
40	40
20	20
8	8
6	6
6	6

505
425
320
255

Grey lid: 130 mm inner height, 175 mm total height
Transparent lid: 160mm inner height, 210 mm total height

Ordering data

Grey lid	
Transparent lid	

Information

Type

TBF 60/37/18 7036	9502820000
TBF 60/37/21 trsp	9502860000

Information

Type

TBF 60/60/18 7036	9502830000
TBF 60/60/21 trsp	9502870000

Information

K

Accessories

Mounting plate		
Steel sheet, 2mm	zinc-plated	
Extension frame		
Height 35 mm	polyamide	
External fixing lugs		
Set of 4 pieces each	polyamide	
Earthing screw		
M6	brass	
M6	stainless steel	
M10	brass	
M10	stainless steel	
Spacer, M4		
6 mm		
10 mm		
15 mm		
20 mm		
25 mm		
30 mm		
60 mm		
97 mm		
102 mm		

Information

Type	Qty.	Order No.
MP TBF 60/37	1	9502910000
EF TBF 60/37	1	9503000000
MF TBF	1	0360800000
ES TBF M6 brass	1	9502700000
ES TBF M6 ss	1	9505240000
ES TBF M10 brass	1	9502710000
ES TBF M10 ss	1	9500870000
SP TBF 6	100	9503150000
SP TBF 10	50	9503160000
SP TBF 15	50	9503170000
SP TBF 20	50	9503180000
SP TBF 25	50	9503190000
SP TBF 30	50	9500910000
SP TBF 60	50	9500920000
SP TBF 97	50	9500930000
SP TBF 102	50	9500940000

Information

Type	Qty.	Order No.
MP TBF 60/60	1	9502920000
EF TBF 60/60	1	9503010000
MF TBF	1	0360800000
ES TBF M6 brass	1	9502700000
ES TBF M6 ss	1	9505240000
ES TBF M10 brass	1	9502710000
ES TBF M10 ss	1	9500870000
SP TBF 6	100	9503150000
SP TBF 10	50	9503160000
SP TBF 15	50	9503170000
SP TBF 20	50	9503180000
SP TBF 25	50	9503190000
SP TBF 30	50	9500910000
SP TBF 60	50	9500920000
SP TBF 97	50	9500930000
SP TBF 102	50	9500940000

Information

Articles with coloured order number are kept permanently in stock at the central warehouse in Germany.
Delivery times see page X.2