

FBCon DK6

The FBCon fieldbus connectors are used in process automation, to set up different bus topologies such as line, tree or star on basis of the fieldbus systems. The fieldbus main line (trunk line) is distributed on several branch lines (spur lines).

The field devices, with integrated fieldbus coupling (Profibus PA or Fieldbus Foundation), are connected directly to the spur lines.

The FBCon DK6 was designed for setting up the fieldbus connections for individual applications – with up to 20 spurs. The line-in module with surge protection, current limitation (60mA) for the spurs and the terminator form the individual

fieldbus connector for Profibus PA and Fieldbus Foundation

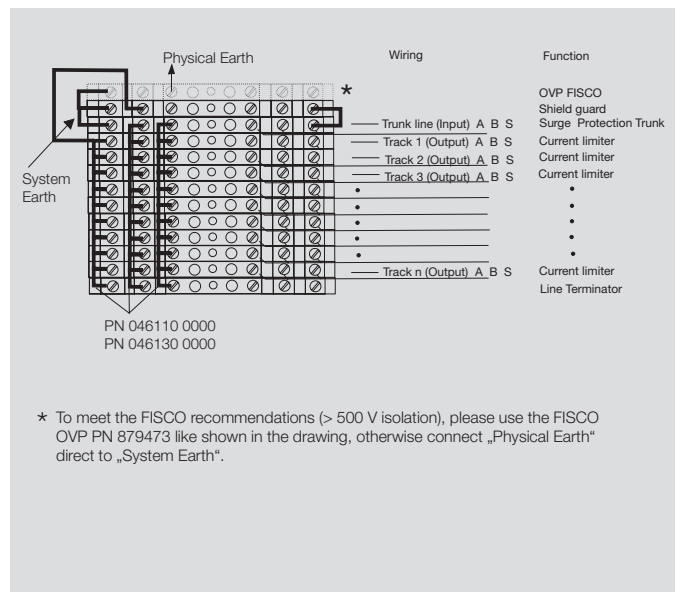
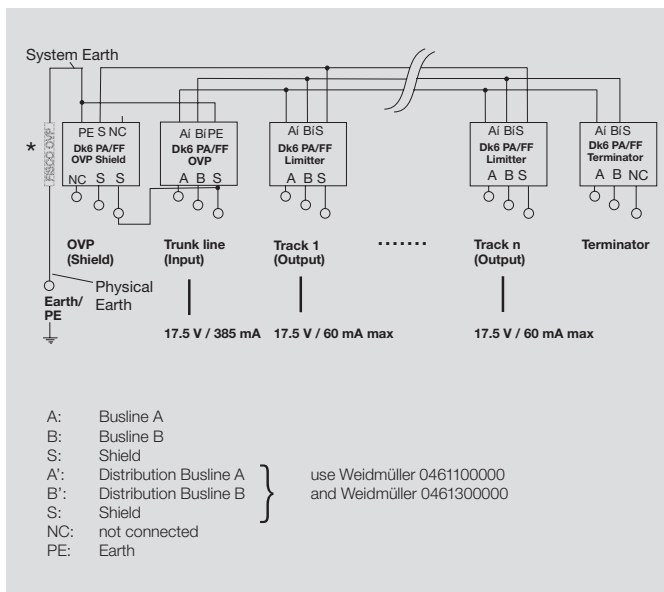
- For Fieldbus Foundation and Profibus PA
- Surge protection for the trunk line
- Current limitation for the spur lines (60 mA)
- LED indicates operation
- Cross-connection of the trunk line to each spur line
- 8 mm wide
- Screw connection
- ATEX EEx me, EEx ia



Accessories for FBCon DK6

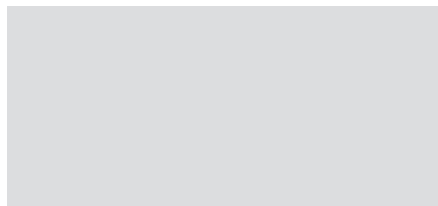
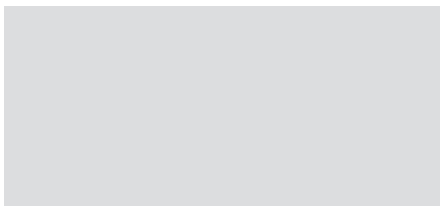
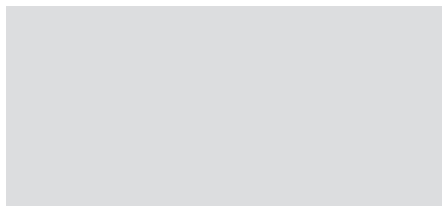
Cross-connector		Order No.
Pluggable cross-connector, black	2 pole	0461100000
Pluggable cross-connector, black	4 pole	0461300000
Pluggable cross-connector, black	15 pole	1904790000

Terminal for Segmet extension:
On request 8938460000



DK6 PA FF OVP Line In

DK6 PA FF OVP Current Limiter



Technical data

Technical data	
Bus system	
Rated voltage	
max. voltage	
Rated current	
Impulse sparkover voltage (1kV/μs)	
Rated discharge current (8/20 μs)	
Output protection level (8/20 μs)	
Resistance per path	
Capacitor A/B	
Capacitor shield/earth	
Status indicator	
Current consumption LED	
Type of connection	
Operating temperature, min.-Operating temperature, max.	
Approvals	

Profibus PA ;Foundation Fieldbus
18 V AC;24 V DC
30 V DC
380 mA
600 V
5 kA
65 V
2.2 Ω ± 10 %
100 pF
10 pF
green LED = OK
3.5 mA +/- 15%
Screw connection
-20 °C ...
EEx me II T6, EEx ia IIC T6

Profibus PA ;Foundation Fieldbus
18
30 V DC
62
600 V
5 kA
10 Ω ± 10 %
100 pF
10 pF
LED red: surge / short-circuit
3.5 mA +/- 15%
Screw connection
-20 °C ...
EEx me II T6, EEx ia IIC T6

Dimensions	
Clamping range (rating- / min. / max.)	mm ²
Length x width x height	mm

Screw connection	
	2.5 / 0.5 / 4
	88.4 x 8 x 52

Screw connection	
	2.5 / 0.5 / 4
	88.4 x 8 x 52

Note

Note

Note

Ordering data

Type of connection
Screw connection

Type	Qty.	Order No.
DK6 PA FF OVP Line In	12	8770050000

Type	Qty.	Order No.
DK6 PA FF Current Limiter	10	8770020000

Note

Note

Note

Accessories

Note

Note

Note

