

**For 8-channel digital I/O cards
H System and R System**

RS ES-D - 8-channel

H-System – 2-wire (common + or –)
Version: screw connection

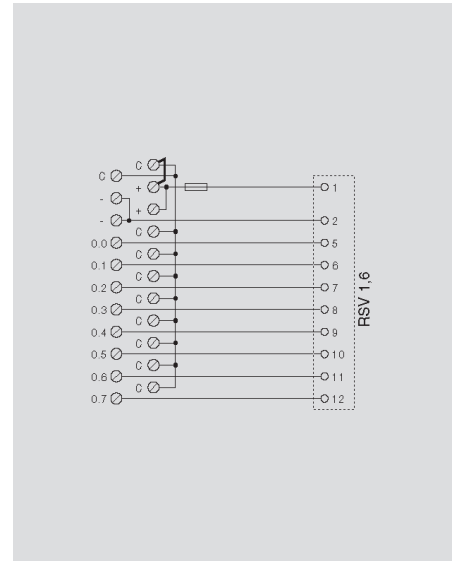
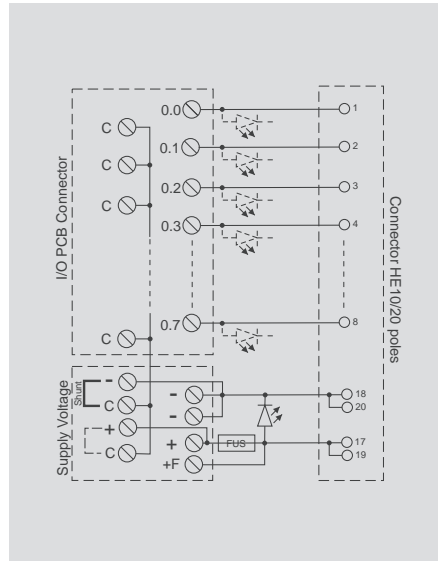
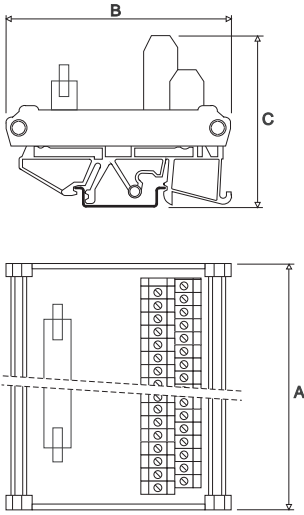


RS ES-DP - 8-channel

R-System – 2-wire (common + or –)
Version: screw connection



Dimensions



Technical data

Connection	
Connection to PLC	
Connection type V (screw clamp) Flexible/Solid	
Connection type Z (tension clamp) Flexible/Solid	
Input-Output Data	
Operating voltage	
Max. current per channel	
Max. total current	
Fuse per channel	
Disconnection per channel	
LED status indication per channel	
Polarity distribution	
Max. current of joint potential	
PLC card supply voltage / LED voltage status	
PLC card supply current	
PLC card supply current fuse	
Insulation coordination (EN50178)	
Rated voltage	
Overvoltage category	
Pollution degree	
Insulation test voltage	
Ambient temperature	
Storage temperature	
Dimensions	
Length A x width B x height C	mm
Note	

Connection	
HE 10 connector - 20 pole	
0.5...4 mm ² / 0.5...6 mm ² (AWG 26...12)	
Input-Output Data	
24 V DC ± 10%	
1 A (*)	
3 A	
-	
-	
Green	
+ or – selectable with a jumper	
3 A	
24 V DC / LED yellow	
2 A	
3.15 A	
Insulation coordination (EN50178)	
< 50 V AC	
III	
2	
0.5 KV DC	
-25...50 °C	
-40...60 °C	
Dimensions	
74 x 87.5 x 72	
Note	
(*) Observe the max. permissible current for the common wires	

Connection	
RSV 1.6 connector – 12 pole	
0.5...4 mm ² / 0.5...6 mm ² (AWG 26...12)	
Input-Output Data	
250 V max	
1 A (*)	
3 A	
-	
-	
-	
+ or – selectable with a jumper	
3 A	
max 250 V	
2 A	
3.15 A	
Insulation coordination (EN50178)	
250 V AC	
III	
2	
1.7 KV DC	
-25...50 °C	
-40...60 °C	
Dimensions	
68 x 87.5 x 72	
Note	
(*) Observe the max. permissible current for the common wires	

Ordering data

Screw connection without LED	
Screw connection with LED	
Tension clamp connection without LED	
Tension clamp connection with LED	
Note	

Type	Order No.
RS 8ES-D-L HVV	9445530000

Type	Order No.
RS8ES-DP RSV1,6/V	9441540000 (1)

(1) on demand



Direct inputs/outputs for digital cards

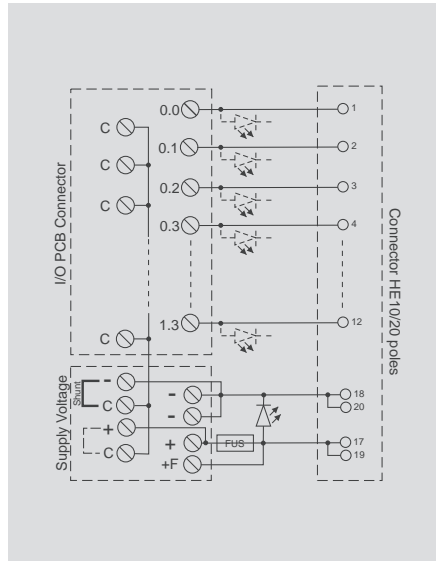
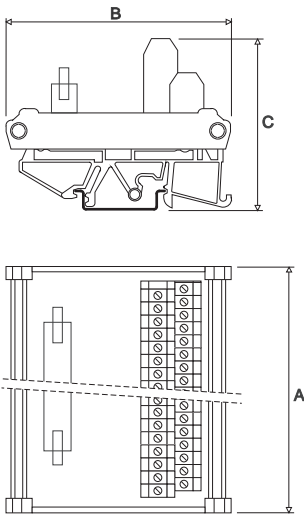
For 12-channel digital I/O cards
System H

RS ES-D - 12-channel

H-System – 2-wire (common + or –)
Version: screw connection



Dimensions



Technical data

Connection

Connection to PLC
Connection type V (screw clamp) Flexible/Solid
Connection type Z (tension clamp) Flexible/Solid

Input-Output Data

Operating voltage
Max. current per channel
Max. total current
Fuse per channel
Disconnection per channel
LED status indication per channel
Polarity distribution
Max. current of joint potential
PLC card supply voltage / LED voltage status
PLC card supply current
PLC card supply current fuse

Insulation coordination (EN50178)

Rated voltage
Overvoltage category
Pollution degree
Insulation test voltage
Ambient temperature
Storage temperature

Dimensions

Length A x width B x height C mm

HE 10 connector - 20 pole
0.5...4 mm² / 0.5...6 mm² (AWG 26...12)

24 V DC ± 10%
1 A (*)
3 A
-
-
Green
+ or - selectable with a jumper
3 A
24 V DC / LED yellow
2 A
3.15 A

< 50 V AC
III
2
0.5 KV DC
-25...50 °C
-40...60 °C

95 x 87.5 x 72

Note

(*) Observe the max. permissible current for the common wires

Ordering data

Screw connection without LED
Screw connection with LED
Tension clamp connection without LED
Tension clamp connection with LED

Type	Order No.
RS 12ES-D-L H/V	9445630000

Note

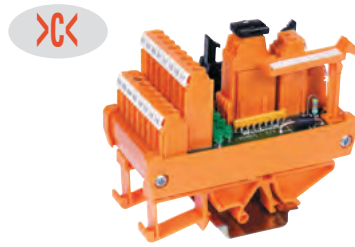


**For 16-channel digital I/O cards
System H**

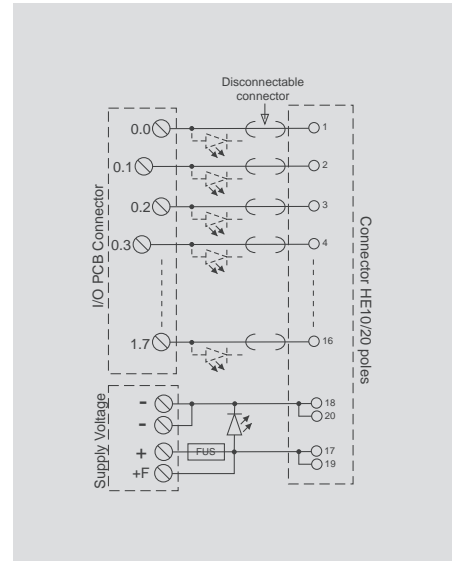
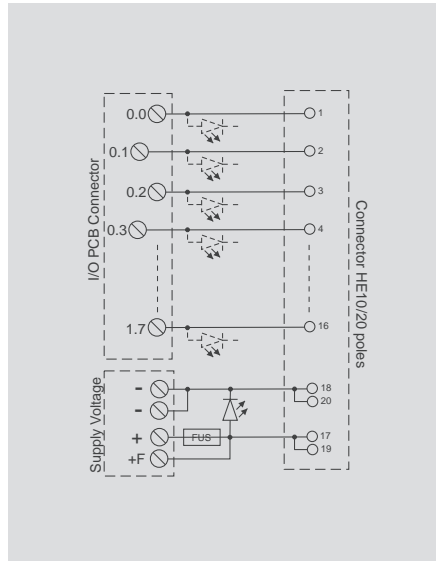
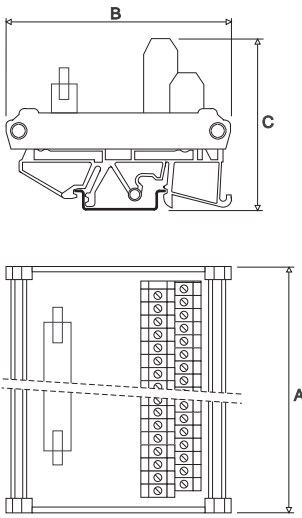
RS ES-S - 16-channel

Direct inputs/outputs for digital cards

RS ES-S-I - 16 disconnectable channels



Dimensions



Technical data

Connection

Connection to PLC
 Connection type V (screw clamp) Flexible/Solid
 Connection type Z (tension clamp) Flexible/Solid

Input-Output Data

Operating voltage
 Max. current per channel
 Max. total current
 Fuse per channel
 Disconnection per channel
 LED status indication per channel
 Polarity distribution
 Max. current of joint potential
 PLC card supply voltage / LED voltage status
 PLC card supply current
 PLC card supply current fuse

Insulation coordination (EN50178)

Rated voltage
 Overvoltage category
 Pollution degree
 Insulation test voltage
 Ambient temperature
 Storage temperature

Dimensions

Length A x width B x height C mm
 XK version mm

Note

HE 10 connector - 20 pole
 0.5...4 mm² / 0.5...6 mm² (AWG 26...12)
 0.2...1.5 mm² / 0.2...2.5 mm² (AWG 24...14)
 ≤25 V AC 50 V DC (version without LED) / 24 V DC ± 10% (versions with LED)
 1 A (*)
 3 A
 -
 -
 Green (versions with LED)
 -
 -
 24 V DC / LED yellow
 2 A
 3.15 A

< 50 V AC
 III
 2
 0.5 KV DC
 -25...50 °C
 -40...60 °C

81 x 87.5 x 72
 46 x 87.5 x 72

(*) Observe the max. permissible current for the common wires

HE 10 connector - 20 pole
 0.5...4 mm² / 0.5...6 mm² (AWG 26...12)
 24 V DC ± 10%
 1 A (*)
 3 A
 -
 Yes - each channel
 Green
 -
 -
 24 V DC / LED yellow
 2 A
 3.15 A

< 50 V AC
 III
 2
 0.5 KV DC
 -25...50 °C
 -40...60 °C

110 x 87.5 x 72

(*) Observe the max. permissible current for the common wires

Ordering data

Screw connection without LED
 Screw connection with LED
 Tension clamp connection without LED
 Tension clamp connection with LED

Note

Type	Order No.
RS 16ES H/V C	XK 9445700000
RS 16ES-L H/V C	XK 9445710000
RS 16ES H/Z	9447700000 (*)
RS 16ES-L H/Z	9447710000

XK : compact version
 (*) on demand

Type	Order No.
RS 16ES-S-I-L H/V	9445810000

Direct inputs/outputs for digital cards

For 16-channel digital I/O cards
System H

RS ES-D - 16-channel

H-System – 2-wire (common + or –)
Versions: screw / tension clamp connection - compact

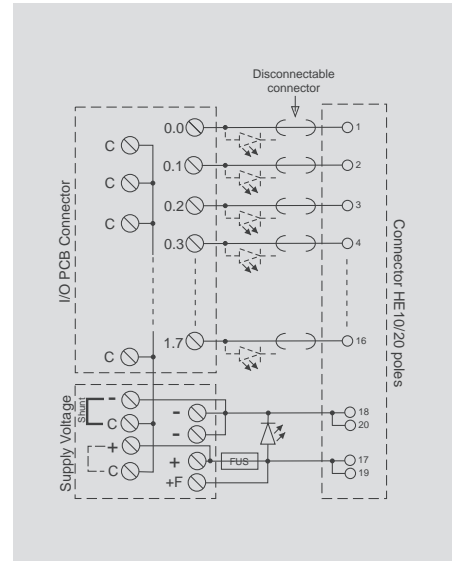
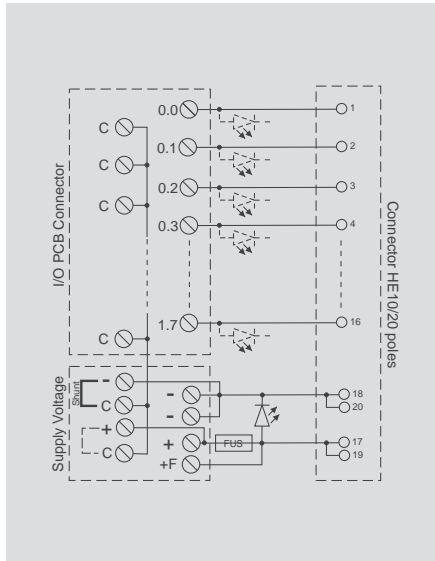
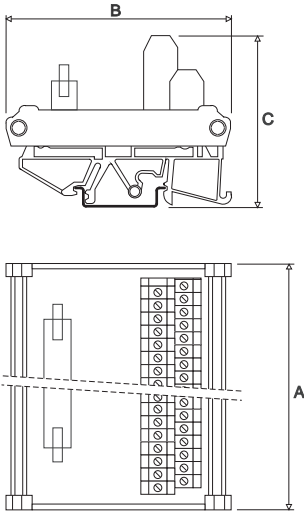


RS ES-D-I - 16 disconnectable channels

H-System – 2-wire (common + or –)
Versions: screw / tension clamp connection - compact



Dimensions



Technical data

Connection	
Connection to PLC	
Connection type V (screw clamp) Flexible/Solid	
Connection type Z (tension clamp) Flexible/Solid	
Input-Output Data	
Operating voltage	
Max. current per channel	
Max. total current	
Fuse per channel	
Disconnection per channel	
LED status indication per channel	
Polarity distribution	
Max. current of joint potential	
PLC card supply voltage / LED voltage status	
PLC card supply current	
PLC card supply current fuse	
Insulation coordination (EN50178)	
Rated voltage	
Overvoltage category	
Pollution degree	
Insulation test voltage	
Ambient temperature	
Storage temperature	
Dimensions	
Length A x width B x height C	mm
	✕ version mm
Note	

HE 10 connector - 20 pole	
0.5...4 mm ² / 0.5...6 mm ² (AWG 26...12)	
0.2...1.5 mm ² / 0.2...2.5 mm ² (AWG 24...14)	
≤ 25 V AC 50 V DC (version without LED) / 24 V DC ± 10% (versions with LED)	
1 A (*)	
3 A	
-	
-	
Green (versions with LED)	
+ or – selectable with a jumper	
3 A	
24 V DC / LED yellow	
2 A	
3.15 A	
< 50 V AC	
III	
2	
0.5 KV DC	
-25...50 °C	
-40...60 °C	
117 x 87.5 x 72	
87 x 87.5 x 72	
(*) Observe the max. permissible current for the common wires	

HE 10 connector - 20 pole	
0.5...4 mm ² / 0.5...6 mm ² (AWG 26...12)	
0.2...1.5 mm ² / 0.2...2.5 mm ² (AWG 24...14)	
24 V DC ± 10%	
1 A (*)	
3 A	
-	
Yes - each channel	
Green	
+ or – selectable with a jumper	
3 A	
24 V DC / LED yellow	
2 A	
3.15 A	
< 50 V AC	
III	
2	
0.5 KV DC	
-25...50 °C	
-40...60 °C	
119 x 87.5 x 72	
90 x 87.5 x 72	
(*) Observe the max. permissible current for the common wires	

Ordering data

Screw connection without LED	
Screw connection with LED	
Tension clamp connection without LED	
Tension clamp connection with LED	
Note	

Type	Order No.
RS 16ES-D H/V C	✕ 9445720000
RS 16ES-D-L H/V C	✕ 9445730000
RS 16ES-D-L H/Z	9447730000
✕ : compact version	

Type	Order No.
RS 16ES-D-I-L H/V C	✕ 9445750000
RS 16ES-D-I-L H/Z	9447750000 (1)
✕ : compact version	
(1) on demand	



**For 16-channel digital I/O cards
System H**

RS ES-D-F - 16-channel with fuse

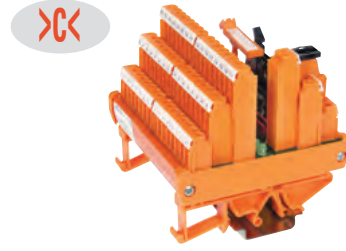
H-System – 2-wire (common + or –)
Version: screw connection



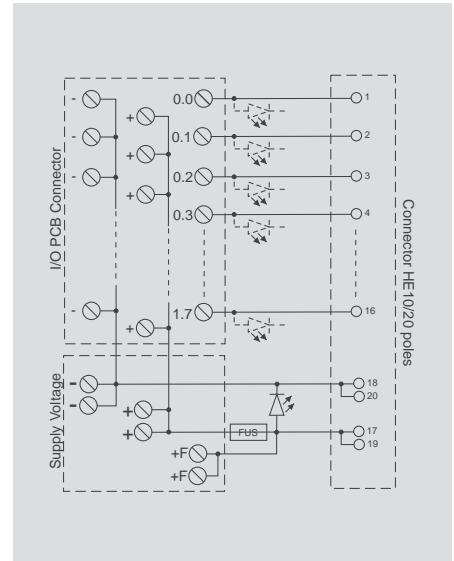
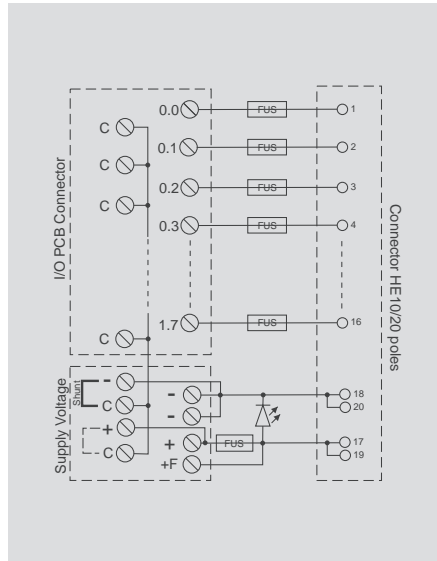
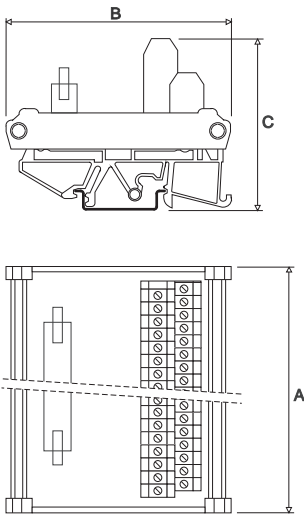
Direct inputs/outputs for digital cards

RS ES-T - 16-channel

H System – 3-wire (common + and –)
Versions: screw / tension clamp connection - compact



Dimensions



Technical data

Connection	
Connection to PLC	
Connection type V (screw clamp) Flexible/Solid	
Connection type Z (tension clamp) Flexible/Solid	
Input-Output Data	
Operating voltage	≤ 25 V AC 50 V DC
Max. current per channel	1 A (*)
Max. total current	3 A
Fuse per channel	0.5 A fuse on each channel
Disconnection per channel	-
LED status indication per channel	-
Polarity distribution	+ or – selectable with a jumper
Max. current of joint potential	3 A
PLC card supply voltage / LED voltage status	24 V DC / LED yellow
PLC card supply current	2 A
PLC card supply current fuse	3.15 A
Insulation coordination (EN50178)	
Rated voltage	< 50 V AC
Overvoltage category	III
Pollution degree	2
Insulation test voltage	0.5 KV DC
Ambient temperature	-25...50 °C
Storage temperature	-40...60 °C
Dimensions	
Length A x width B x height C	mm
	122 x 87.5 x 72
	XX version mm
Note	
	(*) Observe the max. permissible current for the common wires

Connection	
HE 10 connector - 20 pole	
0.5...4 mm ² / 0.5...6 mm ² (AWG 26...12)	
Input-Output Data	
Operating voltage	≤ 25 V AC 50 V DC
Max. current per channel	1 A (*)
Max. total current	3 A
Fuse per channel	0.5 A fuse on each channel
Disconnection per channel	-
LED status indication per channel	-
Polarity distribution	+ or – selectable with a jumper
Max. current of joint potential	3 A
PLC card supply voltage / LED voltage status	24 V DC / LED yellow
PLC card supply current	2 A
PLC card supply current fuse	3.15 A
Insulation coordination (EN50178)	
Rated voltage	< 50 V AC
Overvoltage category	III
Pollution degree	2
Insulation test voltage	0.5 KV DC
Ambient temperature	-25...50 °C
Storage temperature	-40...60 °C
Dimensions	
Length A x width B x height C	mm
	110 x 87.5 x 72
	90 x 87.5 x 72
Note	
	(*) Observe the max. permissible current for the common wires

Connection	
HE 10 connector - 20 pole	
0.5...4 mm ² / 0.5...6 mm ² (AWG 26...12)	
0.5...1.5 / 0.5...1.5 mm ² (AWG 16...26)	
Input-Output Data	
Operating voltage	≤ 25 V AC 50 V DC (version without LED) / 24 V DC ± 10% (versions with LED)
Max. current per channel	1 A (*)
Max. total current	3 A
Fuse per channel	-
Disconnection per channel	-
LED status indication per channel	Green (versions with LED)
Polarity distribution	+ and –
Max. current of joint potential	3 A
PLC card supply voltage / LED voltage status	24 V DC / LED yellow
PLC card supply current	2 A
PLC card supply current fuse	3.15 A
Insulation coordination (EN50178)	
Rated voltage	< 50 V AC
Overvoltage category	III
Pollution degree	2
Insulation test voltage	0.5 KV DC
Ambient temperature	-25...50 °C
Storage temperature	-40...60 °C
Dimensions	
Length A x width B x height C	mm
	110 x 87.5 x 72
	90 x 87.5 x 72
Note	
	(*) Observe the max. permissible current for the common wires

Ordering data

Screw connection without LED	
Screw connection with LED	
Tension clamp connection without LED	
Tension clamp connection with LED	
Note	

Type	Order No.
RS 16ES-D-F H/V	9445820000

Type	Order No.
RS 16ES-T H/V	9445760000
RS 16ES-T-L H/V	9445770000
RS 16ES-T-L H/Z	9447770000
XX : compact version	



Direct inputs/outputs for digital cards

For 16-channel digital I/O cards
System R

RS ES - 16-channel

System R – 1-wire cabling
Version: screw connection

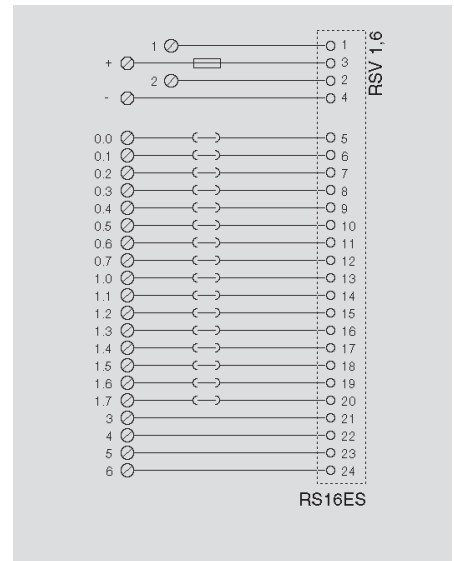
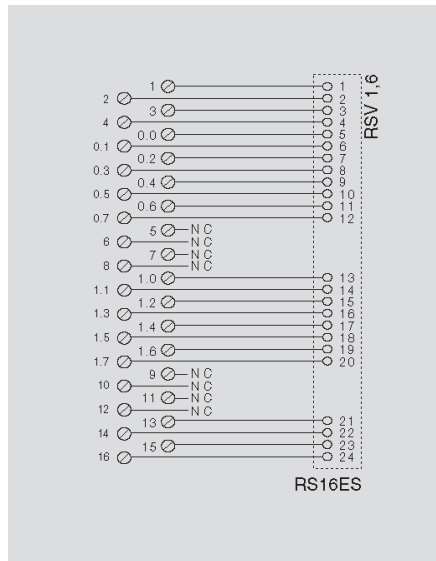
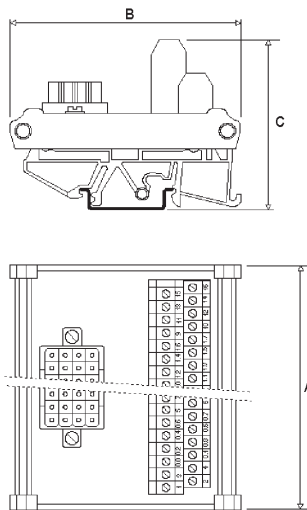


RS ES-I – 16 disconnectable channels

System R – 1-wire cabling
Version: screw connection



Dimensions



Technical data

Connection	
Connection to PLC	
Connection type V (screw clamp) Flexible/Solid	
Connection type Z (tension clamp) Flexible/Solid	
Input-Output Data	
Operating voltage	max 150 V UC
Max. current per channel	1 A (*)
Max. total current	3 A
Fuse per channel	-
Disconnection per channel	-
LED status indication per channel	-
Polarity distribution	-
Max. current of joint potential	-
PLC card supply voltage / LED voltage status	max 150 V
PLC card supply current	2 A
PLC card supply current fuse	-
Insulation coordination (EN50178)	
Rated voltage	< 150 V AC
Overvoltage category	III
Pollution degree	2
Insulation test voltage	1.1 KV DC
Ambient temperature	-25...50 °C
Storage temperature	-40...60 °C
Dimensions	
Length A x width B x height C	mm 97 x 87.5 x 68
Note	
(*) Observe the max. permissible current for the common wires	

Connection	
RSV 1.6 connector - 24 pole	
0.5...1.5 mm ² / 0.5...2.5 mm ² (AWG 26...16)	
Input-Output Data	
Operating voltage	250 V max
Max. current per channel	1 A (*)
Max. total current	3 A
Fuse per channel	-
Disconnection per channel	Yes - each channel
LED status indication per channel	-
Polarity distribution	-
Max. current of joint potential	-
PLC card supply voltage / LED voltage status	max 250 V
PLC card supply current	2 A
PLC card supply current fuse	3.15 A
Insulation coordination (EN50178)	
Rated voltage	250 V AC
Overvoltage category	III
Pollution degree	2
Insulation test voltage	1.7 KV DC
Ambient temperature	-25...50 °C
Storage temperature	-40...60 °C
Dimensions	
Length A x width B x height C	mm 127 x 87.5 x 72
Note	
(*) Observe the max. permissible current for the common wires	

Connection	
RSV 1.6 connector - 24 pole	
0.5...4 mm ² / 0.5...6 mm ² (AWG 26...12)	
Input-Output Data	
Operating voltage	250 V max
Max. current per channel	1 A (*)
Max. total current	3 A
Fuse per channel	-
Disconnection per channel	Yes - each channel
LED status indication per channel	-
Polarity distribution	-
Max. current of joint potential	-
PLC card supply voltage / LED voltage status	max 250 V
PLC card supply current	2 A
PLC card supply current fuse	3.15 A
Insulation coordination (EN50178)	
Rated voltage	250 V AC
Overvoltage category	III
Pollution degree	2
Insulation test voltage	1.7 KV DC
Ambient temperature	-25...50 °C
Storage temperature	-40...60 °C
Dimensions	
Length A x width B x height C	mm 127 x 87.5 x 72
Note	
(*) Observe the max. permissible current for the common wires	

Ordering data

Screw connection without LED	
Screw connection with LED	
Note	

Type	Order No.
RS16ES RSV1,6/V	9441500000
Note	

Type	Order No.
RS16ES-I RSV1,6/V	9441860000
Note	



**For 16-channel digital I/O cards
System R**

Direct inputs/outputs for digital cards

RS ES-DP - 16-channel

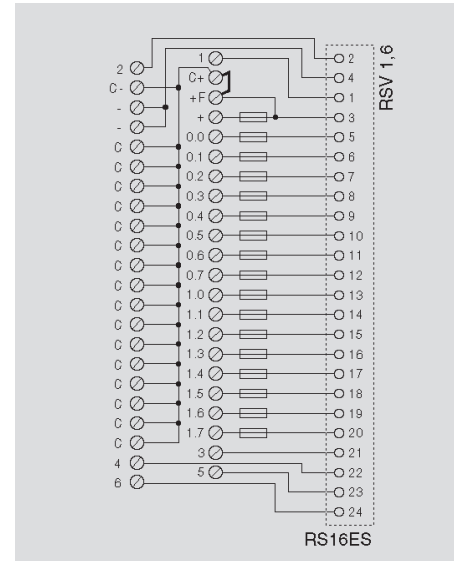
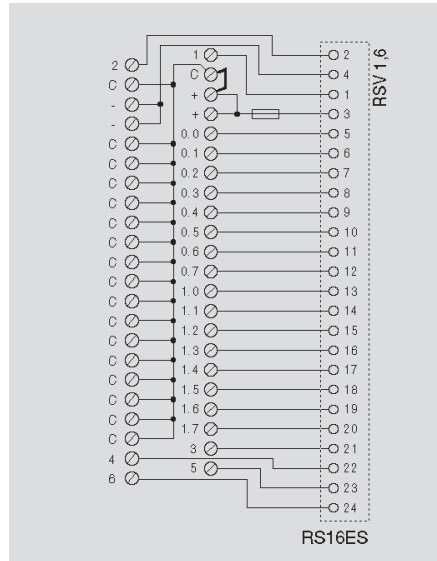
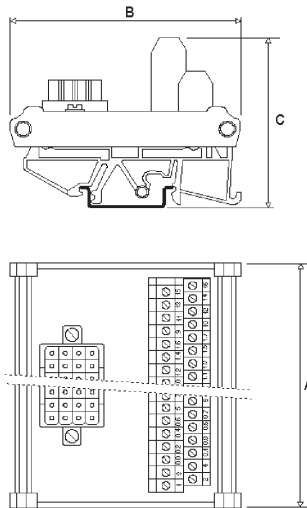
R-System – 2-wire (common + or –)
Version: screw connection

RS ES-DP/F - 16-channel with fuse

R-System – 2-wire (common + or –)
Version: screw connection



Dimensions



Technical data

Connection	
Connection to PLC	
Connection type V (screw clamp) Flexible/Solid	
Connection type Z (tension clamp) Flexible/Solid	
Input-Output Data	
Operating voltage	max 150 V UC
Max. current per channel	1 A (*)
Max. total current	3 A
Fuse per channel	–
Disconnection per channel	–
LED status indication per channel	–
Polarity distribution	+ or – selectable with a jumper
Max. current of joint potential	3 A
PLC card supply voltage / LED voltage status	max 150 V UC
PLC card supply current	2 A
PLC card supply current fuse	3.15 A
Insulation coordination (EN50178)	
Rated voltage	< 150 V AC
Overvoltage category	III
Pollution degree	2
Insulation test voltage	1.1 KV DC
Ambient temperature	-25...50 °C
Storage temperature	-40...60 °C
Dimensions	
Length A x width B x height C	mm 123 x 87.5 x 72
Note	
(*) Observe the max. permissible current for the common wires	

Connection	
RSV 1.6 connector - 24 pole	
0.5...1.5 mm ² / 0.5...2.5 mm ² (AWG 26...16)	
Input-Output Data	
Operating voltage	max 150 V UC
Max. current per channel	1 A (*)
Max. total current	3 A
Fuse per channel	1 A fuse on each channel
Disconnection per channel	–
LED status indication per channel	–
Polarity distribution	+ or – selectable with a jumper
Max. current of joint potential	3 A
PLC card supply voltage / LED voltage status	max 150 V UC
PLC card supply current	2 A
PLC card supply current fuse	3.15 A
Insulation coordination (EN50178)	
Rated voltage	< 150 V AC
Overvoltage category	III
Pollution degree	2
Insulation test voltage	1.1 KV DC
Ambient temperature	-25...50 °C
Storage temperature	-40...60 °C
Dimensions	
Length A x width B x height C	mm 123 x 109 x 72
Note	
(*) Observe the max. permissible current for the common wires	

Connection	
RSV 1.6 connector - 24 pole	
0.5...1.5 mm ² / 0.5...2.5 mm ² (AWG 26...16)	
Input-Output Data	
Operating voltage	max 150 V UC
Max. current per channel	1 A (*)
Max. total current	3 A
Fuse per channel	1 A fuse on each channel
Disconnection per channel	–
LED status indication per channel	–
Polarity distribution	+ or – selectable with a jumper
Max. current of joint potential	3 A
PLC card supply voltage / LED voltage status	max 150 V UC
PLC card supply current	2 A
PLC card supply current fuse	3.15 A
Insulation coordination (EN50178)	
Rated voltage	< 150 V AC
Overvoltage category	III
Pollution degree	2
Insulation test voltage	1.1 KV DC
Ambient temperature	-25...50 °C
Storage temperature	-40...60 °C
Dimensions	
Length A x width B x height C	mm 123 x 109 x 72
Note	
(*) Observe the max. permissible current for the common wires	

Ordering data

Screw connection without LED	
Screw connection with LED	
Note	

Type	Order No.
RS16ES-DP RSV1,6/V	9441700000

Type	Order No.
RS16ES-DP/F RSV1,6/V	9441560000



Direct inputs/outputs for digital cards

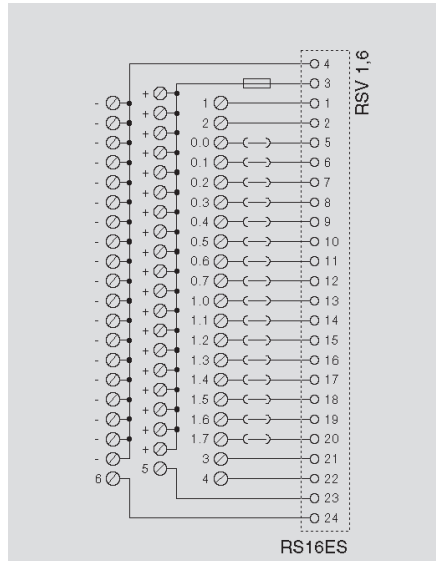
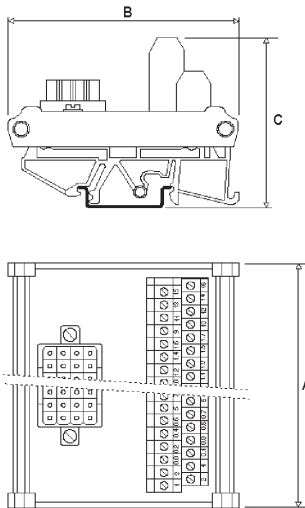
For 16-channel digital I/O cards
System R

RS ES-3 E/I - 16 disconnectable channels

R System – 3-wire (common + and –)
Version: screw connection



Dimensions



Technical data

Connection	
Connection to PLC	
Connection type V (screw clamp) Flexible/Solid	
Connection type Z (tension clamp) Flexible/Solid	
Input-Output Data	
Operating voltage	max 150 V UC
Max. current per channel	1 A (*)
Max. total current	3 A
Fuse per channel	-
Disconnection per channel	Yes - each channel
LED status indication per channel	-
Polarity distribution	+ and -
Max. current of joint potential	3 A
PLC card supply voltage / LED voltage status	max 150 V UC
PLC card supply current	3.15 A
PLC card supply current fuse	
Insulation coordination (EN50178)	
Rated voltage	< 150 V AC
Overvoltage category	III
Pollution degree	2
Insulation test voltage	1.1 KV DC
Ambient temperature	-25...50 °C
Storage temperature	-40...60 °C
Dimensions	
Length A x width B x height C	mm 116 x 109 x 84
Note	
(*) Observe the max. permissible current for the common wires	

RSV 1.6 connector - 24 pole	
0.5...1.5 mm ² / 0.5...2.5 mm ² (AWG 26...16)	
max 150 V UC	
1 A (*)	
3 A	
-	
Yes - each channel	
-	
+ and -	
3 A	
max 150 V UC	
3.15 A	
< 150 V AC	
III	
2	
1.1 KV DC	
-25...50 °C	
-40...60 °C	
116 x 109 x 84	
(*) Observe the max. permissible current for the common wires	

Ordering data

Screw connection without LED	
Screw connection with LED	
Note	
(1) on demand	

Type	Order No.
RS16E-3E/I RSV1,6/V	9441600000 (1)
Note	
(1) on demand	



**For 32-channel digital I/O cards
System H**

Direct inputs/outputs for digital cards

RS ES-S - 32-channel

H System – 1-wire
Version: screw connection - compact

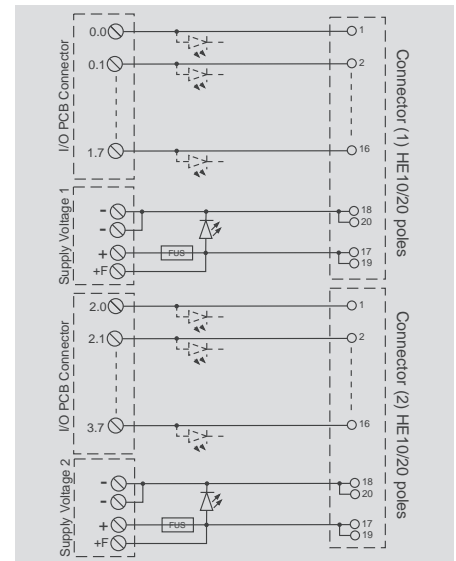
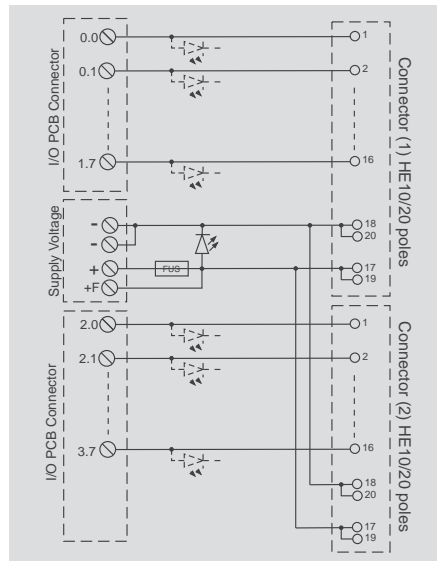
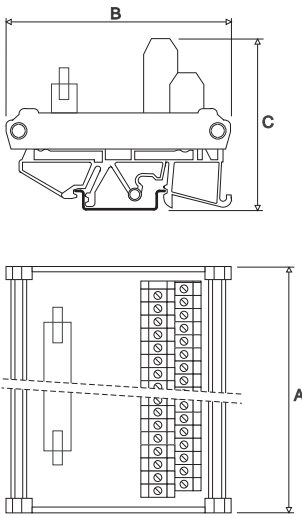


RS ES-S - 32-channel

H System – 1-wire
Version: tension clamp



Dimensions



Technical data

Connection	
Connection to PLC	
Connection type V (screw clamp) Flexible/Solid	
Connection type Z (tension clamp) Flexible/Solid	
Input-Output Data	
Operating voltage	
Max. current per channel	
Max. total current	
Fuse per channel	
Disconnection per channel	
LED status indication per channel	
Polarity distribution	
Max. current of joint potential	
PLC card supply voltage / LED voltage status	
PLC card supply current	
PLC card supply current fuse	
Insulation coordination (EN50178)	
Rated voltage	
Overvoltage category	
Pollution degree	
Insulation test voltage	
Ambient temperature	
Storage temperature	
Dimensions	
Length A x width B x height C	XX version mm
Length A x width B x height C	mm
Note	

Connection	
2 x HE 10 connectors - 20 pole	
0.5...4 mm ² / 0.5...6 mm ² (AWG 26...12)	
Input-Output Data	
≤25V AC 50 V DC (version without LED) / 24 V DC ± 10% (versions with LED)	
1 A (*)	
3 A	
-	
-	
Green (version with LED)	
-	
-	
24 V DC / LED yellow	
2 A	
3.15 A	
Insulation coordination (EN50178)	
< 50 V AC	
III	
2	
0.5 KV DC	
-25...50 °C	
-40...60 °C	
Dimensions	
90 x 87.5 x 72	
Note	
(*) Observe the max. permissible current for the common wires	

Connection	
2 x HE 10 connectors - 20 pole	
0.5...1.5 / 0.5...1.5 mm ² (AWG 16...26)	
Input-Output Data	
≤25V AC 50 V DC (version without LED) / 24 V DC ± 10% (versions with LED)	
1 A (*)	
3 A	
-	
-	
Green (version with LED)	
-	
-	
2 x 24 V DC / LED yellow (for each 16-channel block)	
2 A	
3.15 A	
Insulation coordination (EN50178)	
< 50 V AC	
III	
2	
0.5 KV DC	
-25...50 °C	
-40...60 °C	
Dimensions	
145 x 87.5 x 72	
Note	
(*) Observe the max. permissible current for the common wires	

Ordering data

Screw connection without LED	
Screw connection with LED	
Tension clamp connection without LED	
Tension clamp connection with LED	
Note	

Type	Order No.
RS 32ES H/V	9445900000
RS 32ES-L H/V	9445910000
Note	
XX : compact version	

Type	Order No.
RS 32ES H/Z	9447900000 (1)
RS 32ES-L H/Z	9447910000
Note	
(1) on demand	

Direct inputs/outputs for digital cards

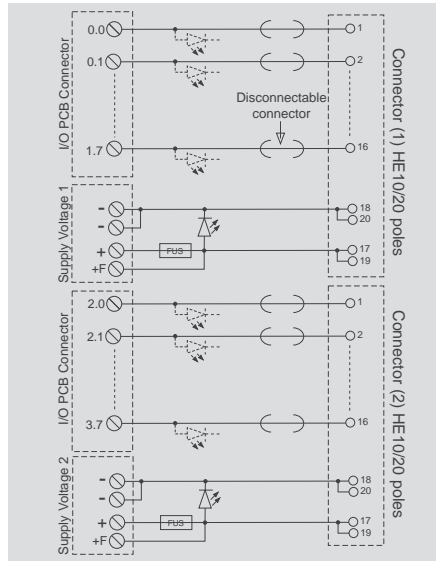
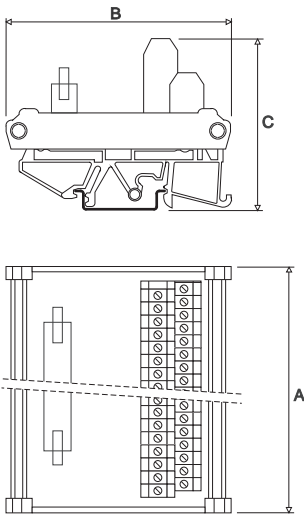
For 32-channel digital I/O cards
System H

RS ES-S-I - 32 disconnectable channels

H System - 1-wire
Version: screw connection



Dimensions



Technical data

Connection

Connection to PLC
Connection type V (screw clamp) Flexible/Solid
Connection type Z (tension clamp) Flexible/Solid

Input-Output Data

Operating voltage
Max. current per channel
Max. total current
Fuse per channel
Disconnection per channel
LED status indication per channel
Polarity distribution
Max. current of joint potential
PLC card supply voltage / LED voltage status
PLC card supply current
PLC card supply current fuse

Insulation coordination (EN50178)

Rated voltage
Overvoltage category
Pollution degree
Insulation test voltage
Ambient temperature
Storage temperature

Dimensions

Length A x width B x height C mm

Note

2 x HE 10 connectors - 20 pole
0.5...4 mm² / 0.5...6 mm² (AWG 26...12)

24 V DC ± 10%
1 A (*)
3 A
-
Yes - each channel
Green
-
-
24 V DC / LED yellow
2 A
3.15 A

< 50 V AC
III
2
0.5 KV DC
-25...50 °C
-40...60 °C

220 x 87.5 x 72

(*) Observe the max. permissible current for the common wires

Ordering data

Screw connection without LED
Screw connection with LED
Tension clamp connection without LED
Tension clamp connection with LED

Note

Type Order No.

RS 32ES-S-I-L H/V 9445870000

**For 32-channel digital I/O cards
System H**

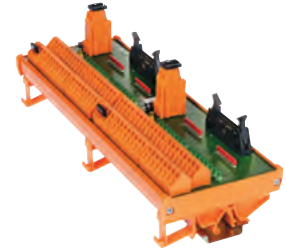
Direct inputs/outputs for digital cards

RS ES-D - 32-channel

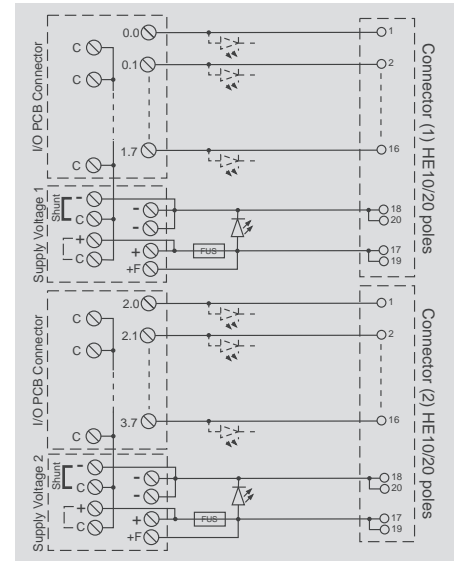
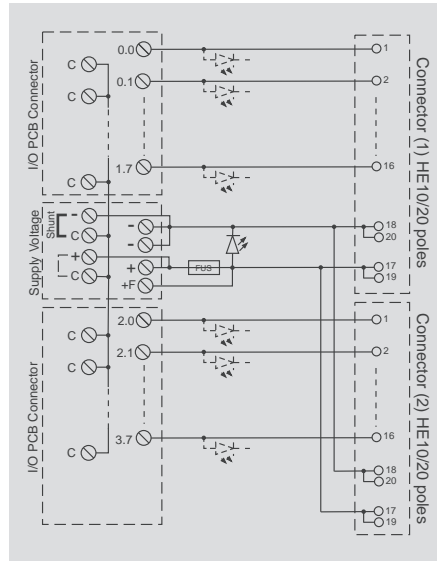
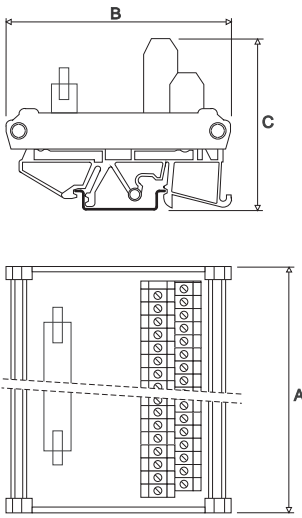
RS ES-D - 32-channel

H-System – 2-wire (common + or –)
Version: screw connection - compact

H-System – 2-wire (common + or –)
Version: tension clamp



Dimensions



Technical data

Connection	
Connection to PLC	
Connection type V (screw clamp) Flexible/Solid	
Connection type Z (tension clamp) Flexible/Solid	
Input-Output Data	
Operating voltage	24 V DC ± 10%
Max. current per channel	1 A (*)
Max. total current	3 A
Fuse per channel	-
Disconnection per channel	-
LED status indication per channel	Green
Polarity distribution	+ or – selectable with a jumper
Max. current of joint potential	3 A
PLC card supply voltage / LED voltage status	24 V DC / LED yellow
PLC card supply current	2 A
PLC card supply current fuse	3.15 A
Insulation coordination (EN50178)	
Rated voltage	< 50 V AC
Overvoltage category	III
Pollution degree	2
Insulation test voltage	0.5 KV DC
Ambient temperature	-25...50 °C
Storage temperature	-40...60 °C
Dimensions	
Length A x width B x height C	170 x 87.5 x 72 X version mm
Length A x width B x height C	mm
Note	
(*) Observe the max. permissible current for the common wires	

Connection	
2 x HE 10 connectors - 20 pole	
0.5...4 mm ² / 0.5...6 mm ² (AWG 26...12)	
Input-Output Data	
Operating voltage	24 V DC ± 10%
Max. current per channel	1 A (*)
Max. total current	3 A
Fuse per channel	-
Disconnection per channel	-
LED status indication per channel	Green
Polarity distribution	+ or – selectable with a jumper
Max. current of joint potential	3 A
PLC card supply voltage / LED voltage status	24 V DC / LED yellow
PLC card supply current	2 A
PLC card supply current fuse	3.15 A
Insulation coordination (EN50178)	
Rated voltage	< 50 V AC
Overvoltage category	III
Pollution degree	2
Insulation test voltage	0.5 KV DC
Ambient temperature	-25...50 °C
Storage temperature	-40...60 °C
Dimensions	
Length A x width B x height C	230 x 87.5 x 72
Length A x width B x height C	mm
Note	
(*) Observe the max. permissible current for the common wires	

Connection	
2 x HE 10 connectors - 20 pole	
0.5...1.5 / 0.5...1.5 mm ² (AWG 16...26)	
Input-Output Data	
Operating voltage	24 V DC ± 10%
Max. current per channel	1 A (*)
Max. total current	3 A
Fuse per channel	-
Disconnection per channel	-
LED status indication per channel	Green
Polarity distribution	+ or – selectable with a jumper
Max. current of joint potential	3 A
PLC card supply voltage / LED voltage status	2 x 24 V DC / LED yellow (for each 16-channel block)
PLC card supply current	2 A
PLC card supply current fuse	3.15 A
Insulation coordination (EN50178)	
Rated voltage	< 50 V AC
Overvoltage category	III
Pollution degree	2
Insulation test voltage	0.5 KV DC
Ambient temperature	-25...50 °C
Storage temperature	-40...60 °C
Dimensions	
Length A x width B x height C	230 x 87.5 x 72
Length A x width B x height C	mm
Note	
(*) Observe the max. permissible current for the common wires	

Ordering data

Screw connection without LED	
Screw connection with LED	
Tension clamp connection without LED	
Tension clamp connection with LED	
Note	
X : compact version	

Type	Order No.
RS 32ES-D-L H/V X	9445930000
Note	
X : compact version	

Type	Order No.
RS 32ES-D-L D/Z	9447930000



Direct inputs/outputs for digital cards

For 32-channel digital I/O cards
System H

RS ES-D-I - 32 disconnectable channels

H-System – 2-wire (common + or –)
Version: screw connection - compact

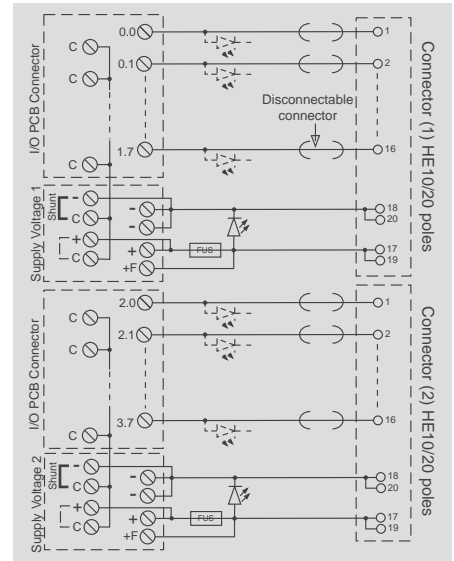
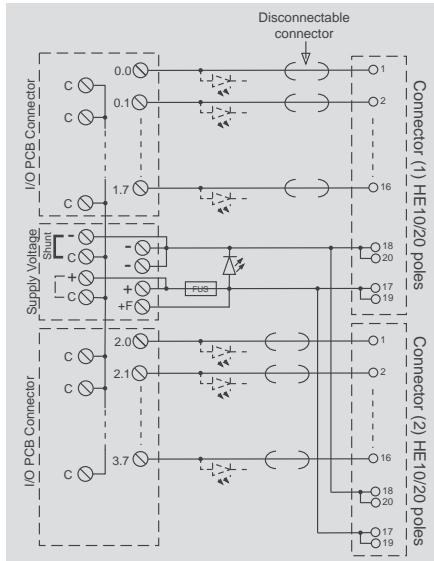
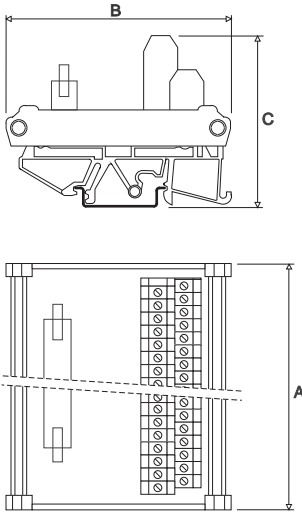


RS ES-D-I - 32 disconnectable channels

H-System – 2-wire (common + or –)
Version: tension clamp



Dimensions



Technical data

Connection	
Connection to PLC	
Connection type V (screw clamp) Flexible/Solid	
Connection type Z (tension clamp) Flexible/Solid	
Input-Output Data	
Operating voltage	24 V DC ± 10%
Max. current per channel	1 A (*)
Max. total current	3 A
Fuse per channel	-
Disconnection per channel	Yes - each channel
LED status indication per channel	Green
Polarity distribution	+ or - selectable with a jumper
Max. current of joint potential	3 A
PLC card supply voltage / LED voltage status	24 V DC / LED yellow
PLC card supply current	2 A
PLC card supply current fuse	3.15 A
Insulation coordination (EN50178)	
Rated voltage	< 50 V AC
Overvoltage category	III
Pollution degree	2
Insulation test voltage	0.5 KV DC
Ambient temperature	-25...50 °C
Storage temperature	-40...60 °C
Dimensions	
Length A x width B x height C	170 x 87.5 x 72 XX version mm
Length A x width B x height C	mm
Note	
(*) Observe the max. permissible current for the common wires	

Connection	
2 x HE 10 connectors - 20 pole	
0.5...4 mm ² / 0.5...6 mm ² (AWG 26...12)	
Input-Output Data	
Operating voltage	24 V DC ± 10%
Max. current per channel	1 A (*)
Max. total current	3 A
Fuse per channel	-
Disconnection per channel	Yes - each channel
LED status indication per channel	Green
Polarity distribution	+ or - selectable with a jumper
Max. current of joint potential	3 A
PLC card supply voltage / LED voltage status	24 V DC / LED yellow
PLC card supply current	2 A
PLC card supply current fuse	3.15 A
Insulation coordination (EN50178)	
Rated voltage	< 50 V AC
Overvoltage category	III
Pollution degree	2
Insulation test voltage	0.5 KV DC
Ambient temperature	-25...50 °C
Storage temperature	-40...60 °C
Dimensions	
Length A x width B x height C	230 x 87.5 x 72
Note	
(*) Observe the max. permissible current for the common wires	

Connection	
2 x HE 10 connectors - 20 pole	
0.5...1.5 / 0.5...1.5 mm ² (AWG 16...26)	
Input-Output Data	
Operating voltage	24 V DC ± 10%
Max. current per channel	1 A (*)
Max. total current	3 A
Fuse per channel	-
Disconnection per channel	Yes - each channel
LED status indication per channel	Green
Polarity distribution	+ or - selectable with a jumper
Max. current of joint potential	3 A
PLC card supply voltage / LED voltage status	24 V DC / LED yellow
PLC card supply current	2 A
PLC card supply current fuse	3.15 A
Insulation coordination (EN50178)	
Rated voltage	< 50 V AC
Overvoltage category	III
Pollution degree	2
Insulation test voltage	0.5 KV DC
Ambient temperature	-25...50 °C
Storage temperature	-40...60 °C
Dimensions	
Length A x width B x height C	230 x 87.5 x 72
Note	
(*) Observe the max. permissible current for the common wires	

Ordering data

Screw connection without LED	
Screw connection with LED	
Tension clamp connection without LED	
Tension clamp connection with LED	
Note	

Type	Order No.
RS 32ES-D-I-L H/V	XX 9445950000
XX : compact version	

Type	Order No.
RS 32ES-D-I-L H/Z	9447950000 ⁽¹⁾
(1) on demand	



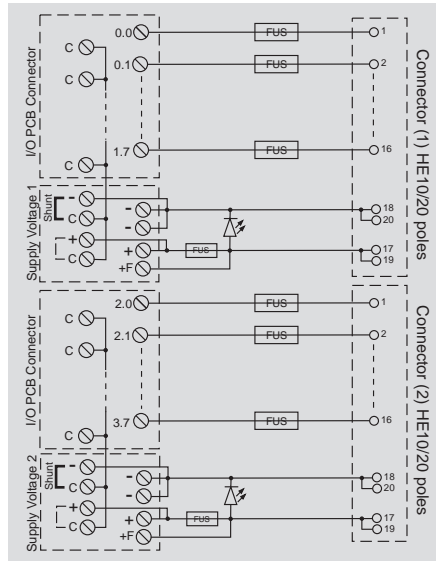
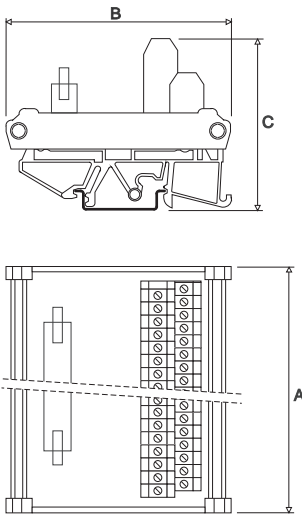
**For 32-channel digital I/O cards
System H**

RS ES-D-F - 32-channel with fuse

H-System – 2-wire (common + or –)
Version: screw connection



Dimensions



Technical data

Connection

Connection to PLC
Connection type V (screw clamp) Flexible/Solid
Connection type Z (tension clamp) Flexible/Solid

Input-Output Data

Operating voltage ≤ 25 V AC 50 V DC
Max. current per channel 1 A (*)
Max. total current 3 A
Fuse per channel 0.5 A fuse on each channel
Disconnection per channel -
LED status indication per channel -
Polarity distribution + or – selectable with a jumper
Max. current of joint potential 3 A
PLC card supply voltage / LED voltage status 24 V DC / LED yellow
PLC card supply current 2 A
PLC card supply current fuse 3.15 A

Insulation coordination (EN50178)

Rated voltage < 50 V AC
Overvoltage category III
Pollution degree 2
Insulation test voltage 0.5 KV DC
Ambient temperature -25...50 °C
Storage temperature -40...60 °C

Dimensions

Length A x width B x height C 248 x 87.5 x 72 mm

Note

(*) Observe the max. permissible current for the common wires

Ordering data

Type	Order No.
Screw connection without LED	9445980000
Screw connection with LED	
Tension clamp connection without LED	
Tension clamp connection with LED	

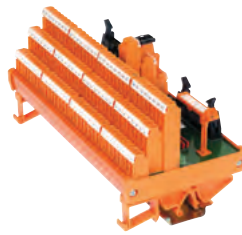
Note

Direct inputs/outputs for digital cards

For 32-channel digital I/O cards
System H

RS ES-T - 32-channel

H System – 3-wire (common + and –)
Version: screw connection - compact

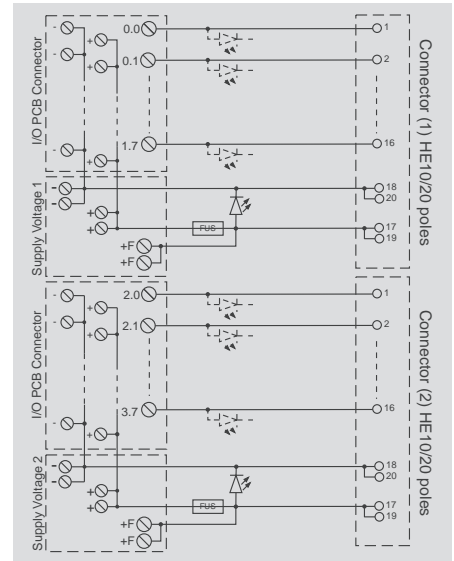
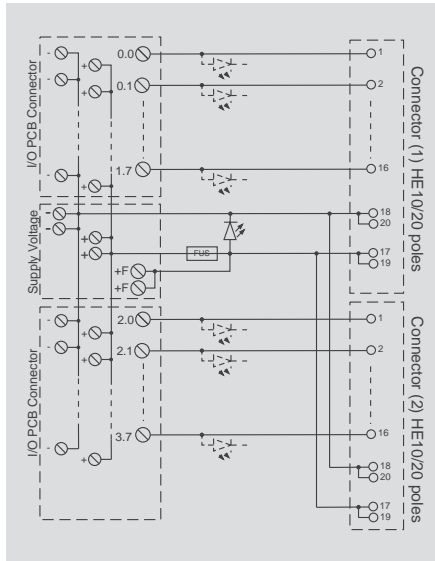
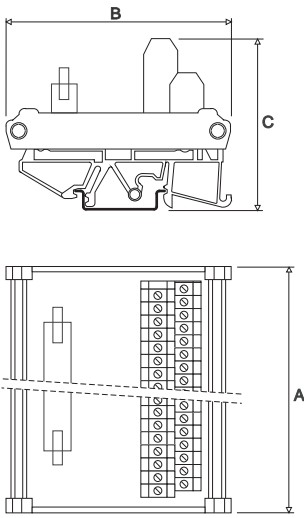


RS ES-T - 32-channel

H System – 3-wire (common + and –)
Version: tension clamp



Dimensions



Technical data

Connection

Connection to PLC
Connection type V (screw clamp) Flexible/Solid
Connection type Z (tension clamp) Flexible/Solid

Input-Output Data

Operating voltage
Max. current per channel
Max. total current
Fuse per channel
Disconnection per channel
LED status indication per channel
Polarity distribution
Max. current of joint potential
PLC card supply voltage / LED voltage status
PLC card supply current
PLC card supply current fuse

Insulation coordination (EN50178)

Rated voltage
Overvoltage category
Pollution degree
Insulation test voltage
Ambient temperature
Storage temperature

Dimensions

Length A x width B x height C X version mm
Length A x width B x height C mm

Note

2 x HE 10 connectors - 20 pole
0.5...4 mm² / 0.5...6 mm² (AWG 26...12)

< 25 V AC 50 V DC (version without LED) / 24 V DC ± 10% (versions with LED)
1 A (*)
3 A
–
–
Green (versions with LED)
+ and –
3 A
24 V DC / LED yellow
2 A
3.15 A

< 50 V AC
III
2
0.5 KV DC
-25...50 °C
-40...60 °C

176 x 87.5 x 72

(*) Observe the max. permissible current for the common wires

2 x HE 10 connectors - 20 pole
0.5...1.5 / 0.5...1.5 mm² (AWG 16...26)

24 V DC ± 10%
1 A (*)
3 A
–
–
Green
+ and –
3 A
2 x 24 V DC / LED yellow (for each 16-channel block)
2 A
3.15 A

< 50 V AC
III
2
0.5 KV DC
-25...50 °C
-40...60 °C

221 x 87.5 x 72

(*) Observe the max. permissible current for the common wires

Ordering data

Screw connection without LED
Screw connection with LED
Tension clamp connection without LED
Tension clamp connection with LED

Note

Type	Order No.
RS 32ES-T H/V X	9445960000
RS 32ES-T-L H/V X	9445970000

X : compact version

Type	Order No.
RS 16ES-T-L H/Z	9447970000

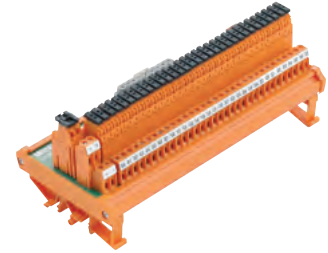
**For 32-channel digital I/O cards
System R**

RS ES - 32-channel

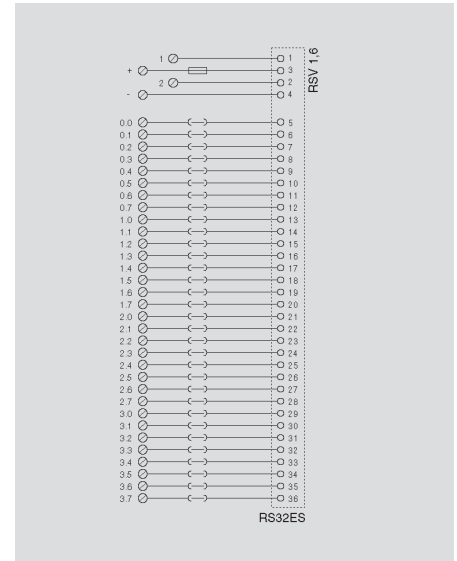
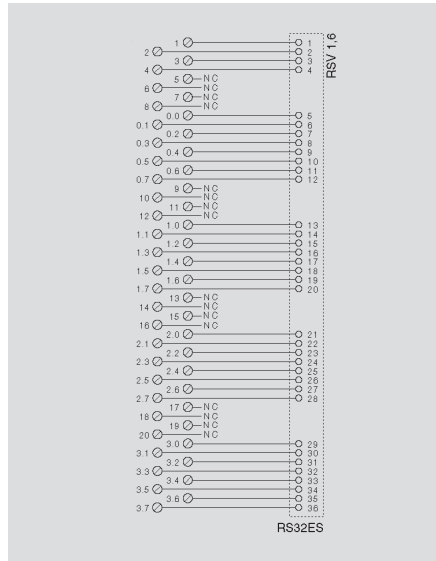
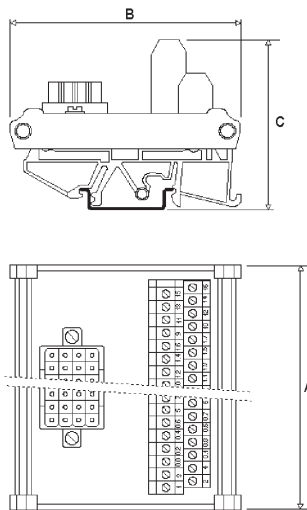
System R – 1-wire cabling
Version: screw connection

RS ES-I – 32 disconnectable channels

System R – 1-wire cabling
Version: screw connection



Dimensions



Technical data

Connection	RS32ES	RS32ES-I
Connection to PLC	RSV 1.6 connector - 36 pole	RSV 1.6 connector - 36 pole
Connection type V (screw clamp) Flexible/Solid	0.5...1.5 mm ² / 0.5...2.5 mm ² (AWG 26...16)	0.5...4 mm ² / 0.5...6 mm ² (AWG 26...12)
Connection type Z (tension clamp) Flexible/Solid		
Input-Output Data		
Operating voltage	max 150 V UC	250 V max
Max. current per channel	1 A (*)	1 A (*)
Max. total current	3 A	3 A
Fuse per channel	-	-
Disconnection per channel	-	Yes - each channel
LED status indication per channel	-	-
Polarity distribution	-	-
Max. current of joint potential	-	-
PLC card supply voltage / LED voltage status	max 150 V UC	max 250 V
PLC card supply current	2 A	2 A
PLC card supply current fuse	-	3.15 A
Insulation coordination (EN50178)		
Rated voltage	< 150 V AC	250 V AC
Overvoltage category	III	III
Pollution degree	2	2
Insulation test voltage	1.1 KV DC	1.7 KV DC
Ambient temperature	-25...50 °C	-25...50 °C
Storage temperature	-40...60 °C	-40...60 °C
Dimensions		
Length A x width B x height C	148 x 87.5 x 72 mm	188 x 87.5 x 72 mm
Note	(*) Observe the max. permissible current for the common wires	(*) Observe the max. permissible current for the common wires

Ordering data

	Type	Order No.	Type	Order No.
Screw connection without LED	RS32ES RSV1,6/V	9441510000	RS32ES-I RSV1,6/V	9441870000
Screw connection with LED				
Note				

**For 32-channel digital I/O cards
System R**

RS ES-DP - 32-channel

R-System – 2-wire (common + or –)
Version: screw connection

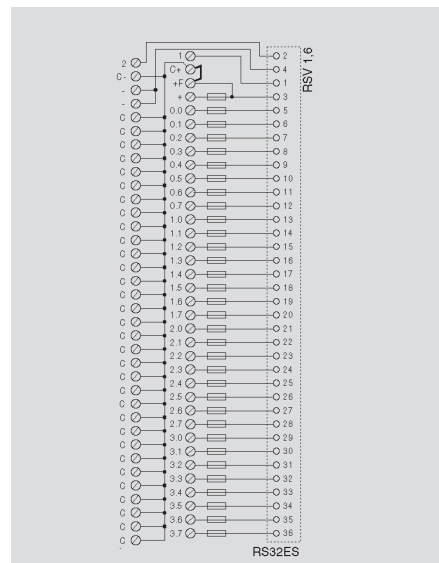
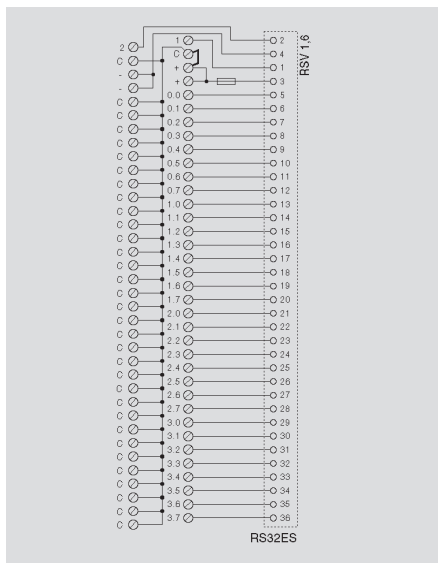
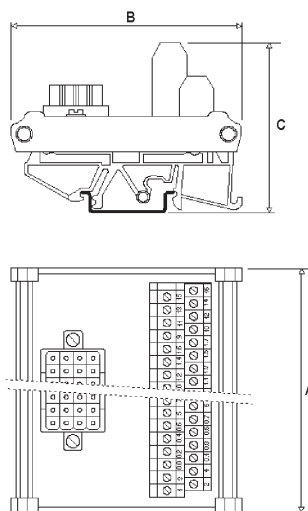


RS ES-DP/F - 32-channel with fuse

R-System – 2-wire (common + or –)
Version: screw connection



Dimensions



Technical data

Connection	
Connection to PLC	
Connection type V (screw clamp) Flexible/Solid	
Connection type Z (tension clamp) Flexible/Solid	
Input-Output Data	
Operating voltage	max 150 V UC
Max. current per channel	1 A (*)
Max. total current	3 A
Fuse per channel	–
Disconnection per channel	–
LED status indication per channel	–
Polarity distribution	+ or – selectable with a jumper
Max. current of joint potential	3 A
PLC card supply voltage / LED voltage status	max 150 V UC
PLC card supply current	2 A
PLC card supply current fuse	3.15 A
Insulation coordination (EN50178)	
Rated voltage	< 150 V AC
Overvoltage category	III
Pollution degree	2
Insulation test voltage	1.1 KV DC
Ambient temperature	-25...50 °C
Storage temperature	-40...60 °C
Dimensions	
Length A x width B x height C	mm 200 x 87.5 x 72
Note	
(*) Observe the max. permissible current for the common wires	

Connection	
RSV 1.6 connector - 36 pole	
0.5...1.5 mm ² / 0.5...2.5 mm ² (AWG 26...16)	
Input-Output Data	
max 150 V UC	
1 A (*)	
3 A	
–	
–	
–	
+ or – selectable with a jumper	
3 A	
max 150 V UC	
2 A	
3.15 A	
Insulation coordination (EN50178)	
< 150 V AC	
III	
2	
1.1 KV DC	
-25...50 °C	
-40...60 °C	
Dimensions	
200 x 87.5 x 72	
Note	
(*) Observe the max. permissible current for the common wires	

Connection	
RSV 1.6 connector - 36 pole	
0.5...1.5 mm ² / 0.5...2.5 mm ² (AWG 26...16)	
Input-Output Data	
max 150 V UC	
1 A (*)	
3 A	
1 A fuse on each channel	
–	
–	
+ or – selectable with a jumper	
3 A	
max 150 V UC	
2 A	
3.15 A	
Insulation coordination (EN50178)	
< 150 V AC	
III	
2	
1.1 KV DC	
-25...50 °C	
-40...60 °C	
Dimensions	
200 x 109 x 84	
Note	
(*) Observe the max. permissible current for the common wires	

Ordering data

Screw connection without LED	
Screw connection with LED	
Note	

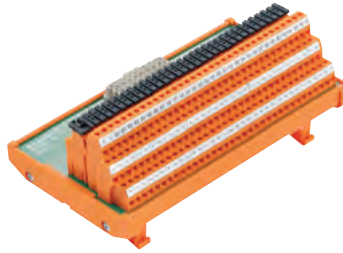
Type	Order No.
RS32ES-DP RSV1,6/V	9441710000
Note	

Type	Order No.
RS32ES-DP/F RSV1,6/V	9441570000 (1)
Note	
(1) on demand	

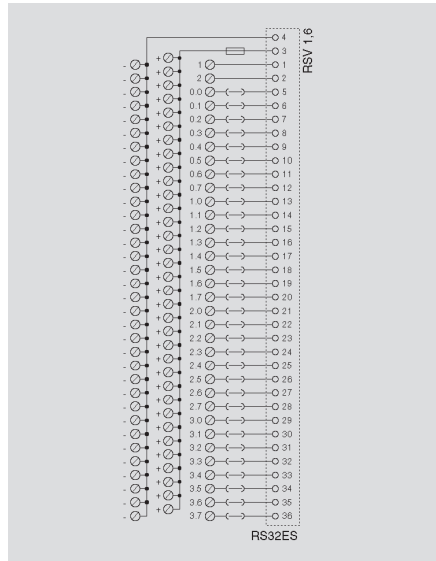
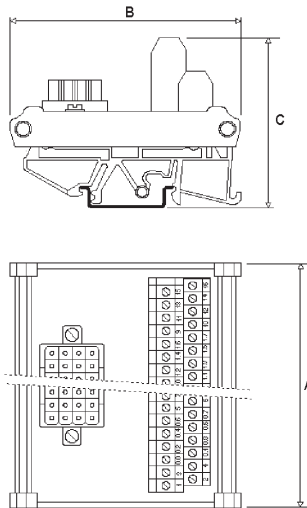
**For 32-channel digital I/O cards
System R**

RS ES-3 E/I - 32 disconnectable channels

R System – 3-wire (common + and –)
Version: screw connection



Dimensions



Technical data

Connection
 Connection to PLC
 Connection type V (screw clamp) Flexible/Solid
 Connection type Z (tension clamp) Flexible/Solid

Input-Output Data
 Operating voltage
 Max. current per channel
 Max. total current
 Fuse per channel
 Disconnection per channel
 LED status indication per channel
 Polarity distribution
 Max. current of joint potential
 PLC card supply voltage / LED voltage status
 PLC card supply current
 PLC card supply current fuse

Insulation coordination (EN50178)
 Rated voltage
 Overvoltage category
 Pollution degree
 Insulation test voltage
 Ambient temperature
 Storage temperature

Dimensions
 Length A x width B x height C mm

Note

Ordering data

Screw connection without LED
 Screw connection with LED

Note

RSV 1.6 connector - 36 pole
 0.5...1.5 mm² / 0.5...2.5 mm² (AWG 26...16)

max 150 V UC
 1 A (*)
 3 A
 –
 Yes - each channel
 –
 + and –
 3 A
 max 150 V UC
 2 A
 3.15 A

< 150 V AC
 III
 2
 1.1 KV DC
 -25...50 °C
 -40...60 °C

188 x 109 x 84

(*) Observe the max. permissible current for the common wires

Type	Order No.
RS32E-3E/I RSV1,6/V	9441610000