

### 1-stage surge protection

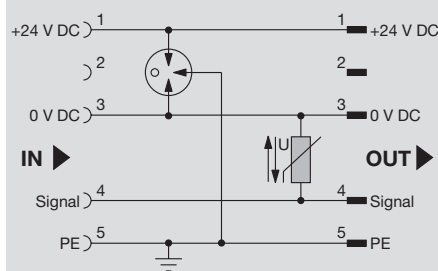
The surge protection is plugged in to protect the sensitive electronics in the signalling circuit.

The suppression circuit with varistor suppresses the induced voltage in solenoid valves.

The PE connection leaves the housing via a separate line. The green/yellow earthing cable must be connected to the system earth to ensure reliable discharge of interference pulses.

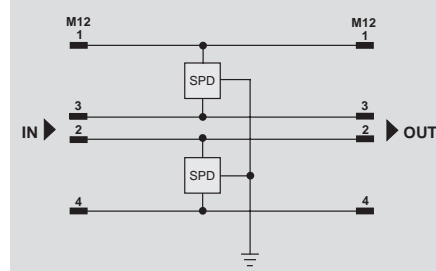
### JPOVP 24 V DC MOV M12

Suppression circuit with diode



### JPOVP Cat.5 M12

Ethernet Cat.5



### Technical data

#### Technical data

Rated voltage  
 Operating voltage (DC), max.  
 Rated discharge current per path (8/20 μs)  
 Total discharge current, max. (8/20 μs)  
 DC response voltage  
 Attenuation  
 Response time  
 Rated current  
 Protection level, signal line, wire to wire/PE  
 Protection level, supply, wire to wire/PE  
 Leakage current at U<sub>n</sub>

#### General data

Operating temperature  
 Surge category  
 Pollution severity  
 Type of connection  
 Approvals

24 V DC  
 28 V  
 5 kA  
 10 kA  
 90 V  
 -  
 ≤ 25 ns  
 2 A  
 230 V/230 V  
 85 V/85 V  
 1 μA

-25 ... 60°C  
 II  
 2  
 M12 - plug/socket, A-coded  
 CE

30 V AC/DC  
 30 V  
 5 kA  
 10 kA  
 230 V  
 < 0.3 dB at 250 Hz  
 ≤ 5 ns  
 0.2 A  
 130 V/600 V  
 80 V/300 V

-25 ... 60°C  
 III  
 2  
 to IEC 61076-2-101-AI; M12 - plug/plug, D-coded  
 CE

#### Dimensions

Clamping range (rating- / min. / max.) mm<sup>2</sup>  
 Length x width x height mm

83 x 36 x 14.4

57 x 36 x 14.4

Each cable 1.5 m long

#### Note

### Ordering data

Type	Qty.	Order No.
JPOVP 24VDC MOV M12	1	8760960000

Type	Qty.	Order No.
JPOVP M12 D-coded Cat5	1	8805570000

#### Note

### Accessories

#### Note

Retaining clip  
 JP CLIP M 8778490000

Retaining clip  
 JP CLIP M 8778490000

**1-stage surge protection**

Jackpac OVP terminal equipment against the overvoltages that can occur as a result of atmospheric discharges or storms. This type of protection in the form of an adapter is available in IP20 and IP67 versions and complies with the requirements of class III to IEC 61643-21.

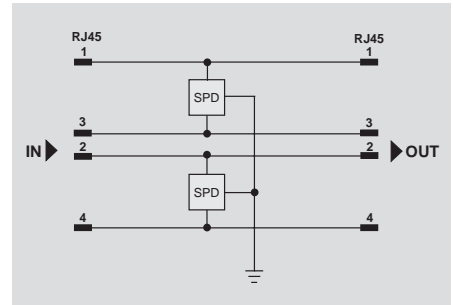
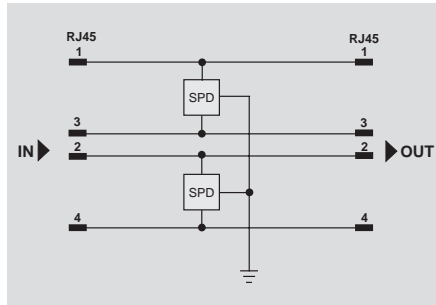
**JPOVP Cat.6 IP20**

**Ethernet Cat.6**



**JPOVP Cat.6 IP67**

**Ethernet Cat.6**



**Technical data**

**Technical data**

Rated voltage  
 Operating voltage (DC), max.  
 Rated discharge current per path (8/20 μs)  
 Total discharge current, max. (8/20 μs)  
 DC response voltage  
 Attenuation  
 Response time  
 Rated current  
 Protection level, signal line, wire to wire/PE  
 Protection level, supply, wire to wire/PE  
 Leakage current at Un

34 V AC / 48 V DC  
 48 V  
 5 kA  
 10 kA  
 230 V  
 < 0,3 dB at 250 Hz  
 ≤ 5 ns  
 0,2 A  
 130 V/600 V  
 80 V/300 V

34 V AC / 48 V DC  
 48 V  
 5 kA  
 10 kA  
 230 V  
 < 0,3 dB at 250 Hz  
 ≤ 5 ns  
 0,2 A  
 130 V/600 V  
 80 V/300 V

**General data**

Operating temperature  
 Surge category  
 Pollution severity  
 Type of connection  
 Approvals

-25 ... 60°C  
 III  
 2  
 RJ45 plug;IP 20  
 CE

-25 ... 60°C  
 III  
 2  
 RJ45 plug;IP 67  
 CE

**Dimensions**

Clamping range (rating- / min. / max.) mm<sup>2</sup>  
 Length x width x height mm

53 x 36 x 14,4

53 x 36 x 14,4

**Note**

each with 1.5 m cable

each with 1 m cable and IP67 cable gland

**Ordering data**

Type	Qty.	Order No.
JPOVP RJ45 Cat6 IP20	1	8805550000

Type	Qty.	Order No.
JPOVP RJ45 Cat6 IP67	1	8805560000

**Note**

**Accessories**

**Note**

Retaining clip  
 JP CLIP M 8778490000

Retaining clip  
 JP CLIP M 8778490000

### 3-stage surge protection

With gas discharge tube, varistor and suppression diode.

For protecting binary switching signals up to 24 V, or for analogue measuring circuits with 0...20 mA or 0...10 V.

The PE connection leaves the housing via a separate line. The green/yellow cable must be securely connected to the systems earth to ensure reliable discharging of interference pulses.

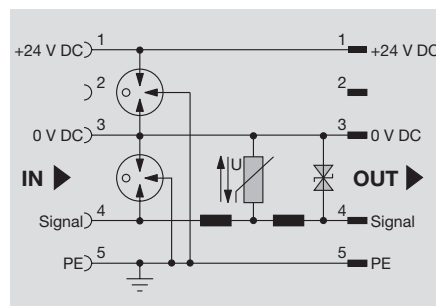
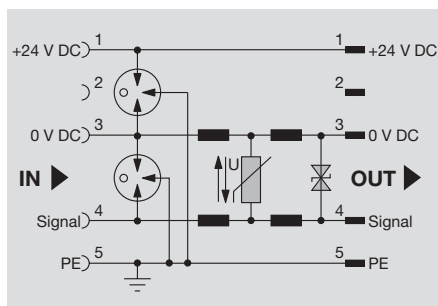
### JPOVP 24 V DC ANA M12

for analogue signals



### JPOVP 24 V DC BIN M12

for digital signals



### Technical data

#### Technical data

Rated voltage  
 Operating voltage (DC), max.  
 Rated discharge current per path (8/20 µs)  
 Total discharge current, max. (8/20 µs)  
 DC response voltage  
 Varistor  
 Suppression diodes  
 Response time  
 Rated current  
 Protection level, signal line, wire to wire/PE  
 Protection level, supply, wire to wire/PE  
 Leakage current at Un

24 V DC  
 28 V  
 5 kA  
 10 kA  
 90 V  
 30 V  
 yes  
 ≤ 100 ps  
 2 A  
 45 V/65 V  
 85 V/85 V  
 1 µA

24 V DC  
 28 V  
 5 kA  
 10 kA  
 90 V  
 30 V  
 yes  
 ≤ 100 ps  
 2 A  
 45 V/65 V  
 85 V/85 V  
 1 µA

#### General data

Operating temperature  
 Surge category  
 Pollution severity  
 Type of connection  
 Approvals

-25 ... 60°C  
 II  
 2  
 M12 - plug/socket, A-coded  
 CE

-25 ... 60°C  
 II  
 2  
 M12 - plug/socket, A-coded  
 CE

#### Dimensions

Clamping range (rating- / min. / max.) mm<sup>2</sup>  
 Length x width x height mm

83 x 36 x 14

83 x 36 x 14

#### Note

### Ordering data

Type	Qty.	Order No.
JPOVP 24VDC ANA M12	1	8760970000

Type	Qty.	Order No.
JPOVP 24VDC BIN M12	1	8760980000

#### Note

### Accessories

#### Note

Retaining clip  
 JP CLIP M 8778490000

Retaining clip  
 JP CLIP M 8778490000