

## Klippon® TB-Series

### Sheet steel enclosures for use in Hazardous areas

Weidmüller has upgraded its classic "Klippon®" TB-series - specially for in-process demands.

Applications:

- Oil
- Gas
- Chemicals
- Energy
- Water
- Recycling

Features:

- Electropolished stainless steel and painted sheet steel
- 6 sizes
- 2 or 4 flange plates
- Lid opens 180° and is detachable
- Mounting clips for flexible interior mounting
- Extended gland plate surfaces
- Certified to ATEX



**Our assembly service supplies the enclosure ready for connection and suitable for every application.**

### Technical data

Material	up to Klippon® TB 484815	Sheet steel or stainless steel 1.4404	1.50 mm
	from Klippon® TB 765015	Sheet steel or stainless steel 1.4404	2.03 mm
	Flange	Sheet steel or stainless steel 1.4404	3.25 mm – on request also in stainless steel 1.4404 6 mm
Surface	Painted	RAL 7032	
	Stainless steel	Electropolished	
Gaskets	Neoprene (cover and flange plates)		
Lid fixing	Fully detachable lid with 4 or 6 captive hex screws		
Earthing	Earthing stud M10		
Enclosure mounting	4 external lugs with 10 mm spacing holes/slots		
Equipment mounting	4 or 6 mounting clips with M 6 threaded hole		
Protection class	IP 66 and IP 67		
Impact resistance	7J		
Temperature range	–40°C to +85°C, 100°C for 1 hour		

### Approvals

SIRA 02ATEX3200 U

 II 2 GD EEx e II

SIRA 02ATEX3201

II 1 GD EEx ia IIC T6  
 II 2 GD EEx e II T6  
 II 2 GD EEx ed IIC T6

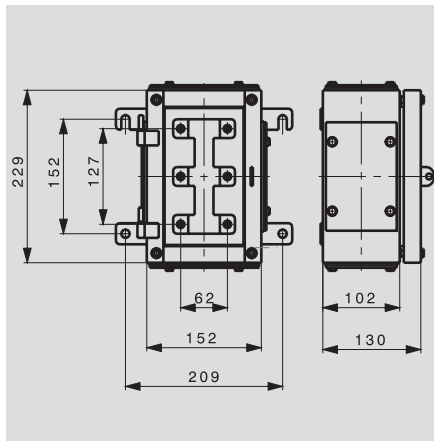
# Klippon® TB-Series

## Sheet steel enclosures for hazardous Area applications



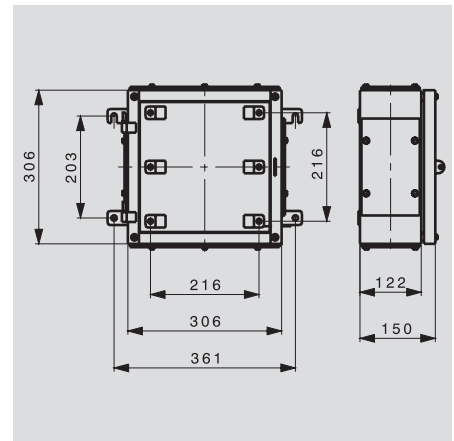
**Length x Width x Height** mm

### Klippon TB 221513



**229 x 152 x 130**

### Klippon TB 303015



**306 x 306 x 150**

### Technical data

#### Dimensions

Inner height	mm	102
Weight	g	3375

#### Cable entries

M16	6
M20	3
M25	2
M32	1
M40	
M50	

#### Terminal equipment

WDU 2.5 / ZDU 2.5	25
WDU 4 / ZDU 4	21
WDU 6 / ZDU 6	16
WDU 10 / ZDU 10	12

#### Information

The horizontal spacing of the fixing lugs is reduced by 30mm in the versions without gland plates on the sides.

Inner height	mm	122
Weight	g	6582

M16	26
M20	14
M25	8
M32	4
M40	3
M50	3

WDU 2.5 / ZDU 2.5	78
WDU 4 / ZDU 4	66
WDU 6 / ZDU 6	50
WDU 10 / ZDU 10	40

The horizontal spacing of the fixing lugs is reduced by 30mm in the versions without gland plates on the sides.

### Ordering data

<b>Painted</b>
2 gland sides (top and bottom)
4 gland sides (all sides)

<b>Stainless steel</b>
2 gland sides (top and bottom)
4 gland sides (all sides)

#### Information

<b>Type</b>		
Klippon TB221513M/S 2GP	1829280000	
Klippon TB221513M/S 4GP	1829290000	
Klippon TB221513S/S 2GP	1829260000	
Klippon TB221513S/S 4GP	1829270000	

<b>Type</b>		
Klippon TB303015M/S 2GP	1829320000	
Klippon TB303015M/S 4GP	1829330000	
Klippon TB303015S/S 2GP	1829300000	
Klippon TB303015S/S 4GP	1829310000	

### Accessories

<b>Mounting plate</b>	
Painted, RAL 7032	
Stainless steel	

<b>Other accessories</b>	
Padlock, brass, with 2 keys	
Screwdriver, hexagon 10 mm, insulated	
Screwdriver, hexagon 10 mm, non-insulated	

<b>Type</b>	<b>Qty.</b>	<b>Order No.</b>
MP TB221513 MS	1	1853530000
MP TB221513 SS	1	1853440000
Padlock	1	9509140000
ISK 10.0x126	10	9008940000
SK 10.0x125	10	9009070000

<b>Type</b>	<b>Qty.</b>	<b>Order No.</b>
MP TB303015 MS	1	1853560000
MP TB303015 SS	1	1853450000
Padlock	1	9509140000
ISK 10.0x126	10	9008940000
SK 10.0x125	10	9009070000

#### Information

For screwdrivers see chapter Tools, Page N.54 ff.

For screwdrivers see chapter Tools, Page N.54 ff.

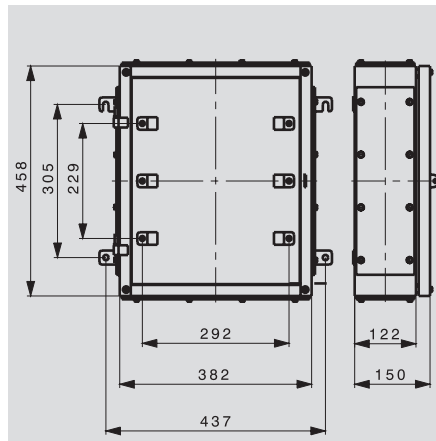
Articles with coloured order number are kept permanently in stock at the central warehouse in Germany.  
Delivery times see page X.2

# Klippon® TB-Series

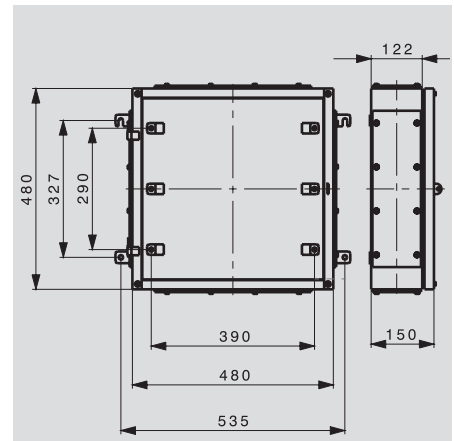
Sheet steel enclosures for hazardous Area applications



## Klippon TB 453815



## Klippon TB 484815



Length x Width x Height mm

458 x 382 x 150

480 x 480 x 150

### Technical data

#### Dimensions

Inner height	mm	122
Weight	g	10249

#### Cable entries

M16	29
M20	18
M25	10
M32	6
M40	5
M50	4

Top / Bottom	Left / Right
29	29
18	18
10	10
6	6
5	5
4	4

Top / Bottom	Left / Right
29	29
18	18
10	10
6	6
5	5
4	4

#### Terminal equipment

WDU 2.5 / ZDU 2.5	207
WDU 4 / ZDU 4	174
WDU 6 / ZDU 6	132
WDU 10 / ZDU 10	105

292
244
184
148

292
244
184
148

#### Information

The horizontal spacing of the fixing lugs is reduced by 30mm in the versions without gland plates on the sides.

The horizontal spacing of the fixing lugs is reduced by 30mm in the versions without gland plates on the sides.

### Ordering data

#### Painted

2 gland sides (top and bottom)	Klippon TB453815M/S 2GP	1829360000
4 gland sides (all sides)	Klippon TB453815M/S 4GP	1829370000

#### Stainless steel

2 gland sides (top and bottom)	Klippon TB453815S/S 2GP	1829340000
4 gland sides (all sides)	Klippon TB453815S/S 4GP	1829350000

#### Information

Type	Order No.
Klippon TB484815M/S 2GP	1829400000
Klippon TB484815M/S 4GP	1829410000
Klippon TB484815S/S 2GP	1829380000
Klippon TB484815S/S 4GP	1829390000

Type	Order No.
Klippon TB484815M/S 2GP	1829400000
Klippon TB484815M/S 4GP	1829410000
Klippon TB484815S/S 2GP	1829380000
Klippon TB484815S/S 4GP	1829390000

### Accessories

#### Mounting plate

Painted, RAL 7032	MP TB453815 MS	1	1853590000
Stainless steel	MP TB453815 SS	1	1853470000

#### Other accessories

Padlock, brass, with 2 keys	Padlock	1	9509140000
Screwdriver, hexagon 10 mm, insulated	ISK 10.0x126	10	9008940000
Screwdriver, hexagon 10 mm, non-insulated	SK 10.0x125	10	9009070000

Type	Qty.	Order No.
MP TB453815 MS	1	1853590000
MP TB453815 SS	1	1853470000
Padlock	1	9509140000
ISK 10.0x126	10	9008940000
SK 10.0x125	10	9009070000

Type	Qty.	Order No.
MP TB484815 MS	1	1854800000
MP TB484815 SS	1	1854790000
Padlock	1	9509140000
ISK 10.0x126	10	9008940000
SK 10.0x125	10	9009070000

#### Information

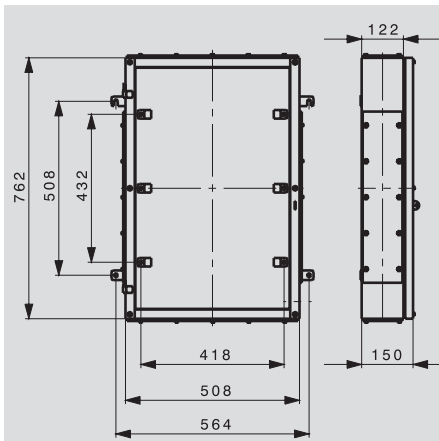
For screwdrivers see chapter Tools, Page N.54 ff.

For screwdrivers see chapter Tools, Page N.54 ff.

Articles with coloured order number are kept permanently in stock at the central warehouse in Germany. Delivery times see page X.2

# Klippon® TB-Series

## Klippon TB 765015



**762 x 508 x 150**

122  
22170

Top / Bottom	Left / Right
42	42
24	24
16	14
8	8
7	7
6	6

508  
424  
320  
256

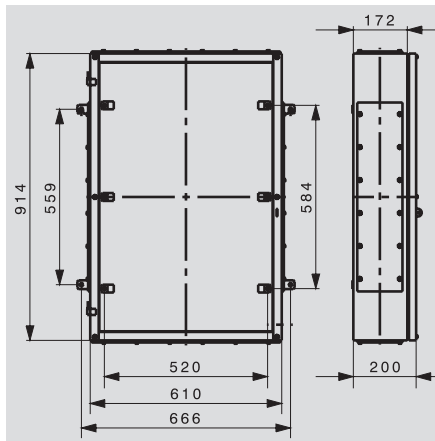
The horizontal spacing of the fixing lugs is reduced by 30mm in the versions without gland plates on the sides.

Type	Order No.
Klippon TB765015M/S 2GP	1829440000
Klippon TB765015M/S 4GP	1829450000
Klippon TB765015S/S 2GP	1829420000
Klippon TB765015S/S 4GP	1829430000

Type	Qty.	Order No.
MP TB765015 MS	1	1853610000
MP TB765015 SS	1	1853480000
Padlock	1	9509140000
ISK 10.0x126	10	9008940000
SK 10.0x125	10	9009070000

For screwdrivers see chapter Tools, Page N.54 ff.

## Klippon TB 916120



**914 x 610 x 200**

172  
31000

Top / Bottom	Left / Right
72	72
42	42
24	24
18	18
8	8
7	7

780  
655  
495  
395

The horizontal spacing of the fixing lugs is reduced by 30mm in the versions without gland plates on the sides.

Type	Order No.
Klippon TB916120M/S 2GP	1829480000
Klippon TB916120M/S 4GP	1829490000
Klippon TB916120S/S 2GP	1829460000
Klippon TB916120S/S 4GP	1829470000

Type	Qty.	Order No.
MP TB916120 MS	1	1853630000
MP TB916120 SS	1	1853510000
Padlock	1	9509140000
ISK 10.0x126	10	9008940000
SK 10.0x125	10	9009070000

For screwdrivers see chapter Tools, Page N.54 ff.

Articles with coloured order number are kept permanently in stock at the central warehouse in Germany.  
Delivery times see page X.2

## TB-Series

### Sheet steel enclosures

For many years the TB-Series of enclosures has proven its worth in rough industrial environments. Here it offers the same technical features as the NextT-Series.

The stainless steel versions of this series are recommended for corrosion protection.

Features:

- 6 sizes in 2 material versions
- 2 or 4 gland plates
- Lid opens 180°
- Concealed hinges
- Internal/External earthing stud
- Fixing lugs

**Our assembly service can supply these enclosures pre-assembled with terminals and cable glands according to customer requirements.**



### Technical data

Material	TB 10-12G	Sheet steel or stainless steel 316L 1.4404 1.50 mm
	TB13-14	Sheet steel or stainless steel 316L 1.4404 2.03 mm (14 SWG)
	Gland	Sheet steel or stainless steel 316L 1.4404 3.25 mm (10 SWG)
Surface	Painted	RAL 7032
	Stainless steel	Polished, chemically dipped
Gasket		Chloroprene (lid and gland plate)
Lid fixing		Fully detachable hinged lid with 4 or 6 captive hexagon screws
Earthing		Internal/External earthing stud M10
Enclosure mounting		4 external lugs with 10 mm spacing holes/slots
Equipment mounting		4 spacers, external diameter 10 mm, M 6x10 mm thread
Protection class		IP 66
Impact resistance		7J
Temperature range		-40°C to +85°C, 100°C for 1 h

### Approvals

BAS 01ATEX2209 U

 II 2 GD EEx e II

BAS 01ATEX2210 X

 II 2 GD T85°C EEx e II T6

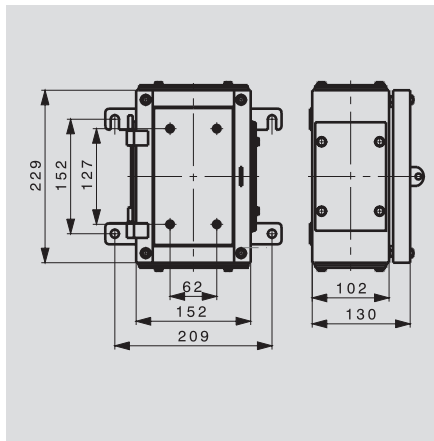
# TB-Series

## Sheet steel enclosures for harsh environments



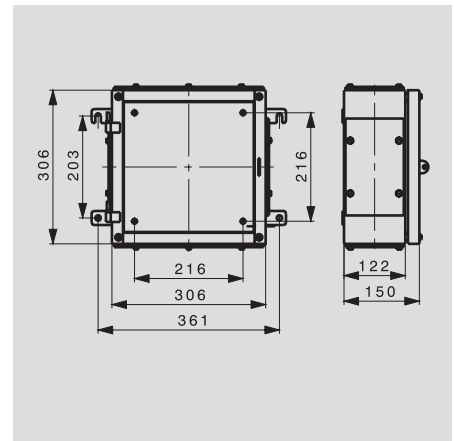
Length x Width x Height mm

### TB 10



229 x 152 x 130

### TB 11



306 x 306 x 150

### Technical data

#### Dimensions

Inner height	mm	100
Weight	g	3375

#### Cable entries

M16	8
M20	6
M25	3
M32	2
M40	1
M50	

#### Terminal equipment

WDU 2.5 / ZDU 2.5	25
WDU 4 / ZDU 4	21
WDU 6 / ZDU 6	16
WDU 10 / ZDU 10	12

#### Information

The horizontal spacing of the fixing lugs is reduced by 30mm in the versions without gland plates on the sides.

The horizontal spacing of the fixing lugs is reduced by 30mm in the versions without gland plates on the sides.

### Ordering data

#### Painted

2 gland sides (top and bottom)	
4 gland sides (all sides)	

#### Stainless steel

2 gland sides (top and bottom)	
4 gland sides (all sides)	

#### Information

#### Type

TB10 2GP BOX PAINT	3802800000
TB10 4GP BOX PAINT	3801100000
TB10 2GP ST/ST	3800600000
TB10 4GP ST/ST	3802100000

#### Type

TB11 2GP BOX PAINT	3802900000
TB11 4GP BOX PAINT	3801200000
TB11 2GP ST/ST	3800700000
TB11 4GP ST/ST	3802200000

### Accessories

#### Mounting plate

Painted, RAL 2000	
Stainless steel	

#### Spacer M6

Set of 2 pieces each	15 mm
	20 mm
	30 mm

#### Other accessories

Padlock, brass, with 2 keys	
Screwdriver, hexagon 10 mm, insulated	
Screwdriver, hexagon 10 mm, non-insulated	

Type	Qty.	Order No.
MP Next 22/15 2000	1	9513370000
MP Next 22/15 ss	1	9513320000
SP 15	1	3896100000
SP 20	1	3896200000
SP 30	1	3896300000
Padlock	1	9509140000
ISK 10.0x126	10	9008940000
SK 10.0x125	10	9009070000

Type	Qty.	Order No.
MP Next 30/30 2000	1	9513380000
MP Next 30/30 ss	1	9513330000
SP 15	1	3896100000
SP 20	1	3896200000
SP 30	1	3896300000
Padlock	1	9509140000
ISK 10.0x126	10	9008940000
SK 10.0x125	10	9009070000

#### Information

For screwdrivers see chapter Tools, Page N.54 ff.

For screwdrivers see chapter Tools, Page N.54 ff.

Articles with coloured order number are kept permanently in stock at the central warehouse in Germany.  
Delivery times see page X.2

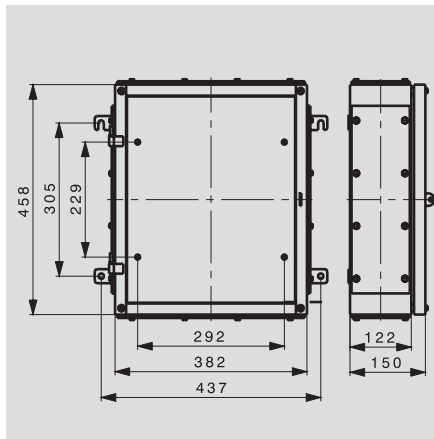
# TB-Series

## Sheet steel enclosures for harsh environments



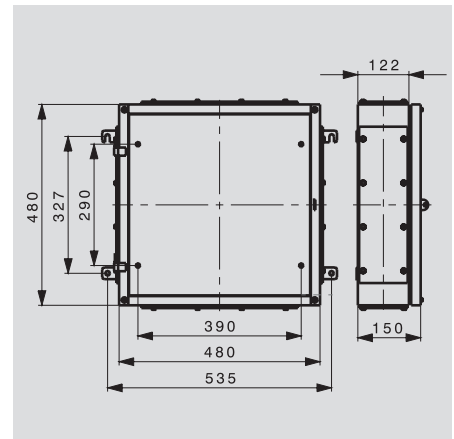
Length x Width x Height mm

### TB 12



458 x 382 x 150

### TB 12a



480 x 480 x 150

### Technical data

#### Dimensions

Inner height	mm	120
Weight	g	10249

#### Cable entries

	Top / Bottom	Left / Right
M16	41	41
M20	22	22
M25	18	18
M32	7	7
M40	5	5
M50	4	4

#### Terminal equipment

WDU 2.5 / ZDU 2.5	207
WDU 4 / ZDU 4	174
WDU 6 / ZDU 6	132
WDU 10 / ZDU 10	105

#### Information

The horizontal spacing of the fixing lugs is reduced by 30mm in the versions without gland plates on the sides.

The horizontal spacing of the fixing lugs is reduced by 30mm in the versions without gland plates on the sides.

### Ordering data

#### Painted

2 gland sides (top and bottom)	3803000000
4 gland sides (all sides)	3801300000

#### Stainless steel

2 gland sides (top and bottom)	3800800000
4 gland sides (all sides)	3802300000

#### Information

#### Type

TB12 PAINTED 2GP	Qty.	Order No.	3803000000
TB12 4GP BOX PAINT	Qty.	Order No.	3801300000
TB 12 ST/ST 2GP	Qty.	Order No.	3800800000
TB12 4GP ST/ST	Qty.	Order No.	3802300000

#### Type

TB12A 2g/pl ptd	Qty.	Order No.	9504000000
TB12A 4GP BOX PAINT	Qty.	Order No.	9517940000
TB12A 2g/pl s/s	Qty.	Order No.	9500010000
TB12A 4GP ST/ST	Qty.	Order No.	9518020000

### Accessories

#### Mounting plate

Painted, RAL 2000	MP Next 45/38 2000	Qty.	Order No.	9513390000
Stainless steel	MP Next 45/38 ss	Qty.	Order No.	9513340000

#### Spacer M6

Set of 2 pieces each	15 mm	Qty.	Order No.	3896100000
	20 mm	Qty.	Order No.	3896200000
	30 mm	Qty.	Order No.	3896300000

#### Other accessories

Padlock, brass, with 2 keys	1	Order No.	9509140000
Screwdriver, hexagon 10 mm, insulated	10	Order No.	9008940000
Screwdriver, hexagon 10 mm, non-insulated	10	Order No.	9009070000

Type	Qty.	Order No.
MP Next 45/38 2000	1	9513390000
MP Next 45/38 ss	1	9513340000
SP 15	1	3896100000
SP 20	1	3896200000
SP 30	1	3896300000
Padlock	1	9509140000
ISK 10.0x126	10	9008940000
SK 10.0x125	10	9009070000

Type	Qty.	Order No.
MP Next 48/48 2000	1	9518190000
MP Next 48/48 ss	1	9518180000
SP 15	1	3896100000
SP 20	1	3896200000
SP 30	1	3896300000
Padlock	1	9509140000
ISK 10.0x126	10	9008940000
SK 10.0x125	10	9009070000

#### Information

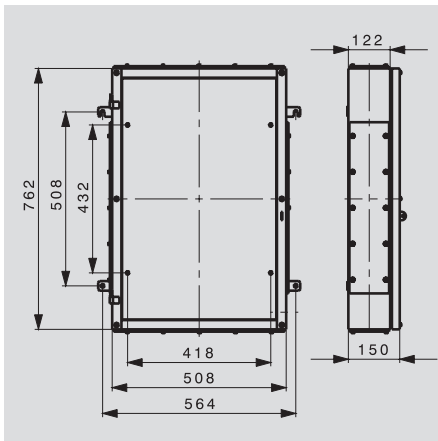
For screwdrivers see chapter Tools, Page N.54 ff.

For screwdrivers see chapter Tools, Page N.54 ff.

Articles with coloured order number are kept permanently in stock at the central warehouse in Germany.  
Delivery times see page X.2

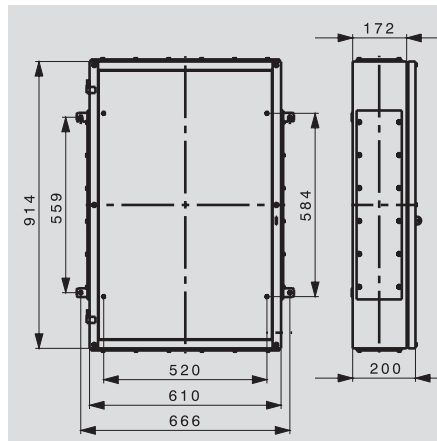
# TB-Series

## TB 13



**762 x 508 x 150**

## TB 14



**914 x 610 x 200**

120
22170

Top / Bottom	Left / Right
56	56
30	30
24	24
9	9
8	8
6	6

508
424
320
264

The horizontal spacing of the fixing lugs is reduced by 30mm in the versions without gland plates on the sides.

172
31000

Top / Bottom	Left / Right
69	69
36	36
30	30
12	12
9	9
7	7

780
655
495
395

The horizontal spacing of the fixing lugs is reduced by 30mm in the versions without gland plates on the sides.

Type	Order No.
TB 13 PAINTED 2GP	3803100000
TB13 4GP BOX PAINT	3801400000
TB 13 ST/ST 2GP	3800900000
TB13 4GP ST/ST	3802400000

Type	Order No.
TB14/5 2GP BOX PAINT	3803200000
TB14 4gpl ptd	3801500000
TB14 2gpl s/s	3801000000
TB14 4GP ST/ST	3802500000

Type	Qty.	Order No.
MP NextT 76/50 2000	1	9513400000
MP NextT 76/50 ss	1	9513350000
SP 15	1	3896100000
SP 20	1	3896200000
SP 30	1	3896300000
Padlock	1	9509140000
ISK 10.0x126	10	9008940000
SK 10.0x125	10	9009070000

Type	Qty.	Order No.
MP NextT 91/61 2000	1	9513410000
MP NextT 91/61 ss	1	9513360000
SP 15	1	3896100000
SP 20	1	3896200000
SP 30	1	3896300000
Padlock	1	9509140000
ISK 10.0x126	10	9008940000
SK 10.0x125	10	9009070000

For screwdrivers see chapter Tools, Page N.54 ff.

For screwdrivers see chapter Tools, Page N.54 ff.

Articles with coloured order number are kept permanently in stock at the central warehouse in Germany.  
Delivery times see page X.2