

LPD350

3½-digit digital display, in loop-powered (two-wire) design

The LPD350 is a compact, cost effective, 3½ digit digital indicator designed specifically for current loop signals. The decimal point can be moved to any position (1.XXX, 1X.XX, 1XX.X or 1XXX) so that it can display values in a range of ± 1999 .

D

The LPD350 uses a liquid crystal display which can be read even under poor lighting conditions.

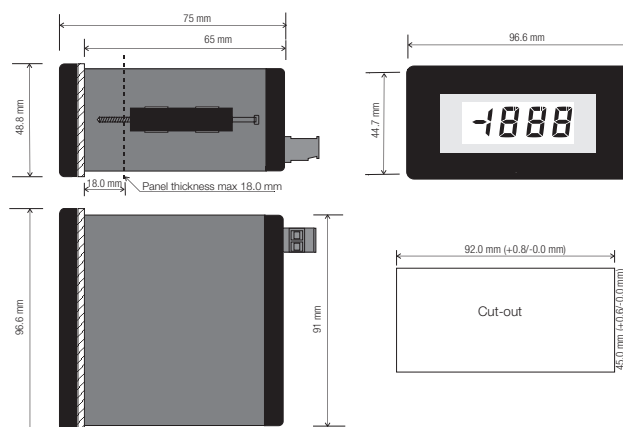
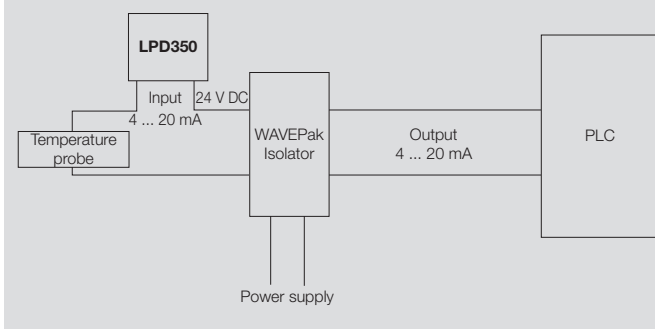
No additional wiring is needed for a power supply. The user can simply break the loop and connect to the LPD350.

The housing has a DIN-standard 1/8 front panel with IP65 protection. The connection uses pluggable screw-connection elements.

Technical features:

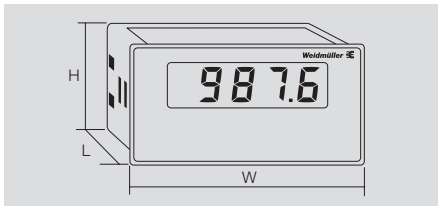
- Large 3½-digit digital LED display
- 4...20 mA input
- Loop-powered two-wire design (125 Ω loop load)
- Direct or reverse-action display
- Linearity is ± 0.1 % of the corresponding signal range
- DIN-standard front-panel with IP65 protection
- Pluggable screw-connection mechanism

Typical application of LPD350



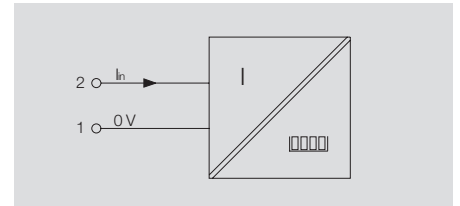
LPD350

- Display instrument for control panel installation
- 1/8 DIN standard front
- 3½ Digits
- IP65 fully insulated
- Pluggable connection terminals



LPD350

Current input



Technical data

Input	
Type	
Input current	
Voltage drop	
Input resistance	
Input current, max.	
Input current, max. when wired incorrectly	
Display	
Type	
Display range	
Format	
Settings	
Fine calibration	
Offset	
Range of adjustment	
General data	
Accuracy	
Repeat accuracy	
Temperature coefficient	
Step response time	
Sampling rate	
Operating temperature/Storage temperature	
EMC standards	
Approvals	

Current input	
4...20 mA	
2.5 V @ 20 mA	
125 Ω	
100 mA constant / 500 mA for 10 sec.	
500 mA constant	
3,5 digits, black LCD with clear background, 12.7 mm	
-1999...1999	
1-line	
Potentiometer, 20 turns	
± 1999 digital steps in two switching ranges	
0...3998 in three switching ranges	
± 0.05 % from signal range ± 1 digital step	
± 0.05 % of signal range	
Offset ± 0,1 digital steps per °C	
Adjustment range ± 0,1 digital steps per °C	
200 ms (10...90 %)	
2,5 x per sec.	
-20 °C...+70 °C/-25 °C...+85 °C	
DIN EN 61326	
CE; cULus	

Connections

Terminal	Signal
1	Input -
2	Input +

Data of Housing	
Clamping range (rating- / min. / max.)	mm²
Type of connection / Terminal rail	
Type of Housing / Weight	
Length x width x height	mm
Note	

1.5 / 0.5 / 2.5
Screw connection / Control panel assembly
Plastic enclosure / 480 g
75 x 96.6 x 48.8

Ordering data

Type	
Current input	
Special adjustment	
Note	

Type	Qty.	Order No.
LPD350 4-20mA/0-100.0	1	7940010163
LPD350 Variabel	1	8944990000
Note		
Additional input and output versions available on request		

Accessories

Note