

LPD450F

Intrinsically safe 4 ½-digit digital display, in loop-powered (two-wire) design for field mounting

The LPD450F is a field instrument which permits the universal display of process variables.

The display is loop powered by the 4...20 mA current loop with no external supply required. The twenty-mm LCD displays can be read even under poor light conditions.

A sheet of perforated self-adhesive labels comes included in delivery. They include standard engineering units and can be used for all label needs. Traffolyte labels are also available as an option for both engineering units and tag numbers.

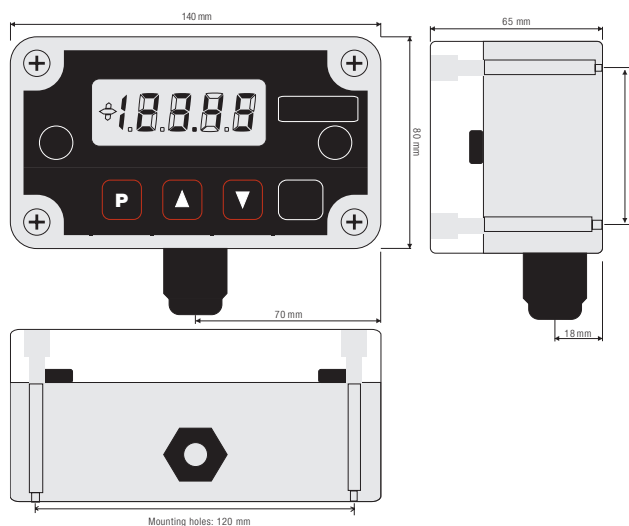
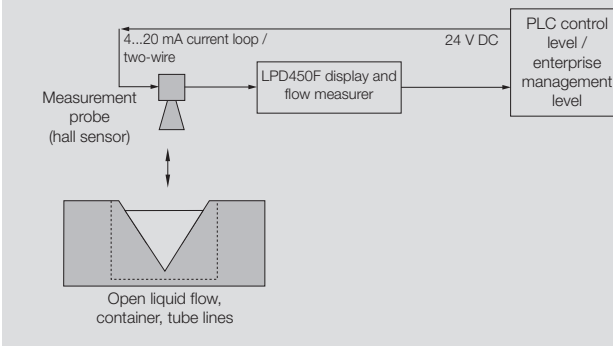
The electronic subassembly is housed in a rugged, glass reinforced polycarbonate, IP67 case. This housing is suitable for any industrial environment.

Optionally available is a pipe mounting bracket which can be used for horizontal and vertical mounting.

Technical features:

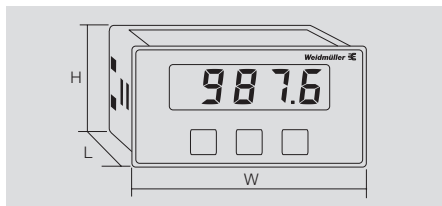
- Big 20 mm LCD display
- 4...20 mA inputs (two-wire loop-powered)
- Integrated signal linearization ($\sqrt{\quad}$, $x^{3/2}$, $x^{5/2}$ or user-defined)
- Min./max. value display feature
- IP67 protection
- Pipe mount bracket option

Typical application of LPD450F



LPD450F

- Display instrument for outdoor use
- 4½ Digits
- IP67 fully insulated
- Optionally available with fixing clips for pipe mounting



Technical data

Input	
Input current	4...20 mA
Transmit function	$\sqrt{\quad}$, $x^{2.2}$, $x^{5.2}$ or programmable (2-21 steps)
Display	
Type	4,5-character, black LCD with clear background, 20 mm
Display value	Percentage or real value display
Display range	± 19.999 (0.00...100.00 factory setting)
Decimal point	18888, 1.8888, 18.888, 188.88, 1888.8
General data	
Voltage supply	Loop-current powered, via a 4...20 mA input
Voltage drop	< 4.3 V
Accuracy	$\pm 0.05\%$ from signal range ± 1 digital step
Repeat accuracy	$\pm 0.01\%$ of signal range
Temperature coefficient	Offset $\pm 0.01\%$ / °C
Humidity	Adjustment range ± 0.1 digital steps or 0.01 % / °C
Step response time	10 to 90 % (no condensation)
Sampling rate	Programmable in 99 steps from 1...30 sec.
Change of display	16 x per sec.
Data backup	2 x per sec.
Operating temperature/Storage temperature	≥ 100 years
EMC standards	0 °C...+60 °C/-25°C...+70°C
Approvals	DIN EN 61326
	CE; cULus

Data of Housing	
Clamping range (rating- / min. / max.)	mm² 1.5 / 0.5 / 2.5
Type of connection / Terminal rail	Screw connection
Type of Housing / Weight	Plastic enclosure / 500 g
Length x width x height	mm 65 x 140 x 80

Note

Ordering data

Type	
Current input	
Special adjustment	

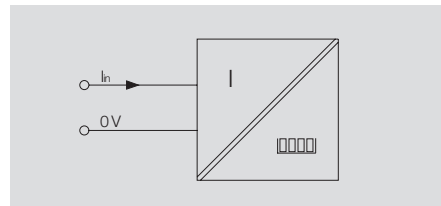
Note

Accessories

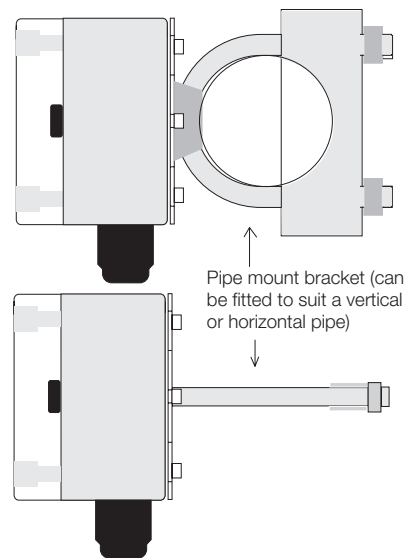
Note	Fixing clip Pipe Mount Kit - 7940010667
-------------	--

LPD450F

Current input



Mounting sketch



D