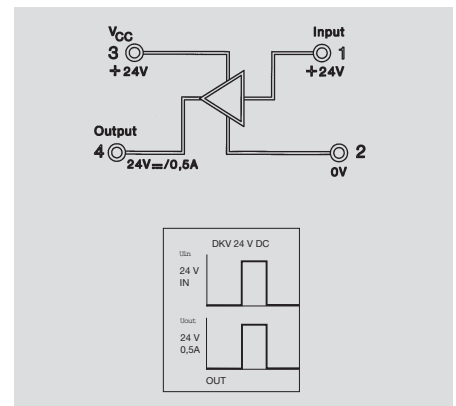
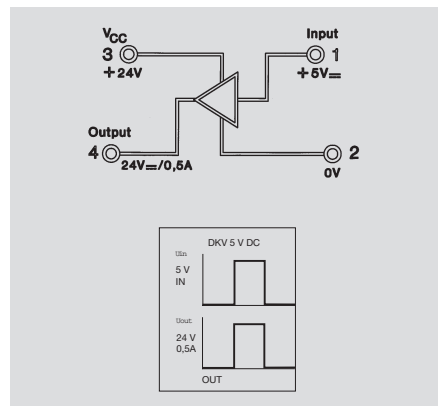
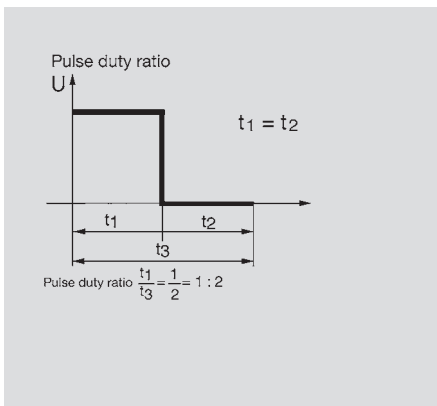
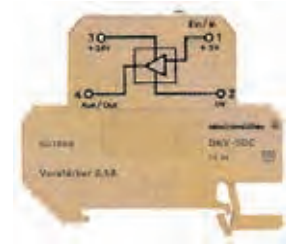
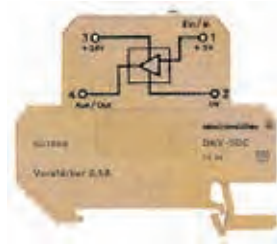


Inputs and outputs

Amplified DKV

DKV 5 V DC

DKV 24 V DC



Technical data

Input voltage	5 V DC ± 10 % off: ≤ 1.5 V on: ≥ 4.5 V	24 V DC ± 10 % off: ≤ 6 V on: ≥ 20.4 V
Switching threshold	approx. 3 V	approx. 13 V
Input current	100 µA	5 mA
Power loss, max.	500 µW	550 mW
Output voltage	24 V DC	24 V DC
Output current, max.	500 mA	500 mA
Output current, min.	50 µA	50 µA
Switching frequency, max.; duty factor 1:2	3 kHz	3 kHz
Voltage drop at max. load	≤ 450 mV	≤ 900 mV
Block-state current	≤ 20 µA	≥ 50 µA
Insulation coordination as per EN 50178	no galvanic isolation between input and output	no galvanic isolation between input and output
Operating temperature	without spacing -25 °C ... +40 °C with spacing -25 °C ... +50 °C	-25 °C ... +40 °C -25 °C ... +50 °C
Storage temperature	-40 °C ... +85 °C	-25 °C ... +85 °C
Conductor	AWG 22 ... 12	AWG 22 ... 12
Conductor cross-section	0.5 ... 4 mm ²	0.5 ... 4 mm ²
Width	6 mm	6 mm

Ordering data

for TS 35	Type DKV 5 V DC	Order No. 8018590000	Type DKV 24 V DC	Order No. 8015790000
	input at bottom		input at bottom	

Accessories

End plate	Type AP DKT4	Order No. 0687560000	Type AP DKT4	Order No. 0687560000
-----------	------------------------	--------------------------------	------------------------	--------------------------------

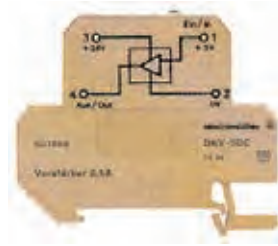
Function components

Inputs and outputs

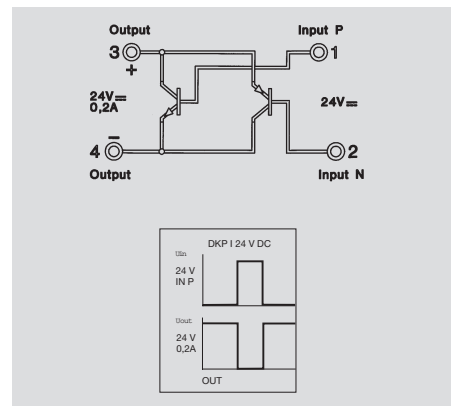
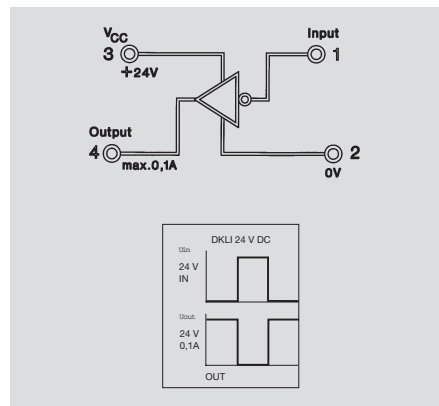
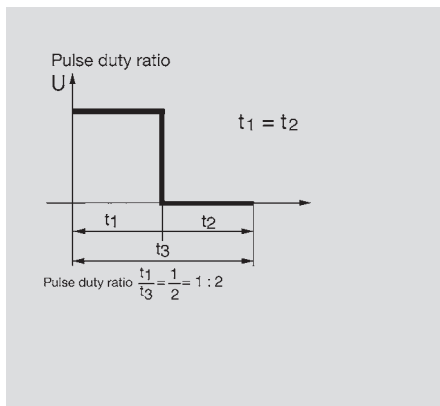
Inverter

DKLI 24 V DC

DKPI 24 V DC



C



Technical data

Input voltage	
Switching threshold	
Input current	
Power loss, max.	
Output voltage	
Output current, max.	
Output current, min.	
Switching frequency, max.; duty factor 1:2	
Voltage drop at max. load	
Block-state current	
Insulation coordination as per EN 50178	
Operating temperature	without spacing
	with spacing
Storage temperature	
Conductor	
Conductor cross-section	
Width	

24 V DC ± 10 % off: ≥ 20.4 V on: ≤ 4 V	
approx. 8 V	
7,5 mA	
230 mW	
24 V DC locked	
100 mA 0 mA	
50 µA	
3 kHz	
100 mV	
≤ 50 µA	
no isolation between input and output	
-25 °C ... +40 °C	
-25 °C ... +50 °C	
-40 °C ... +85 °C	
AWG 22 ... 12	
0.5 ... 4 mm ²	
6 mm	

P: 24 V DC ± 10 % N: -2.4...+2.4 V DC	
P: approx. 18 V / N: approx. 8 V	
approx. 8 mA	
approx. 500 mW	
24 V DC	
200 mA	
50 µA	
3 kHz	
≤ 1,5 V	
≤ 50 µA	
no isolation between input and output	
-25 °C ... +40 °C	
-25 °C ... +50 °C	
-25 °C ... +85 °C	
AWG 22 ... 12	
0.5 ... 4 mm ²	
6 mm	

Ordering data

for TS 35

Type	Order No.
DKLI 24 V DC	8010950000
input at bottom	

Type	Order No.
DKPI 24 V DC	8019530000
input at bottom	

Accessories

End plate

Type	Order No.
AP DKT4	0687560000

Type	Order No.
AP DKT4	0687560000