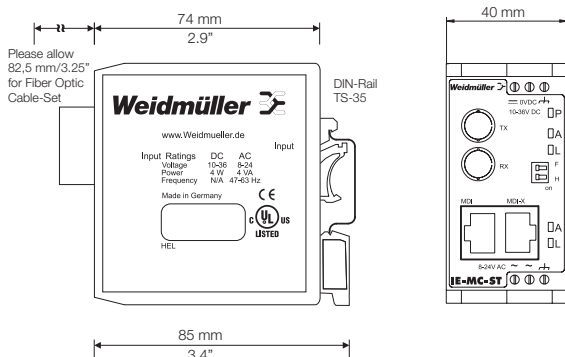


Media converters

- Transparent in network
- For mounting on TS32 and TS35
- Transmission distances up to 20 km
- Multimode or singlemode



Media converters

The media converters of the Weidmüller IE-MC WaveLine can be switched between half duplex and full duplex by means of a small switch. This means they can be used in demanding real-time applications. Transparency in RapidRing™ is therefore no problem!

In the multimode variation, interference-free transmission over distances of up to 2 km is possible, and up to 20 km with the singlemode variation. Longer transmission distances on request.

Technical data

Housing	Plastic
Length/Width/Height	85 mm/40 mm/79 mm
AC input voltage, min.-max.	8-24 V AC
DC input voltage, min.-max.	10-36 V DC
AC input power/DC	4 VA AC/4 Watt DC
Input frequency	DC; 47 - 63 Hz AC
Operating temperature, min.-max.	0 °C ... 60 °C
Storage temperature, min.-max.	-40 °C ... 85 °C
Installation	TS 32/35
Ingress protection class	IP 20
Standard	ANSI / IEEE 802.3
Data rate	RJ45/100m: 100BASE-TX Connection for fibre optic: 100BASE-FX (1310 nm) Multimode up to 2 km Singlemode up to 20 km Transparent
Status indication	Power/Data rate; Connection/Activity
Approvals	cULus;CE
Optical budget	8 dB for 62,5/125 µm multimode cable 4 dB for 50/125 µm multimode cable 13 dB for 9/125 µm singlemode cable

Ordering data

Ports	Type	Order No.
1x RJ45 MDI; 1x RJ45 MDI-X; 1x SC-MM	IE-MC-SC	8808220000
1x RJ45 MDI; 1x RJ45 MDI-X; 1x SC-SM	IE-MC-SC-SM	8848840000
1x RJ45 MDI; 1x RJ45 MDI-X; 1x ST-MM	IE-MC-ST	8808190000

Note

Singlemode design up to 120 km on request

Accessories

Type	Order No.
RJ45 dust protection plug	IE-DPC 8813490000

Note