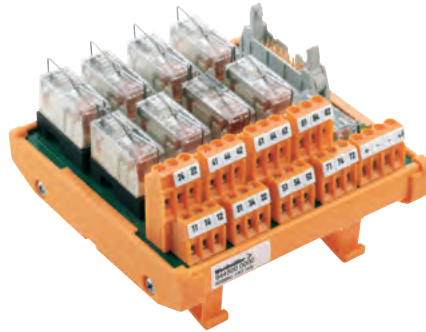


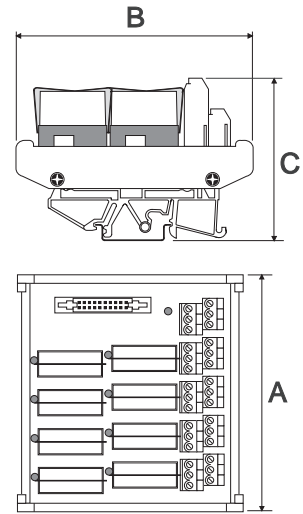
For 8-channel digital output cards

RSM-C – 8-channel

H System – 1CO relay  
Versions: screw / tension clamp



Dimensions



Technical data

<b>Connection</b>	
Connection to PLC	HE 10 connector - 20 pole
Connection type V (screw clamp) Flexible/Solid	0.5...4 mm <sup>2</sup> / 0.5...6 mm <sup>2</sup> (AWG 26...12)
Connection type Z (tension clamp) Flexible/Solid	0.2...1.5 mm <sup>2</sup> / 0.2...2.5 mm <sup>2</sup> (AWG 24...14)
<b>Input data</b>	
Coil rated voltage	24 V ±10%
Coil rated current/power	17 mA / 0.4 W
Coil status indicator	LED green
PLC card supply current fuse	3.15 A
I/O card max. supply current	2 A
<b>Output data</b>	
Contact configuration	1CO
Max. switching power/voltage	3000 VA / 250 V AC
Relay type	16 A version
Max. continuous/inrush current	5 A/16 A
Contact material	AgNi 90/10
Fuse (contact)	-
Mechanical service life	30 x 10 <sup>6</sup> operations
<b>Insulation coordination (EN50178)</b>	
Rated voltage	250 V AC
Overvoltage category	III
Pollution degree	2
Insulation test voltage	1.2 KVrms
Ambient temperature	-25...40 °C
Storage temperature	-40...60 °C

<b>Dimensions</b>	
Length A x width B x height C	mm 110 x 109 x 68

<b>Note</b>	(*) No main-circuits
-------------	----------------------

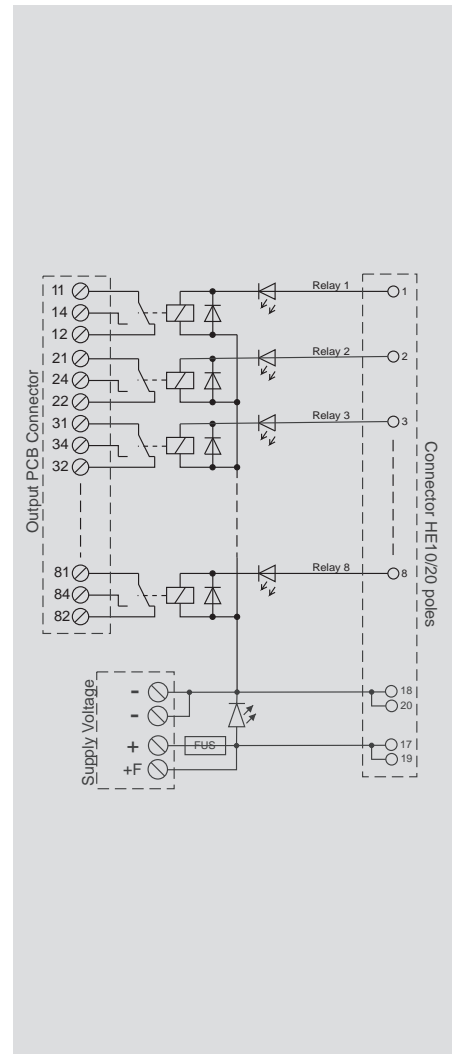
Ordering data

	<b>Type</b>	<b>Order No.</b>
Screw connection	RSM8C-1CO H/V	944500000
Tension clamp connection	RSM8C-1CO H/Z	944700000

<b>Note</b>	
-------------	--

Accessories

<b>Note</b>	Relay RCL314024 - 8693260000	Static relay ODC - 8576340000	Static relay OAC - 8576370000
-------------	------------------------------	-------------------------------	-------------------------------

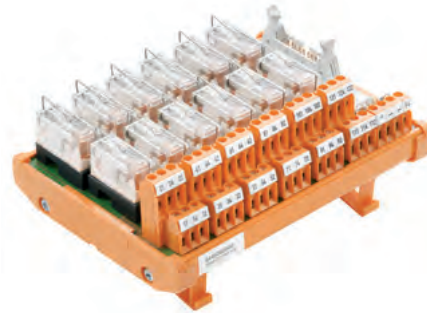


## Relay outputs for digital cards

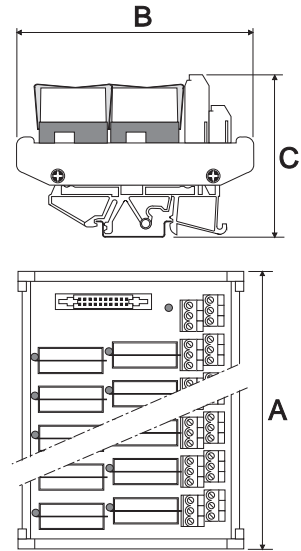
### For 12-channel digital output cards

### RSM-C – 12-channel

H System – 1CO relay  
Version: screw connection



### Dimensions



### Technical data

<b>Connection</b>	
Connection to PLC	HE 10 connector - 20 pole
Connection type V (screw clamp) Flexible/Solid	0.5...4 mm <sup>2</sup> / 0.5...6 mm <sup>2</sup> (AWG 26...12)
Connection type Z (tension clamp) Flexible/Solid	-
<b>Input data</b>	
Coil rated voltage	24 V ±10%
Coil rated current/power	17 mA / 0.4 W
Coil status indicator	LED green
PLC card supply current fuse	3.15 A
I/O card max. supply current	2 A
<b>Output data</b>	
Contact configuration	1CO
Max. switching power/voltage	3000 VA / 250 V AC
Relay type	16 A version
Max. continuous/inrush current	5 A/16 A
Contact material	AgNi 90/10
Fuse (contact)	-
Mechanical service life	30 x 10 <sup>6</sup> operations
<b>Insulation coordination (EN50178)</b>	
Rated voltage	250 V AC
Overvoltage category	III
Pollution degree	2
Insulation test voltage	1.2 KVrms
Ambient temperature	-25...40 °C
Storage temperature	-40...60 °C

<b>Dimensions</b>	
Length A x width B x height C	mm 147 x 109 x 68

<b>Note</b>	(*) No main-circuits
-------------	----------------------

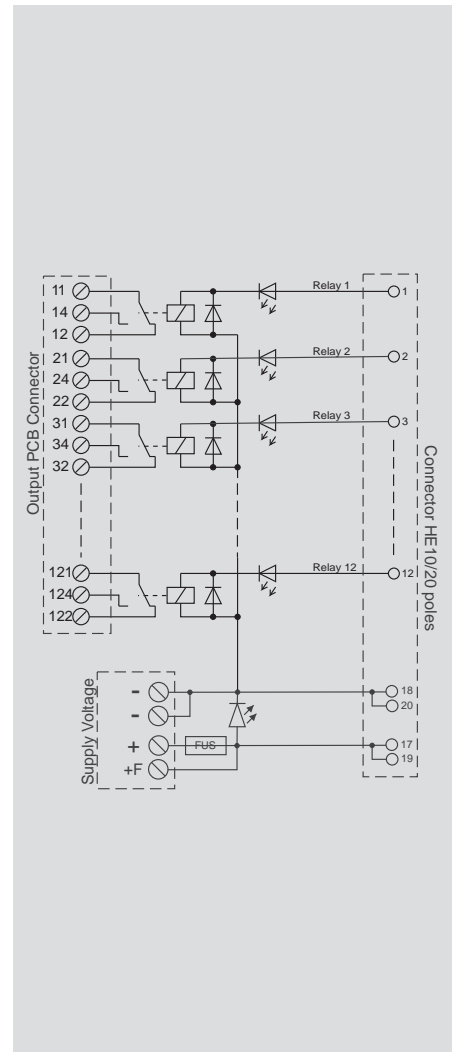
### Ordering data

	Screw connection	<b>Type</b>	RSM12C-1CO HV	<b>Order No.</b>	9445060000
	Tension clamp connection				

<b>Note</b>	
-------------	--

### Accessories

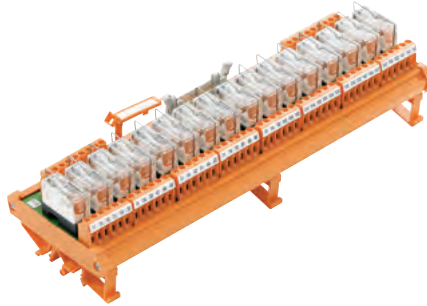
<b>Note</b>	Relay RCL314024 - 869326000	Static relay ODC - 8576340000	Static relay OAC - 8576370000
-------------	-----------------------------	-------------------------------	-------------------------------



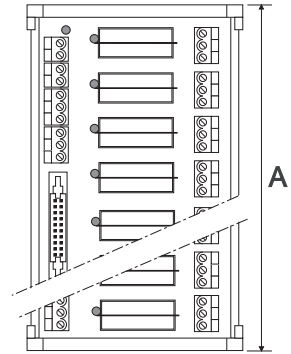
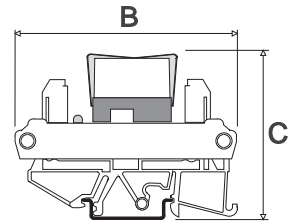
For 16-channel digital output cards

RSM-S – 16-channel

1CO relay  
Versions: screw / tension clamp



Dimensions



Technical data

<b>Connection</b>	
Connection to PLC	HE 10 connector - 20 pole
Connection type V (screw clamp) Flexible/Solid	0.5...4 mm <sup>2</sup> / 0.5...6 mm <sup>2</sup> (AWG 26...12)
Connection type Z (tension clamp) Flexible/Solid	0.5...1.5 / 0.5...1.5 mm <sup>2</sup> (AWG 16...26)
<b>Input data</b>	
Coil rated voltage	24 V ±10%
Coil rated current/power	22 mA / 0.5 W
Coil status indicator	LED green
PLC card supply current fuse	-
I/O card max. supply current	2 A
<b>Output data</b>	
Contact configuration	1CO
Max. switching power/voltage	3000 VA / 250 V AC
Relay type	16 A version
Max. continuous/inrush current	5 A/16 A
Contact material	AgNi 90/10
Fuse (contact)	-
Mechanical service life	30 x 10 <sup>6</sup> operations
<b>Insulation coordination (EN50178)</b>	
Rated voltage	250 V AC
Overvoltage category	III
Pollution degree	2
Insulation test voltage	1.2kVrms
Ambient temperature	-25...40 °C
Storage temperature	-40...60 °C

<b>Dimensions</b>	
Length A x width B x height C	mm 267 x 87.5 x 68

<b>Note</b>	(*) No main-circuits
-------------	----------------------

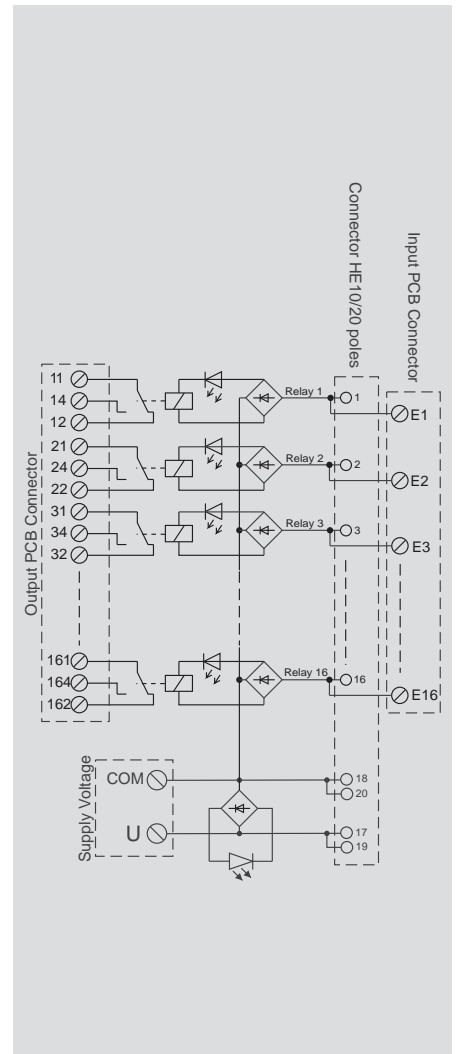
Ordering data

Type	Order No.
Screw connection RSM16-NV/1CO 24V (-/+)	9444610000
Tension clamp connection RSM16-NZ/1CO 24V (-/+)	9444660000

<b>Note</b>	
-------------	--

Accessories

<b>Note</b>	Relay RCL314024 - 8693260000	Static relay ODC - 8576340000	Static relay OAC - 8576370000
-------------	------------------------------	-------------------------------	-------------------------------

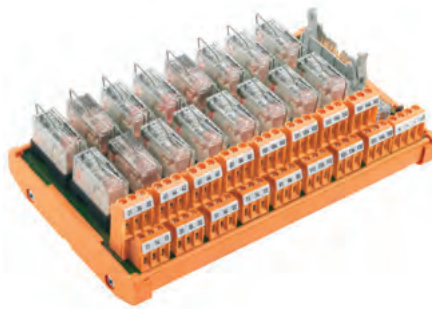


## Relay outputs for digital cards

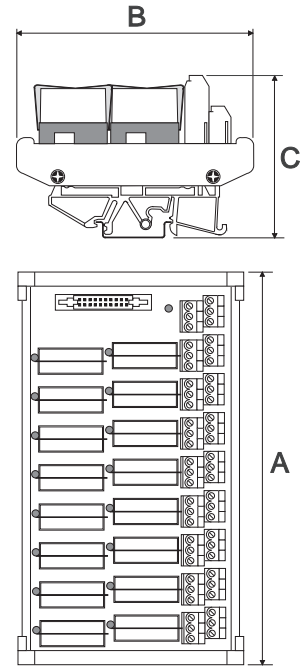
### For 16-channel digital output cards

### RSM-C – 16-channel

H System – 1CO relay  
Versions: screw / tension clamp



### Dimensions



### Technical data

<b>Connection</b>	
Connection to PLC	HE 10 connector - 20 pole
Connection type V (screw clamp) Flexible/Solid	0.5...4 mm <sup>2</sup> / 0.5...6 mm <sup>2</sup> (AWG 26...12)
Connection type Z (tension clamp) Flexible/Solid	0.2...1.5 mm <sup>2</sup> / 0.2...2.5 mm <sup>2</sup> (AWG 24...14)
<b>Input data</b>	
Coil rated voltage	24 V ±10%
Coil rated current/power	17 mA / 0.4 W
Coil status indicator	LED green
PLC card supply current fuse	3.15 A
I/O card max. supply current	2 A
<b>Output data</b>	
Contact configuration	1CO
Max. switching power/voltage	3000 VA / 250 V AC
Relay type	16 A version
Max. continuous/inrush current	5 A/16 A
Contact material	AgNi 90/10
Fuse (contact)	-
Mechanical service life	30 x 10 <sup>6</sup> operations
<b>Insulation coordination (EN50178)</b>	
Rated voltage	250 V AC
Overvoltage category	III
Pollution degree	2
Insulation test voltage	1.2 KVrms
Ambient temperature	-25...40 °C
Storage temperature	-40...60 °C

<b>Dimensions</b>	
Length A x width B x height C	mm 185 x 109 x 68

<b>Note</b>	(*) No main-circuits
-------------	----------------------

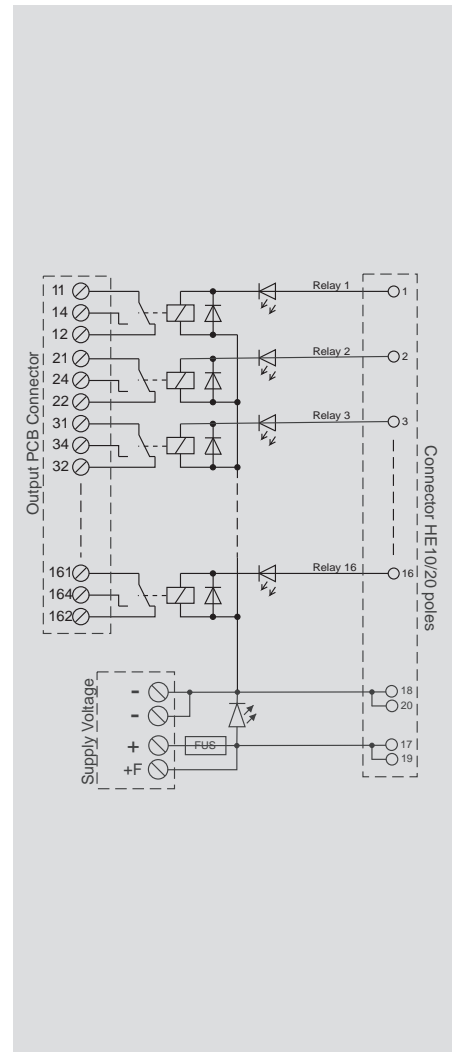
### Ordering data

	Type	Order No.
Screw connection	RSM16C-1CO H/V	9445100000
Tension clamp connection	RSM16C-1CO H/Z	9447100000

<b>Note</b>	
-------------	--

### Accessories

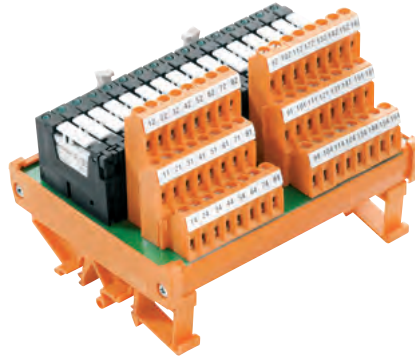
<b>Note</b>	Relay RCL314024 - 8693260000	Static relay ODC - 8576340000	Static relay OAC - 8576370000
-------------	------------------------------	-------------------------------	-------------------------------



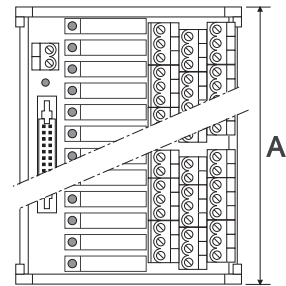
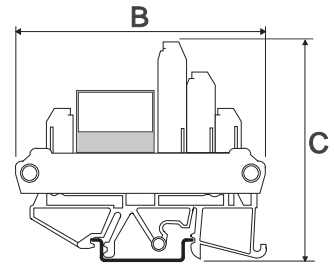
For 16-channel digital output cards

RSM SLIM – 16-channel

H System – with 1CO relay / empty socket  
Version: screw connection - compact



Dimensions



C

Technical data

<b>Connection</b>	
Connection to PLC	HE 10 connector - 20 pole
Connection type V (screw clamp) Flexible/Solid	0.5...4 mm <sup>2</sup> / 0.5...6 mm <sup>2</sup> (AWG 26...12)
Connection type Z (tension clamp) Flexible/Solid	0.2...1.5 mm <sup>2</sup> / 0.2...2.5 mm <sup>2</sup> (AWG 24...14)
<b>Input data</b>	
Coil rated voltage	24 V ±10%
Coil rated current/power	8 mA / 0.2 W
Coil status indicator	LED green
PLC card supply current fuse	-
I/O card max. supply current	2 A
<b>Output data</b>	
Contact configuration	1CO
Max. switching power/voltage	1500 VA / 250 V AC
Relay type	6 A version
Max. continuous/inrush current	4 A/6 A
Contact material	AgSnO <sub>2</sub>
Fuse (contact)	-
Mechanical service life	5 x 10 <sup>6</sup> operations
<b>Insulation coordination (EN50178)</b>	
Rated voltage	250 V AC
Overvoltage category	III
Pollution degree	2
Insulation test voltage	1.2 KVrms
Ambient temperature	-25...40 °C
Storage temperature	-40...60 °C

<b>Dimensions</b>	
Length A x width B x height C	111 x 87.5 x 85 <span style="color:red">XK</span> version mm

<b>Note</b>	(*) No main-circuits
-------------	----------------------

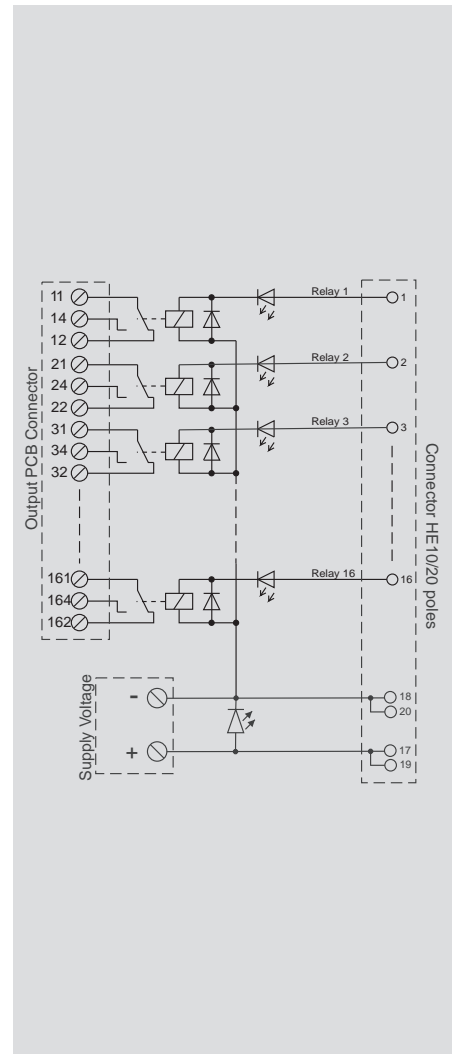
Ordering data

	Type	Order No.
Equipped with 1 CO relay screw connection	RSM16 SLIM-1CO H/V <span style="color:red">XK</span>	1079390000 <sup>(1)</sup>
Empty slot, screw connection	RSM16 SLIM-1CO H/V SOCKET <span style="color:red">XK</span>	1094970000 <sup>(1)</sup>

<b>Note</b>	<span style="color:red">XK</span> : compact version (1) on demand
-------------	--

Accessories

<b>Note</b>	1CO relay - 4061590000 Optocoupler ODC 24V/2A - 4061190000
-------------	---



## Relay outputs for digital cards

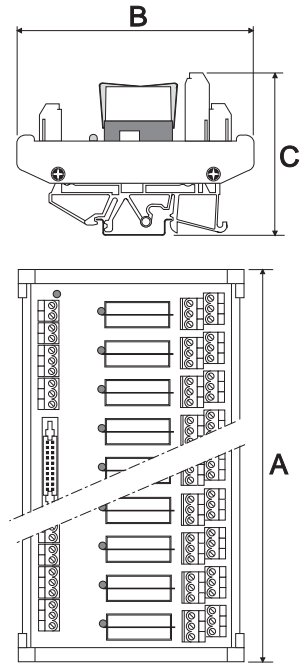
### For 16-channel digital output cards

### RSM-2CO – 16-channel

System H – 2CO relay  
Versions: screw / tension clamp



### Dimensions



### Technical data

Connection	
Connection to PLC	HE 10 connector - 20 pole
Connection type V (screw clamp) Flexible/Solid	0.5...4 mm <sup>2</sup> / 0.5...6 mm <sup>2</sup> (AWG 26...12)
Connection type Z (tension clamp) Flexible/Solid	0.2...1.5 mm <sup>2</sup> / 0.2...2.5 mm <sup>2</sup> (AWG 24...14)
Input data	
Coil rated voltage	24 V ±10%
Coil rated current/power	17 mA / 0.4 W
Coil status indicator	LED green
PLC card supply current fuse	3.15 A
I/O card max. supply current	2 A
Output data	
Contact configuration	2CO
Max. switching power/voltage	2000 VA / 250 V AC
Relay type	2x8 A version
Max. continuous/inrush current	4 A/8 A
Contact material	AgNi 90/10
Fuse (contact)	-
Mechanical service life	30 x 10 <sup>6</sup> switching cycles
Insulation coordination (EN50178)	
Rated voltage	250 V AC
Overvoltage category	III
Pollution degree	2
Insulation test voltage	1.2 KVrms
Ambient temperature	-25...40 °C
Storage temperature	-40...60 °C

Dimensions	
Length A x width B x height C	mm
	263 x 109 x 75

Note	
	(*) No main-circuits

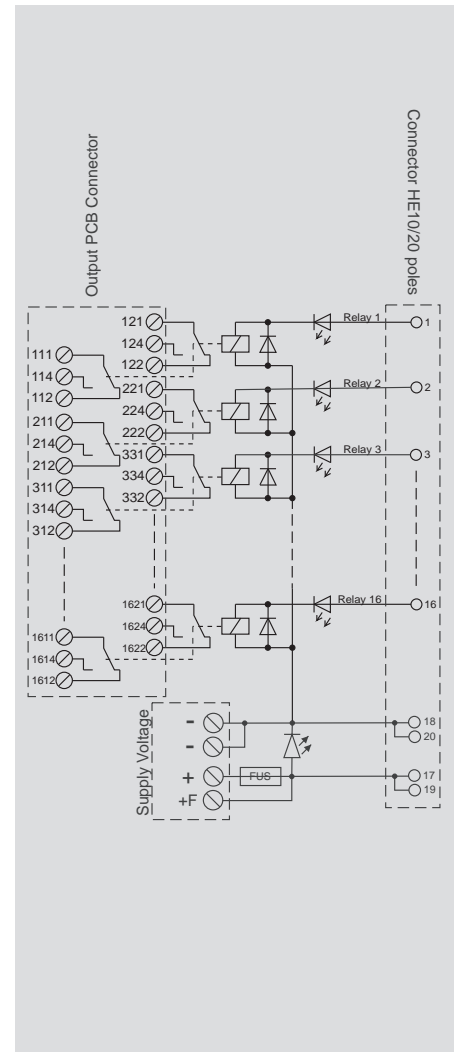
### Ordering data

	Type	Order No.
Screw connection	RSM16-2CO H/V	9445160000
Tension clamp connection	RSM16-2CO H/Z	9447160000

Note	

### Accessories

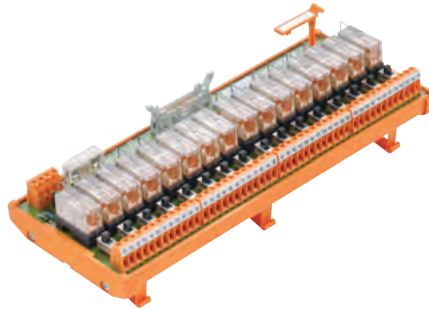
Note	
	2CO Relay - 4058570000



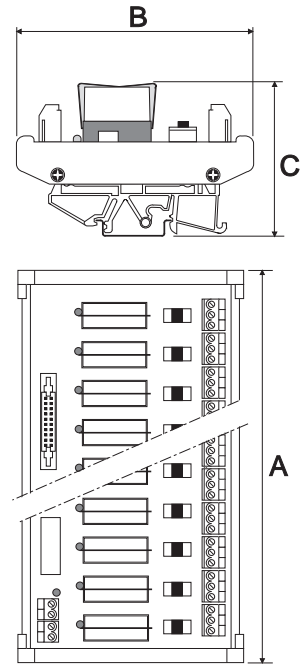
For 16-channel digital output cards

RSM-Fo - 16-channel with force function

H System - 1CO relay  
Version: screw connection

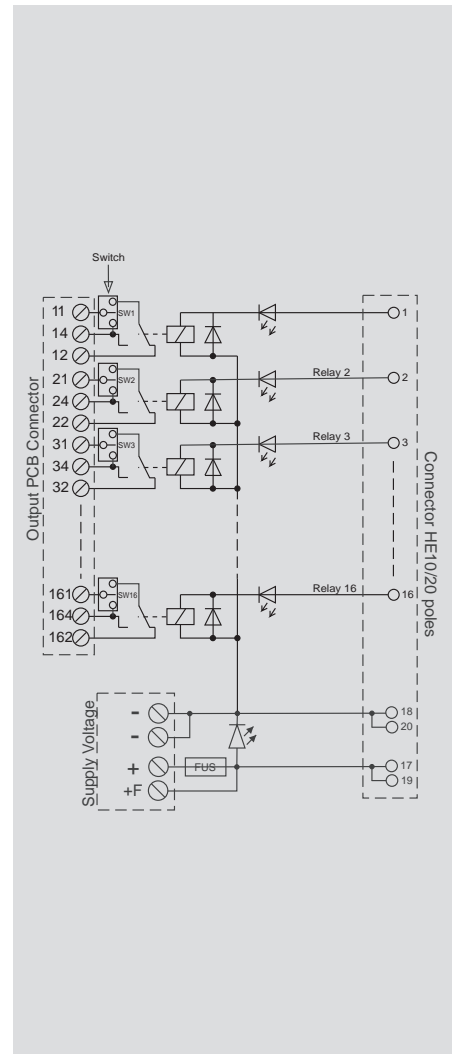


Dimensions



Technical data

<b>Connection</b>		
Connection to PLC	HE 10 connector - 20 pole	
Connection type V (screw clamp) Flexible/Solid	0.5...4 mm <sup>2</sup> / 0.5...6 mm <sup>2</sup> (AWG 26...12)	
Connection type Z (tension clamp) Flexible/Solid	-	
<b>Input data</b>		
Coil rated voltage	24 V ±10%	
Coil rated current/power	17 mA / 0.4 W	
Coil status indicator	LED green	
PLC card supply current fuse	3.15 A	
I/O card max. supply current	2 A	
<b>Output data</b>		
Contact configuration	1CO	
Max. switching power/voltage	3000 VA / 250 V AC	
Relay type	16 A version	
Max. continuous/inrush current	2 A/16 A	
Contact material	AgNi 90/10	
Fuse (contact)	-	
Mechanical service life	30 x 10 <sup>6</sup> operations	
<b>Insulation coordination (EN50178)</b>		
Rated voltage	250 V AC	
Overvoltage category	III	
Pollution degree	2	
Insulation test voltage	1.2 KVrms	
Ambient temperature	-25...40 °C	
Storage temperature	-40...60 °C	
<b>Dimensions</b>		
Length A x width B x height C	mm 263 x 109 x 75	
<b>Note</b>		
(*) No main-circuits		
<b>Ordering data</b>		
Screw connection	Type RSM16-1CO-Fo H/V	Order No. 9445140000
Tension clamp connection		
<b>Note</b>		
<b>Accessories</b>		
<b>Note</b>		
Relay RCL314024 - 8693260000	Static relay ODC - 8576340000	
	Static relay OAC - 8576370000	



## Relay outputs for digital cards

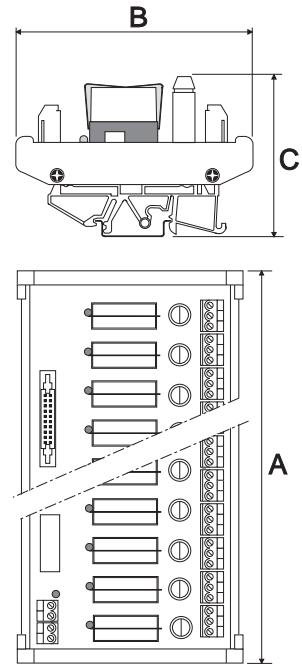
### For 16-channel digital output cards

### RSM-Fu – 16-channel with fuse

H System – 1CO relay  
Versions: screw / tension clamp



### Dimensions



### Technical data

#### Connection

Connection to PLC  
Connection type V (screw clamp) Flexible/Solid  
Connection type Z (tension clamp) Flexible/Solid

HE 10 connector - 20 pole  
0.5...4 mm<sup>2</sup> / 0.5...6 mm<sup>2</sup> (AWG 26...12)  
0.5...1.5 / 0.5...1.5 mm<sup>2</sup> (AWG 16...26)

#### Input data

Coil rated voltage  
Coil rated current/power  
Coil status indicator  
PLC card supply current fuse  
I/O card max. supply current

24 V ±10%  
17 mA / 0.4 W  
LED green  
3.15 A  
2 A

#### Output data

Contact configuration  
Max. switching power/voltage  
Relay type  
Max. continuous/inrush current  
Contact material  
Fuse (contact)  
Mechanical service life

1CO  
3000 VA / 250 V AC  
16 A version  
5 A/16 A  
AgNi 90/10  
5 A fuse on each channel  
30 x 10<sup>6</sup> operations

#### Insulation coordination (EN50178)

Rated voltage  
Overvoltage category  
Pollution degree  
Insulation test voltage  
Ambient temperature  
Storage temperature

250 V AC  
III  
2  
1.2 KVrms  
-25...40 °C  
-40...60 °C

#### Dimensions

Length A x width B x height C mm

261 x 109 x 75

#### Note

(\*) No main-circuits

### Ordering data

Screw connection  
Tension clamp connection

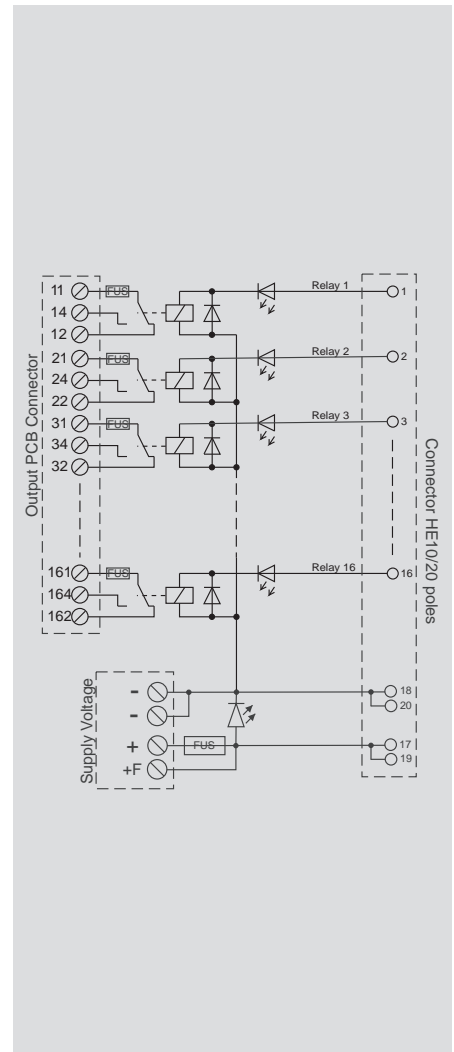
Type	Order No.
RSM16-1CO-Fu H/V	9445120000
RSM16-1RT-Fu H/Z	9447120000

#### Note

### Accessories

#### Note

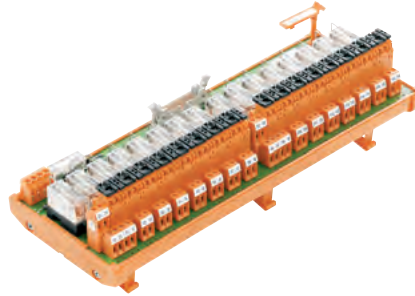
Relay RCL314024 - 8693260000    Static relay ODC - 8576340000  
Static relay OAC - 8576370000



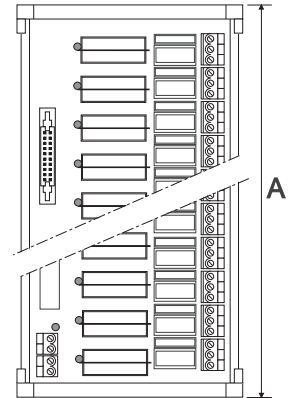
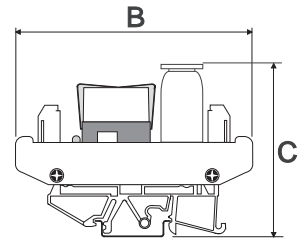
For 16-channel digital output cards

RSM-Solen. ctrl. - 16-channel for solenoid

H System - 1O relay  
Version: screw connection



Dimensions



Technical data

<b>Connection</b>	
Connection to PLC	HE 10 connector - 20 pole
Connection type V (screw clamp) Flexible/Solid	0.5...4 mm <sup>2</sup> / 0.5...6 mm <sup>2</sup> (AWG 26...12)
Connection type Z (tension clamp) Flexible/Solid	-
<b>Input data</b>	
Coil rated voltage	24 V ±10%
Coil rated current/power	17 mA / 0.4 W
Coil status indicator	LED green
PLC card supply current fuse	3.15 A
I/O card max. supply current	2 A
<b>Output data</b>	
Contact configuration	1CO
Max. switching power/voltage	3000 VA / 250 V AC
Relay type	16 A version
Max. continuous/inrush current	2 A/16 A
Contact material	AgNi 90/10
Fuse (contact)	-
Mechanical service life	30 x 10 <sup>6</sup> operations
<b>Insulation coordination (EN50178)</b>	
Rated voltage	250 V AC
Overvoltage category	III
Pollution degree	2
Insulation test voltage	1.2 KVrms
Ambient temperature	-25...40 °C
Storage temperature	-40...60 °C

<b>Dimensions</b>	
Length A x width B x height C	mm 290 x 109 x 75

<b>Note</b>	(*) No main-circuits
-------------	----------------------

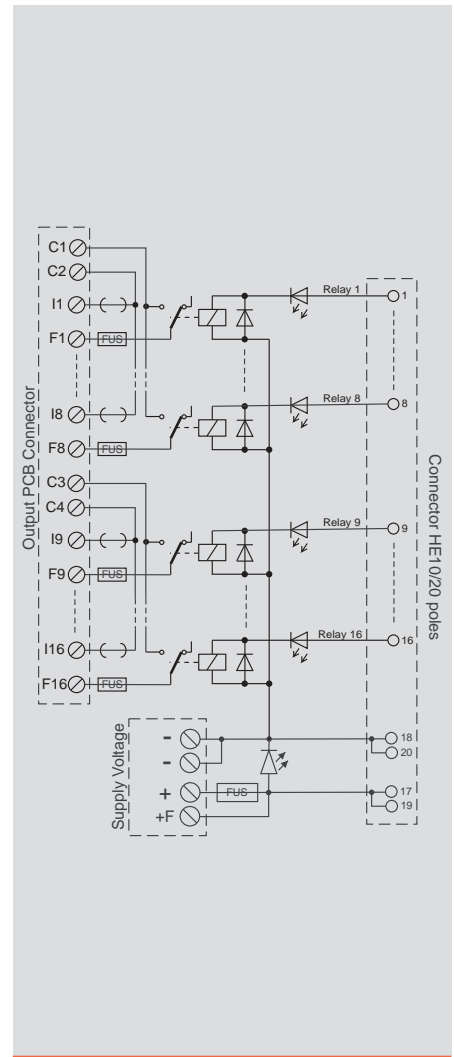
Ordering data

	Screw connection	<b>Type</b>	RSM16 1T/Solen. ctrl. 24V DC H/V	<b>Order No.</b>	9445180000
	Tension clamp connection				

<b>Note</b>	
-------------	--

Accessories

<b>Note</b>	Relay RCL314024 - 8693260000	Static relay ODC - 8576340000	Static relay OAC - 8576370000
-------------	------------------------------	-------------------------------	-------------------------------

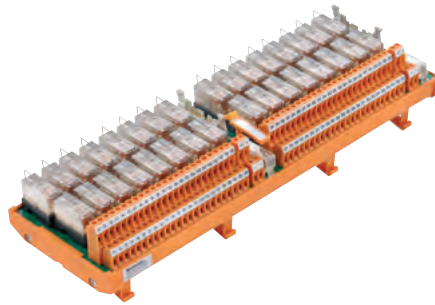


## Relay outputs for digital cards

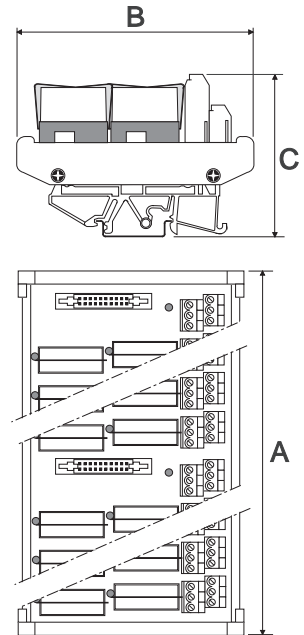
### For 32-channel digital output cards

### RSM-C – 32-channel

H System – 1 CO relay  
Versions: screw / tension clamp



### Dimensions



### Technical data

#### Connection

Connection to PLC  
Connection type V (screw clamp) Flexible/Solid  
Connection type Z (tension clamp) Flexible/Solid

2 x HE 10 connector - 20 pole  
0.5...4 mm<sup>2</sup> / 0.5...6 mm<sup>2</sup> (AWG 26...12)  
0.2...1.5 mm<sup>2</sup> / 0.2...2.5 mm<sup>2</sup> (AWG 24...14)

#### Input data

Coil rated voltage  
Coil rated current/power  
Coil status indicator  
PLC card supply current fuse  
I/O card max. supply current

24 V ±10%  
17 mA / 0.4 W  
LED green  
3.15 A  
2 A

#### Output data

Contact configuration  
Max. switching power/voltage  
Relay type  
Max. continuous/inrush current  
Contact material  
Fuse (contact)  
Mechanical service life

1CO  
3000 VA / 250 V AC  
16 A version  
5 A/16 A  
AgNi 90/10  
-  
30 x 10<sup>6</sup> operations

#### Insulation coordination (EN50178)

Rated voltage  
Overvoltage category  
Pollution degree  
Insulation test voltage  
Ambient temperature  
Storage temperature

250 V AC  
III  
2  
1.2 KVrms  
-25...40 °C  
-40...60 °C

#### Dimensions

Length A x width B x height C mm

365 x 109 x 68

#### Note

(\*) No main-circuits

### Ordering data

Screw connection  
Tension clamp connection

Type	Order No.
RSM32C-1CO 24VDC H/V	1108470000 <sup>(1)</sup>
RSM32C-1CO H/Z	9447200000

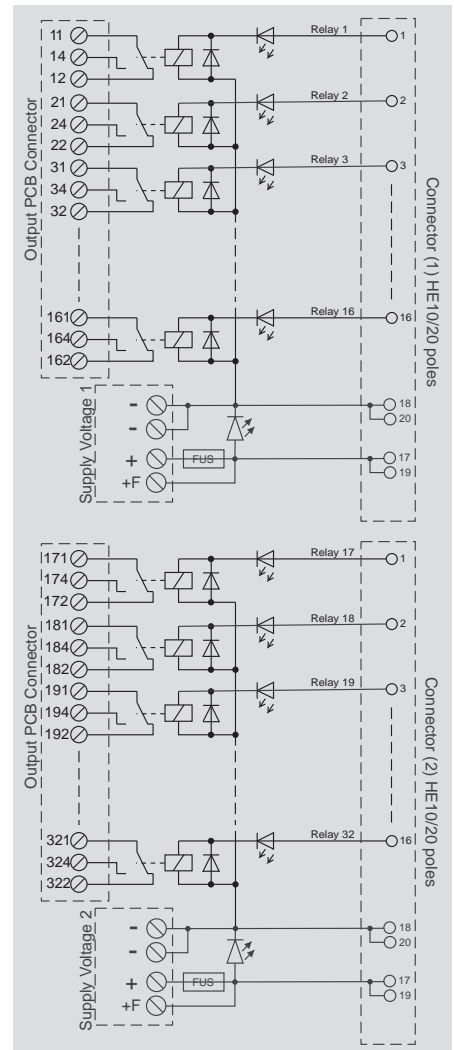
#### Note

(1) on demand

### Accessories

#### Note

Relay RCL314024 - 8693260000      Static relay ODC - 8576340000  
Static relay OAC - 8576370000



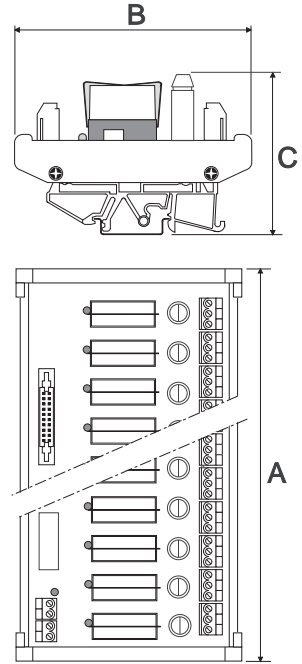
For 32-channel digital cards

RSM-Fu – 32-channel with fuse

H System – 1 CO relay  
Version: screw connection



Dimensions



Technical data

<b>Connection</b>		
Connection to PLC	2 x HE 10 20-pole connectors	
Connection type V (screw clamp) Flexible/Solid	0.5...4 mm <sup>2</sup> / 0.5...6 mm <sup>2</sup> (AWG 26...12)	
Connection type Z (tension clamp) Flexible/Solid	-	
<b>Input data</b>		
Coil rated voltage	24 V ±10%	
Coil rated current/power	17 mA / 0.4 W	
Coil status indicator	LED green	
PLC card supply current fuse	3.15 A	
I/O card max. supply current	2 A	
<b>Output data</b>		
Contact configuration	1CO	
Max. switching power/voltage	3000 VA / 250 V AC	
Relay type	16 A version	
Max. continuous/inrush current	5 A/16 A	
Contact material	AgNi 90/10	
Fuse (contact)	5 A fuse on each channel	
Mechanical service life	30 x 10 <sup>6</sup> operations	
<b>Insulation coordination (EN50178)</b>		
Rated voltage	250 V AC	
Overvoltage category	III	
Pollution degree	2	
Insulation test voltage	1.2 KVrms	
Ambient temperature	-25...40 °C	
Storage temperature	-40...60 °C	
<b>Dimensions</b>		
Length A x width B x height C	mm 511 x 109 x 75	
<b>Note</b>		
(*) No main-circuits		
<b>Ordering data</b>		
Screw connection	Type RSM32-1CO-Fu H/V	Order No. 9445220000
Tension clamp connection		
<b>Note</b>		
<b>Accessories</b>		
<b>Note</b>		
Relay RCL314024 - 8693260000	Static relay ODC - 8576340000	Static relay OAC - 8576370000

