

**For 8-channel digital I/O cards**

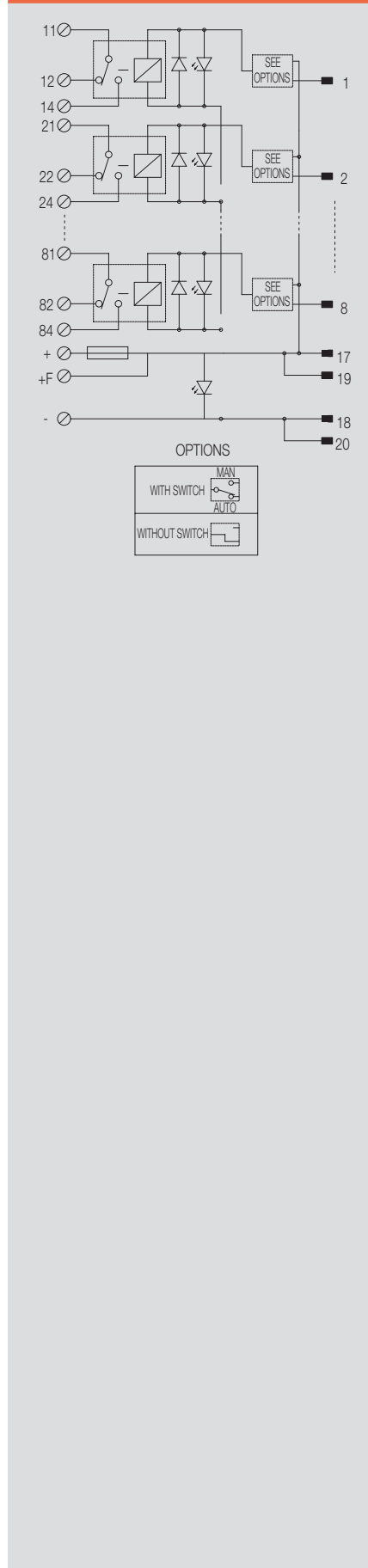
- Relays output modules allow transmission of electric signals between PLC and the field
- Designed to be connected to the PLC in combination with PLC pre-assembled cables (PAC) and Front adaptors (FAD)
- Electrical isolation of input and output circuits via plug-in relay
- Integral switching status indicator (LED)
- Screw or tension spring connections as required
- Relay switching can be done by the PLC or manually (switch)

**RSM-8 PLC C 1CO**

**H System – 1CO relay/switch, Version: screw/tension clamp connection - compact**



**Schematic Diagram**



**Technical data**

<b>Connection</b>	
Connection to PLC	HE 10 connector - 20 pole
Connection type V (screw clamp) Flexible/Solid	
Connection type Z (tension clamp) Flexible/Solid	
Connection type V (screw clamp) Flexible/Solid	
Connection type Z (tension clamp) Flexible/Solid	
<b>Relay Input Data</b>	
Coil rated voltage	24 V ±10%
Coil rated current/power	7 mA / 160 mW
Coil status indicator	LED green
PLC card supply current fuse	-
I/O card max. supply current	2.5 A
<b>Relay Output data</b>	
Contact configuration	1CO
Max. switching power/voltage	1500 VA / 250 V AC
Relay type	Microseries RSS
Max. switching current	6 A
Contact material	AgSnO2
Fuse (contact)	
Mechanical service life	5 x 10 <sup>6</sup> operations
<b>Insulation coordination (EN50178)</b>	
Rated voltage	250 V AC
Overvoltage category (Input-Output)	III
Pollution degree	2
Insulation test voltage	1.2 KVrms
Ambient temperature	-25...50 °C
Storage temperature	-40...60 °C
<b>Dimensions</b>	
Length x width x height	75 x 109 x 80 mm
<b>Approvals</b>	
Standards	In accordance to IEC 60664-EN50178
<b>Note</b>	
(*) The module is intended to be used inside and at least in an IP2X enclosure.	

**Ordering data**

<b>Version</b>	
	Screw connection without switch
	Screw connection with switch
	Tension clamp connection without switch
	Tension clamp connection with switch
<b>Note</b>	

<b>Type</b>	<b>Order No.</b>
RSM-8 PLC C 1CO S	1128970000
RSM-8 PLC C SW 1CO S	1128990000
RSM-8 PLC C 1CO Z	1128980000
RSM-8 PLC C SW 1CO Z	1129000000
(*) No main-circuits	

**Accessories**

<b>Note</b>	1CO relay - 4061590000 Optocoupler ODC 24V/2A - 4061190000
-------------	--

**For 16-channel digital I/O cards**

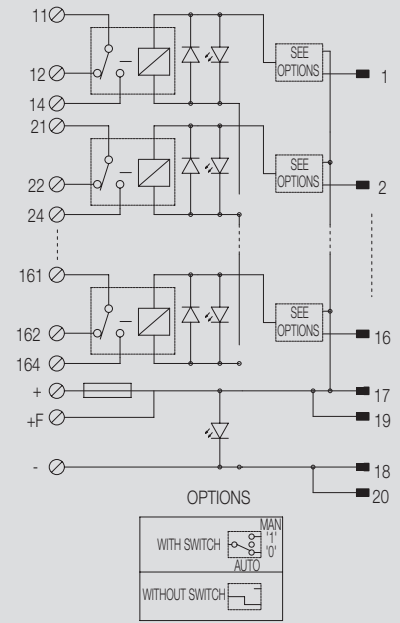
- Relays output modules allow transmission of electric signals between PLC and the field
- Designed to be connected to the PLC in combination with PLC pre-assembled cables (PAC) and Front adaptors (FAD)
- Electrical isolation of input and output circuits via plug-in relay
- Integral switching status indicator (LED)
- Screw or tension spring connections as required
- Relay switching can be done by the PLC or manually (switch)

**RSM-16 PLC C 1CO**

**H System – 1CO relay/switch, Version: screw/tension clamp connection - compact**



**Schematic Diagram**



**Technical data**

**Connection**

Connection to PLC  
 Connection type V (screw clamp) Flexible/Solid  
 Connection type Z (tension clamp) Flexible/Solid  
 Connection type V (screw clamp) Flexible/Solid  
 Connection type Z (tension clamp) Flexible/Solid

**Relay Input Data**

Coil rated voltage  
 Coil rated current/power  
 Coil status indicator  
 PLC card supply current fuse  
 I/O card max. supply current

**Relay Output data**

Contact configuration  
 Max. switching power/voltage  
 Relay type  
 Max. switching current  
 Contact material  
 Fuse (contact)  
 Mechanical service life

**Insulation coordination (EN50178)**

Rated voltage  
 Overvoltage category (Input-Output)  
 Pollution degree  
 Insulation test voltage  
 Ambient temperature  
 Storage temperature

**Dimensions**

Length x width x height mm

**Approvals**

Standards

**Note**

HE 10 connector - 20 pole  
 0.5...1,5 mm<sup>2</sup> / 0.2...1,5 mm<sup>2</sup> (AWG 28...14)  
 0.2...1,5 mm<sup>2</sup> / 0.2...1,5 mm<sup>2</sup> (AWG 24...16)  
 0.5...4 mm<sup>2</sup> / 0.5...6 mm<sup>2</sup> (AWG 26...12)  
 0.2...1.5 mm<sup>2</sup> / 0.2...2.5 mm<sup>2</sup> (AWG 24...14)

24 V ±10%  
 7 mA / 160 mW  
 LED green  
 -  
 2.5 A

1CO  
 1500 VA / 250 V AC  
 Microseries RSS  
 6 A  
 AgSnO<sub>2</sub>

5 x 10<sup>6</sup> operations

250 V AC  
 III  
 2  
 1.2 kVrms  
 -25...50 °C  
 -40...60 °C

75 x 109 x 80

In accordance to IEC 60664-EN50178

(\*) The module is intended to be used inside and at least in an IP2X enclosure.

**Ordering data**

**Version**

Screw connection without switch  
 Screw connection with switch  
 Tension clamp connection without switch  
 Tension clamp connection with switch

**Note**

**Type**

Type	Order No.
RSM-16 PLC C 1CO S	1129010000
RSM-16 PLC C SW 1CO S	1129030000
RSM-16 PLC C 1CO Z	1129020000
RSM-16 PLC C SW 1CO Z	1129040000

(\*) No main-circuits

**Accessories**

**Note**

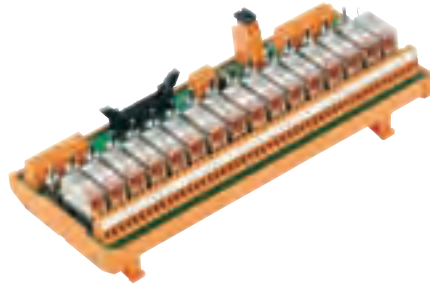
1CO relay - 4061590000 Optocoupler ODC 24V/2A - 4061190000

**For 16-channel digital I/O cards**

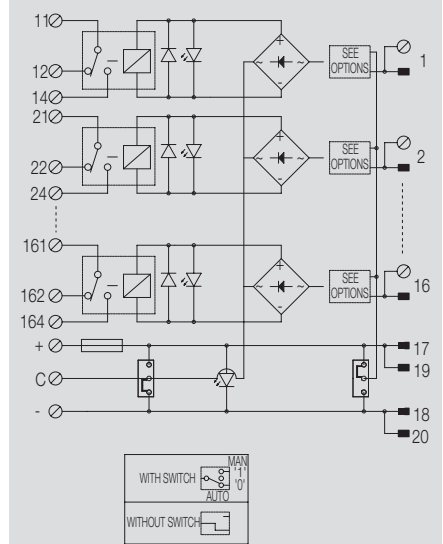
- Relays output modules allow transmission of electric signals between PLC and the field
- Designed to be connected to the PLC in combination with PLC pre-assembled cables (PAC) and Front adaptors (FAD)
- Electrical isolation of input and output circuits via plug-in relay
- Integral switching status indicator (LED)
- Screw or tension spring connections as required
- Relay switching can be done by the PLC or manually (switch)

**RSM-16 PLC 1CO**

**H System – 1CO relay/switch, Version: screw/tension clamp connection**



**Schematic Diagram**



**Technical data**

<b>Connection</b>	
Connection to PLC	
Connection type V (screw clamp)	Flexible/Solid
Connection type Z (tension clamp)	Flexible/Solid
Connection type V (screw clamp)	Flexible/Solid
Connection type Z (tension clamp)	Flexible/Solid
<b>Relay Input Data</b>	
Coil rated voltage	24 V ±10%
Coil rated current/power	17 mA / 0.5 W
Coil status indicator	LED green
PLC card supply current fuse	-
I/O card max. supply current	2.5 A
<b>Relay Output data</b>	
Contact configuration	1CO
Max. switching power/voltage	3000 VA / 250 V AC
Relay type	Riderseries RCL 16A
Max. switching current	16 A
Contact material	AgNi 90/10
Fuse (contact)	-
Mechanical service life	30 x 10 <sup>6</sup> operations
<b>Insulation coordination (EN50178)</b>	
Rated voltage	250 V AC
Overvoltage category (Input-Output)	III
Pollution degree	2
Insulation test voltage	1.2 kVrms
Ambient temperature	-25...50 °C
Storage temperature	-40...60 °C
<b>Dimensions</b>	
Length x width x height	255 x 109 x 68 mm
<b>Approvals</b>	
Standards	In accordance to IEC 60664-EN50178
<b>Note</b>	(*) The module is intended to be used inside and at least in an IP2X enclosure.

**Ordering data**

<b>Version</b>	
	Screw connection without switch
	Screw connection with switch
	Tension clamp connection without switch
	Tension clamp connection with switch
<b>Note</b>	

<b>Type</b>	<b>Order No.</b>
RSM-16 PLC 1CO S	1129100000
RSM-16 PLC SW 1CO S	1129120000
RSM-16 PLC 1CO Z	1129110000
RSM-16 PLC SW 1CO Z	1129130000
(*) No main-circuits	

**Accessories**

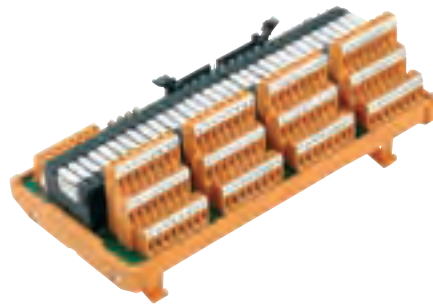
<b>Note</b>	Relay RCL314024 - 8693260000 Static relay ODC - 8576340000 Static relay OAC - 8576370000
-------------	---

**For 32-channel digital I/O cards**

- Relays output modules allow transmission of electric signals between PLC and the field
- Designed to be connected to the PLC in combination with PLC pre-assembled cables (PAC) and Front adaptors (FAD)
- Electrical isolation of input and output circuits via plug-in relay
- Integral switching status indicator (LED)
- Screw or tension spring connections as required
- Relay switching can be done by the PLC or manually (switch)

**RSM-32 PLC C 1CO**

**H System – 1CO relay/switch, Version: screw/tension clamp connection - compact**



**Technical data**

<b>Connection</b>	
Connection to PLC	HE 10 connector - 40 pole
Connection type V (screw clamp) Flexible/Solid	0.5...1,5 mm <sup>2</sup> / 0.2...1,5 mm <sup>2</sup> (AWG 28...14)
Connection type Z (tension clamp) Flexible/Solid	0.2...1,5 mm <sup>2</sup> / 0.2...1,5 mm <sup>2</sup> (AWG 24...16)
Connection type V (screw clamp) Flexible/Solid	0.5...4 mm <sup>2</sup> / 0.5...6 mm <sup>2</sup> (AWG 26...12)
Connection type Z (tension clamp) Flexible/Solid	0.2...1.5 mm <sup>2</sup> / 0.2...2.5 mm <sup>2</sup> (AWG 24...14)
<b>Relay Input Data</b>	
Coil rated voltage	24 V ±10%
Coil rated current/power	7 mA / 160 mW
Coil status indicator	LED green
PLC card supply current fuse	-
I/O card max. supply current	-
<b>Relay Output data</b>	
Contact configuration	1CO
Max. switching power/voltage	1500 VA / 250 V AC
Relay type	Microseries RSS
Max. switching current	6 A
Contact material	AgSnO <sub>2</sub>
Fuse (contact)	-
Mechanical service life	5 x 10 <sup>6</sup> operations
<b>Insulation coordination (EN50178)</b>	
Rated voltage	250 V AC
Overvoltage category (Input-Output)	III
Pollution degree	2
Insulation test voltage	1.2 KVrms
Ambient temperature	-25...50 °C
Storage temperature	-40...60 °C
<b>Dimensions</b>	
Length x width x height	mm 215 x 109 x 85
<b>Approvals</b>	
Standards	In accordance to IEC 60664-EN50178
<b>Note</b>	
(*) The module is intended to be used inside and at least in an IP2X enclosure.	

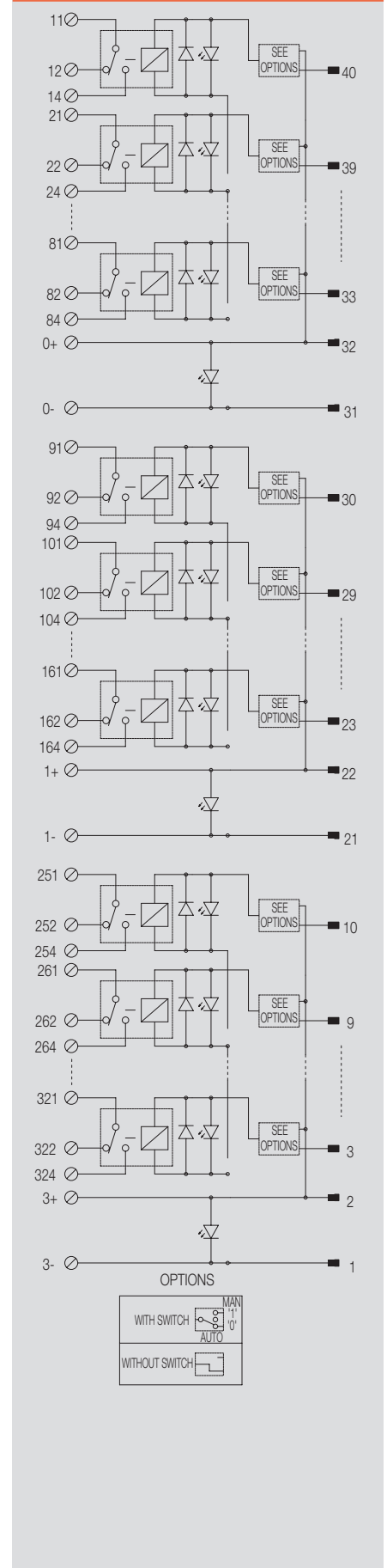
**Ordering data**

Version	Type	Order No.
Screw connection without switch	RSM-32 PLC C 1CO S	1129050000
Screw connection with switch	RSM-32 PLC C SW 1CO S	1129080000
Tension clamp connection without switch	RSM-32 PLC C 1CO Z	1129070000
Tension clamp connection with switch	RSM-32 PLC C SW 1CO Z	1129090000
<b>Note</b>		
(*) No main-circuits		

**Accessories**

<b>Note</b>	1CO relay - 4061590000 Optocoupler ODC 24V/2A - 4061190000
-------------	--

**Schematic Diagram**

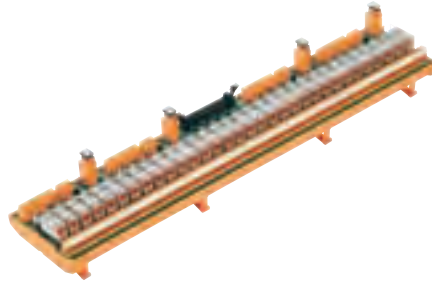


**For 32-channel digital I/O cards**

- Relays output modules allow transmission of electric signals between PLC and the field
- Designed to be connected to the PLC in combination with PLC pre-assembled cables (PAC) and Front adaptors (FAD)
- Electrical isolation of input and output circuits via plug-in relay
- Integral switching status indicator (LED)
- Allows positive or negative switching (selectable via jumper)
- Screw or tension spring connections as required
- Relay switching can be done by the PLC or manually (switch)

**RSM-32 PLC 1CO**

**H System – 1CO relay/switch, Version: screw/tension clamp connection**



**Technical data**

<b>Connection</b>	
Connection to PLC	HE 10 connector - 40 pole
Connection type V (screw clamp) Flexible/Solid	0.5...4 mm <sup>2</sup> / 0.5...6 mm <sup>2</sup> (AWG 26...12)
Connection type Z (tension clamp) Flexible/Solid	0.5...1.5 / 0.5...1.5 mm <sup>2</sup> (AWG 16...26)
Connection type V (screw clamp) Flexible/Solid	0.5...4 mm <sup>2</sup> / 0.5...6 mm <sup>2</sup> (AWG 26...12)
Connection type Z (tension clamp) Flexible/Solid	0.2...1.5 mm <sup>2</sup> / 0.2...2.5 mm <sup>2</sup> (AWG 24...14)
<b>Relay Input Data</b>	
Coil rated voltage	24 V ±10%
Coil rated current/power	17 mA / 0.5 W
Coil status indicator	LED green
PLC card supply current fuse	-
I/O card max. supply current	2.5 A
<b>Relay Output data</b>	
Contact configuration	1CO
Max. switching power/voltage	3000 VA / 250 V AC
Relay type	Riderseries RCL 16A
Max. switching current	16 A
Contact material	AgNi 90/10
Fuse (contact)	-
Mechanical service life	30 x 10 <sup>6</sup> operations
<b>Insulation coordination (EN50178)</b>	
Rated voltage	250 V AC
Overvoltage category (Input-Output)	III
Pollution degree	2
Insulation test voltage	1.2 KVrms
Ambient temperature	-25...50 °C
Storage temperature	-40...60 °C
<b>Dimensions</b>	
Length x width x height	499 x 109 x 68 mm
<b>Approvals</b>	
Standards	In accordance to IEC 60664-EN50178
<b>Note</b>	
(*) The module is intended to be used inside and at least in an IP2X enclosure.	

**Ordering data**

<b>Version</b>	
	Screw connection without switch
	Screw connection with switch
	Tension clamp connection without switch
	Tension clamp connection with switch
<b>Note</b>	

**Accessories**

<b>Note</b>	Relay RCL314024 - 8693260000 Static relay ODC - 8576340000 Static relay OAC - 8576370000
-------------	---

<b>Type</b>	<b>Order No.</b>
RSM-32 PLC 1CO S	1129140000
RSM-32 PLC SW 1CO S	1129170000
RSM-32 PLC 1CO Z	1129150000
RSM-32 PLC SW 1CO Z	1129180000
(*) No main-circuits	

**Schematic Diagram**

