

# FBCon distributors for Ex areas



## PROFIBUS-PA T-connector

- EEx (ia)

The PROFIBUS-PA installation products are increasingly used in

- food industry
- basic industries and
- chemical industry.

The product range offers a wide choice of customer solutions also for use in harsh conditions. This includes standard and EX versions of single and multi-way design with M12 plug-in connection or cable gland. Weidmüller offers a solution for almost every application. If you cannot find your solution here, please contact the branch / sales office responsible for you.

## PROFIBUS-PA T-connector

- EEx (ia)

- 1-way
- 2-way
- 4-way
- 8-way

The PROFIBUS-PA T-connector in EEx (ia) specification is intended for direct coupling of measuring devices, sensors, actuators, etc. in potentially explosive areas.

- Approval for intrinsically safe use ATEX approval
- IP 66 Ingress Protection Class
- Modular design
- Uninterruptible bus operation
- Simple handling
- External earth terminal
- External bus terminator



Weidmüller



**PROFIBUS-PA ATEX**

**1-channel distributor Ex**

Cable gland



**1-channel distributor Ex**

M12 connection



**Ordering data**

Type	Type of connection	Qty.	Order No.
<b>Aluminium housing</b>			
FBCon PA CG 1way Ex	branch line CG	1	8564180000
<b>Stainless steel enclosure</b>			

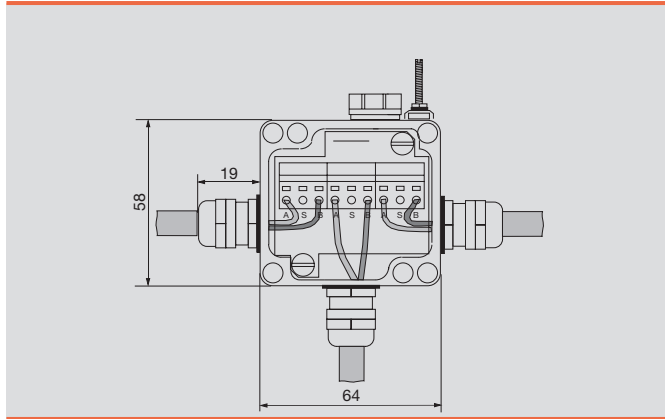
**Ordering data**

Type	Type of connection	Qty.	Order No.
<b>Aluminium housing</b>			
FBCon PA CG/M12 1way Ex	branch line M12	1	8564150000
<b>Stainless steel enclosure</b>			

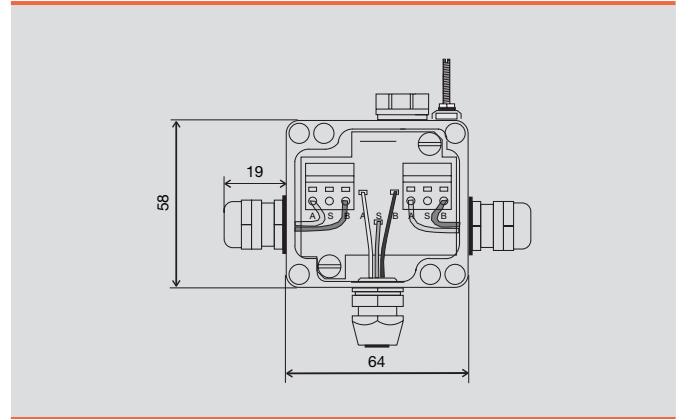
CG = brass cable gland  
PCG = plastic cable gland

CG = brass cable gland  
PCG = plastic cable gland

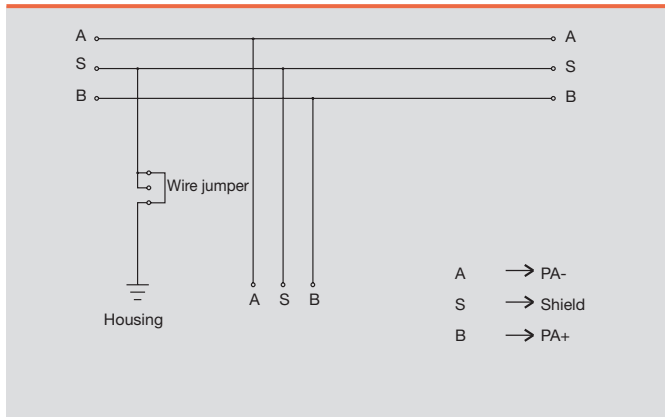
**Dimensioned drawing**



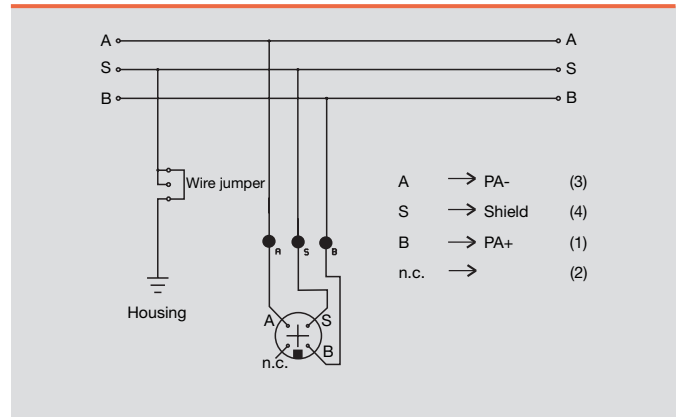
**Dimensioned drawing**



**Wiring diagram**



**Wiring diagram**



### 2-channel distributor Ex

Cable gland



### 2-channel distributor Ex

M12 connection



#### Ordering data

Type	Type of connection	Qty.	Order No.
<b>Aluminium housing</b>			
FBCon PA CG 2way Ex	branch line CG	1	8564190000
<b>Stainless steel enclosure</b>			

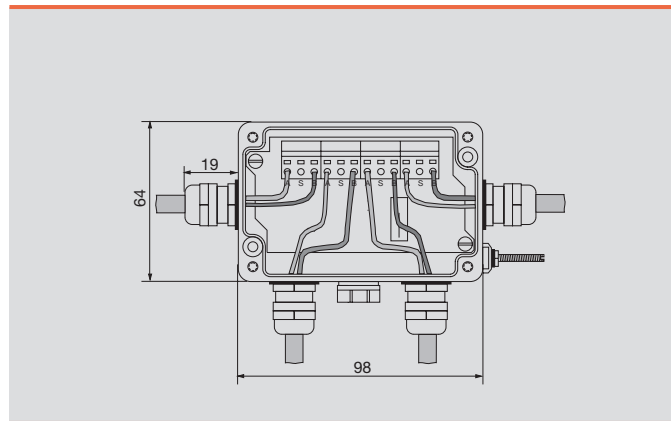
#### Ordering data

Type	Type of connection	Qty.	Order No.
<b>Aluminium housing</b>			
FBCon PA CG/M12 2way Ex	branch line M12	1	8564160000
<b>Stainless steel enclosure</b>			

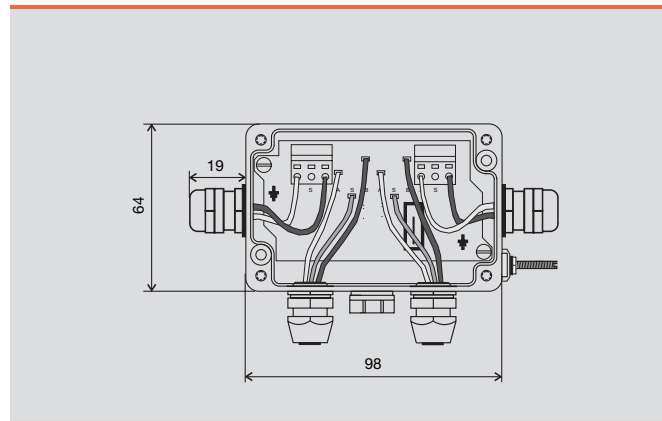
CG = brass cable gland  
PCG = plastic cable gland

CG = brass cable gland  
PCG = plastic cable gland

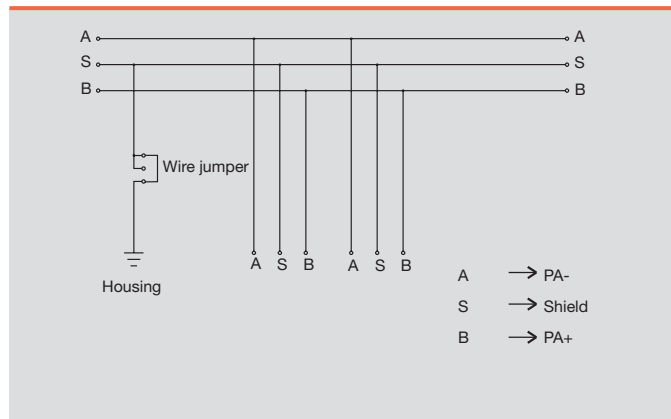
#### Dimensioned drawing



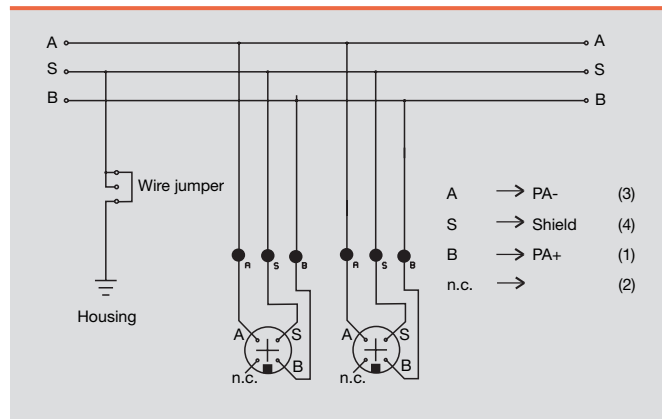
#### Dimensioned drawing



#### Wiring diagram



#### Wiring diagram



**PROFIBUS-PA ATEX**

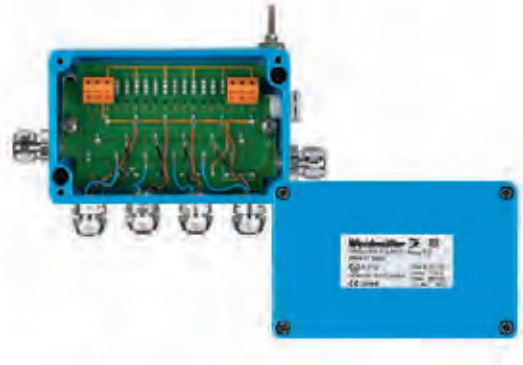
**4-channel distributor Ex**

Cable gland



**4-channel distributor Ex**

M12 connection



**Ordering data**

Type	Type of connection	Qty.	Order No.
<b>Aluminium housing</b>			
FBCon PA CG 4way Ex	branch line CG	1	8564200000
<b>Stainless steel enclosure</b>			

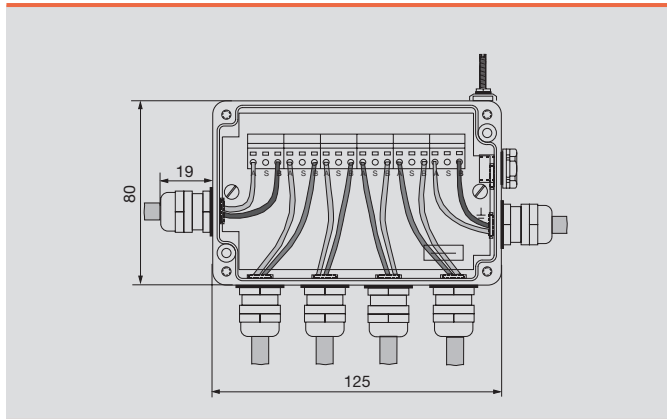
**Ordering data**

Type	Type of connection	Qty.	Order No.
<b>Aluminium housing</b>			
FBCon PA CG/M12 4way Ex	branch line M12	1	8564170000
<b>Stainless steel enclosure</b>			

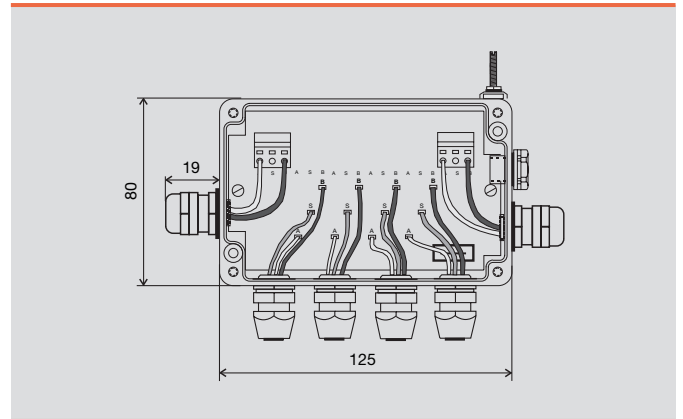
CG = brass cable gland  
PCG = plastic cable gland

CG = brass cable gland  
PCG = plastic cable gland

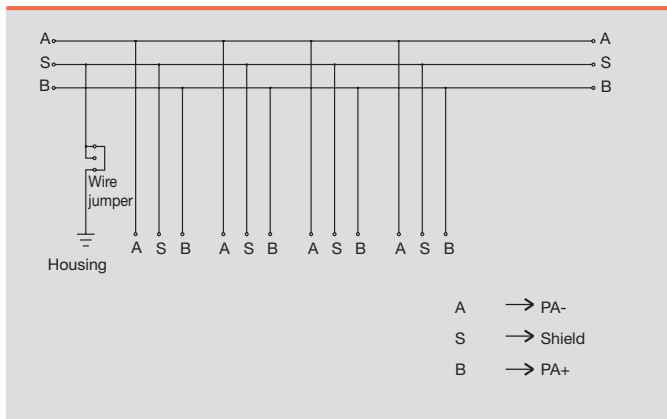
**Dimensioned drawing**



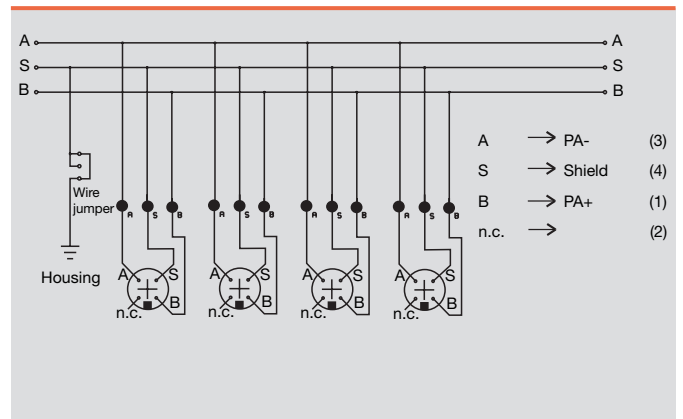
**Dimensioned drawing**



**Wiring diagram**



**Wiring diagram**



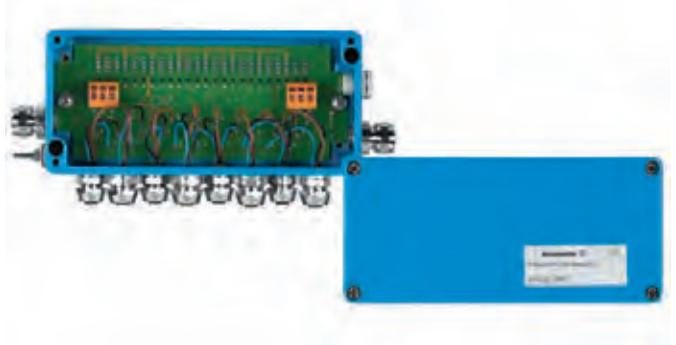
### 8-channel distributor Ex

Cable gland



### 8-channel distributor Ex

M12 connection



#### Ordering data

Type	Type of connection	Qty.	Order No.
<b>Aluminium housing</b>			
FBCon PA CG 8way Ex	branch line CG	1	8564240000
<b>Stainless steel enclosure</b>			

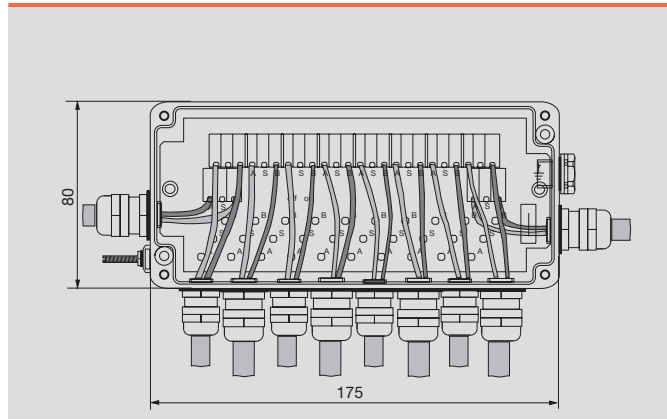
#### Ordering data

Type	Type of connection	Qty.	Order No.
<b>Aluminium housing</b>			
FBCon PA CG/M12 8way Ex	branch line M12	1	8564250000
<b>Stainless steel enclosure</b>			

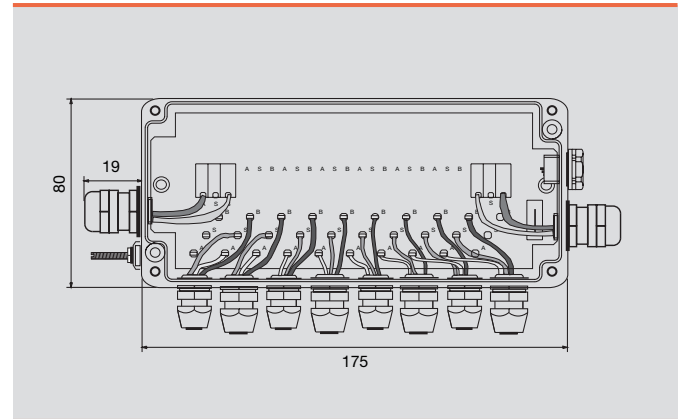
CG = brass cable gland  
PCG = plastic cable gland

CG = brass cable gland  
PCG = plastic cable gland

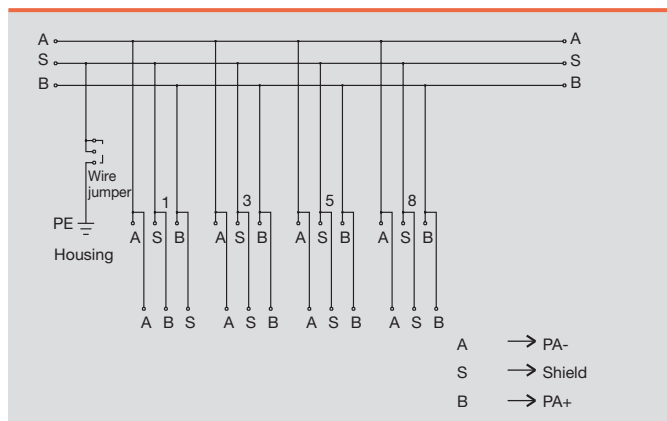
#### Dimensioned drawing



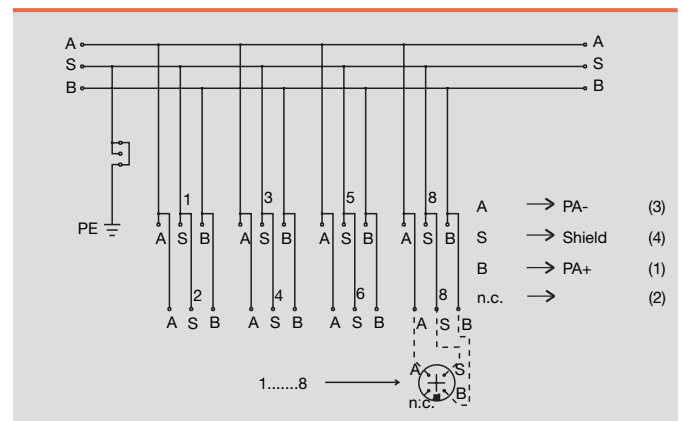
#### Dimensioned drawing



#### Wiring diagram

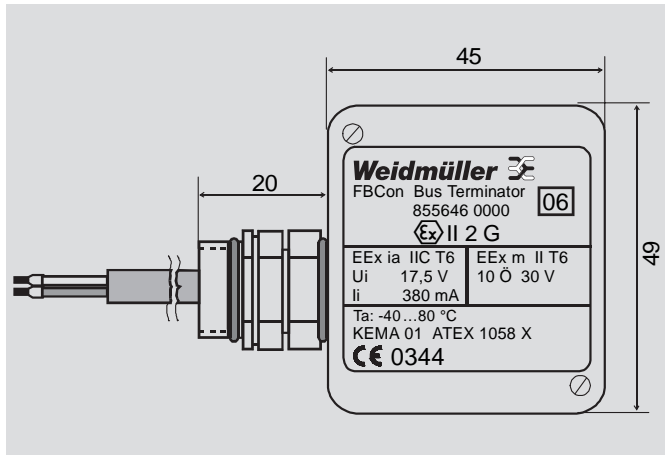


#### Wiring diagram



**PROFIBUS-PA ATEX**

**FBCon bus terminator**  
**FBCon bus terminator without earth connection**



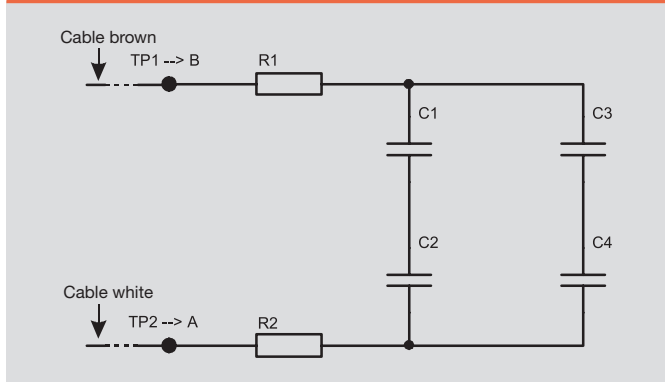
**Ordering data**

Type	Qty.	Order No.
FBCon bus terminator EEx with locking clip, without earth connection	1	8556460000
FBCon bus terminator EEx without locking clip, without earth connection	1	8606190000

**Technical data**

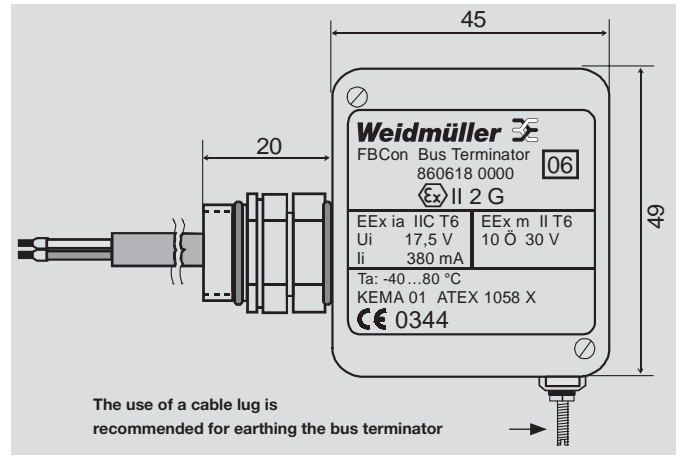
Operating temperature	-40 °C to 80 °C
Ingress protection class	IP 66
Enclosure material	High grade aluminium alloy (Al - Si 12)
Finish	Black powder-coated
Connection lead	2 x 0.14 mm <sup>2</sup>
Cable entry	Bus adapter M16

**Wiring diagram**



**Weidmüller**

**FBCon Bus Terminator with earth connection**



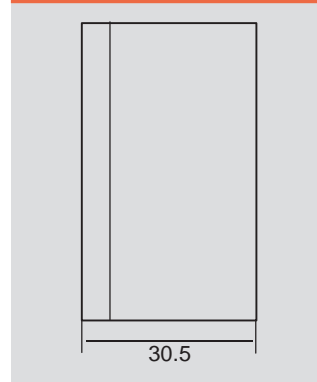
**Ordering data**

Type	Qty.	Order No.
FBCon Bus Terminator EEx mit Rastfuß + mit Erdschluss	1	8606180000
FBCon Bus Terminator EEx ohne Rastfuß + mit Erdschluss	1	8606200000

**Technical data**

Operating temperature	-40 °C to 80 °C
Ingress protection class	IP 66
Enclosure material	High grade aluminium alloy (Al - Si 12)
Finish	Black powder-coated
Connection lead	2 x 0.14 mm <sup>2</sup>
Cable entry	Bus adapter M16

**Housing cover without clip-on foot**



**Housing cover with clip-on foot**

