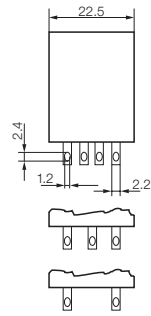


Relay couplers - RIDERSERIES

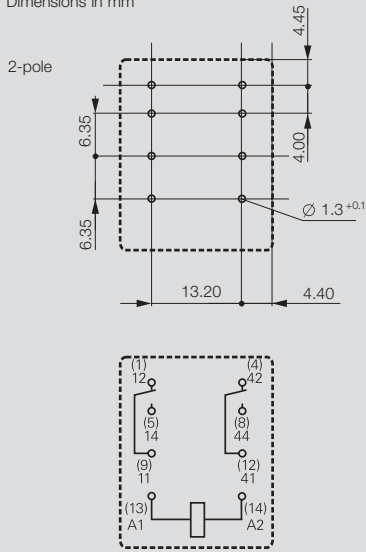
RCM relay 2 CO contact AC/DC coil

- 3000 VA switching capacity
- Solder and plug connection
- Safe-to-touch test button, selectable locking
- White labelling panel



Circuit diagram

View of connections
Dimensions in mm



Output

max. switching voltage AC	250 V
Continuous current	12 A
Contact base material	AgNi 90/10
Mechanical endurance	AC coil 20x10 ⁶ / DC coil 30x10 ⁶ switching operations
Response time / Drop-out time	15ms / 10ms

Rated data

Status indicator / Free wheel diode	see ordering data
Operating temperature	-40 °C...+70 °C
UL 94 flammability rating	V-0
Approvals	cURus; CE; VDE;

Insulation coordination (IEC 60664)

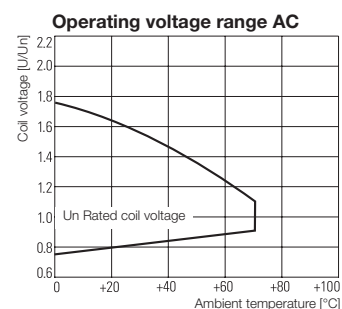
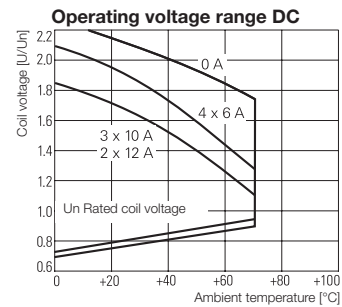
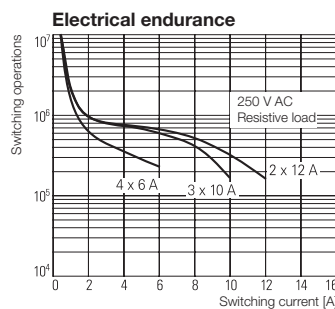
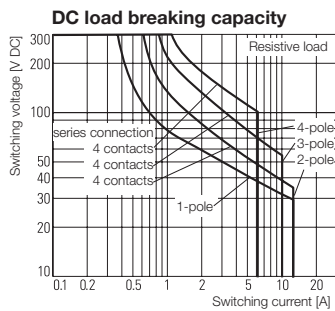
Rated voltage	240 V
Creepage and clearance path input - output	≤ 4mm
Overtoltage category	III
Pollution severity	3

Dimensions

Length x width x height	mm	28 / 22.5 / 29
-------------------------	----	----------------

Note

Applications



**RCM relay
2 CO contact
AC/DC coil**

Type code

Type RIDER Control Multiple

Contacts

- 2 2 CO contacts
- 3 3 CO contacts
- 5 4 CO contacts

Contact material

- 7 AgNi 90/10, with test button
- 8 AgNi 90/10 hgp, with test button

Type of construction

- 0 Standard, 2.8 mm Faston
- 1 Print connections



DC coil

- 006 6 V DC
- 012 12 V DC
- 024 24 V DC
- 048 48 V DC
- 060 60 V DC
- 110 110 V DC
- 220 220 V DC

AC coil

- 506 6 V AC
- 512 12 V AC
- 524 24 V AC
- 548 48 V AC
- 615 115 V AC
- 730 230 V AC

Ordering data

Input	12 V DC 2CO	24 V DC 2CO	48 V DC 2CO	110 V DC 2CO
Rated voltage	12 V DC	24 V DC	48 V DC	110 V DC
DC Response/dropout Volt	9.0 V / 1.2 V	18.0 V / 2.4 V	36.0 V / 4.8 V	82.5 V / 11.0 V
Power rating	750 mW	750 mW	750 mW	750 mW
Rated current DC	62.5 mA	31.3 mA	15.6 mA	6.8 mA
Coil resistance	192 Ω ±10%	777 Ω ±10%	3072 Ω ±10%	16133 Ω ±15%

Ordering data Relay				
without LED Type	RCM270012	RCM270024	RCM270048	RCM270110
AgNi 90/10 Order No.	8689840000	8689860000	8689880000	8689900000
with LED Type	RCM270L12	RCM270L24	RCM270L48	RCM270M10
AgNi 90/10 Order No.	8689850000	8689870000	8689890000	8689910000
Type Order No.				

Note				

Ordering data

Input	24 V AC 2CO	48 V AC 2CO	115 V AC 2CO	230 V AC 2CO
Rated voltage	24 V AC	48 V AC	115 V AC	230 V AC
AC Response/dropout Volt	38.4 V / 14.4 V	48.0 V / 18.0 V	92.0 V / 34.5 V	184.0 V / 69.0 V
Power rating	1,0 VA	1,0 VA	1,0 VA	1,0 VA
Rated current AC	41.6 mA	21.3 mA	8.8 mA	4.3 mA
Coil resistance	192 Ω ±10%	777 Ω ±10%	4845 Ω ±12%	19465 Ω ±15%

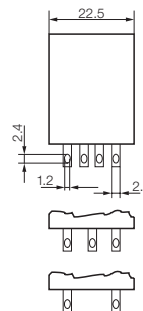
Ordering data Relay				
without LED Type	RCM270524	RCM270548	RCM270615	RCM270730
AgNi 90/10 Order No.	8689760000	8689780000	8689800000	8689820000
with LED Type	RCM270R24	RCM270R48	RCM270S15	RCM270T30
AgNi 90/10 Order No.	8689770000	8689790000	8689810000	8689830000
Type Order No.				

Note				

Relay couplers - RIDERSERIES

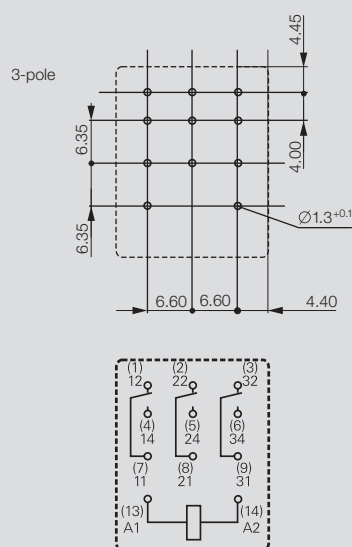
RCM relay 3 CO contact AC/DC coil

- 2500 VA switching capacity
- Solder and plug connection
- Safe-to-touch test button, selectable locking
- White labelling panel



Circuit diagram

View of connections
Dimensions in mm



Output

max. switching voltage AC	250 V
Continuous current	10 A
Contact base material	AgNi 90/10
Mechanical endurance	AC coil 20x10 ⁶ / DC coil 30x10 ⁶ switching operations
Response time / Drop-out time	15ms / 10ms

Rated data

Status indicator / Free wheel diode	see ordering data
Operating temperature	-40 °C...+70 °C
UL 94 flammability rating	V-0
Approvals	cURus; CE; VDE;

Insulation coordination (IEC 60664)

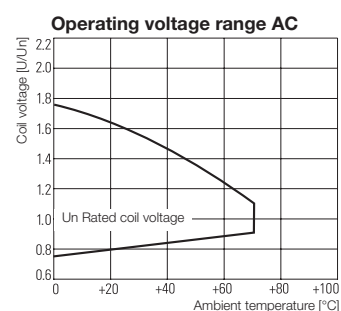
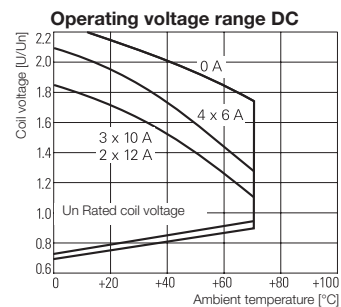
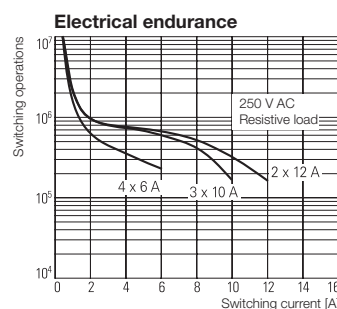
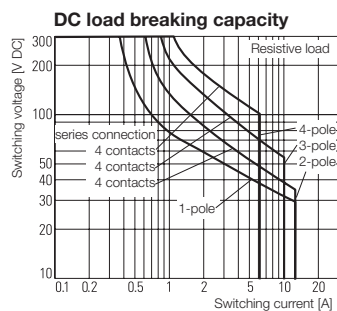
Rated voltage	240 V
Creepage and clearance path input - output	≤ 4mm
Overvoltage category	III
Pollution severity	3

Dimensions

Length x width x height	mm	28 / 22.5 / 29
-------------------------	----	----------------

Note

Applications



**RCM relay
3 CO contact
AC/DC coil**

Type code

Type RIDER Control Multiple

Contacts

- 2 2 CO contacts
- 3 3 CO contacts
- 5 4 CO contacts

Contact material

- 7 AgNi 90/10, with test button
- 8 AgNi 90/10 hgp, with test button

Type of construction

- 0 Standard, 2.8 mm Faston
- 1 Print connections



DC coil

- 006 6 V DC
- 012 12 V DC
- 024 24 V DC
- 048 48 V DC
- 060 60 V DC
- 110 110 V DC
- 220 220 V DC

AC coil

- 506 6 V AC
- 512 12 V AC
- 524 24 V AC
- 548 48 V AC
- 615 115 V AC
- 730 230 V AC

Ordering data

Input	12 V DC 3CO	24 V DC 3CO	48 V DC 3CO	110 V DC 3CO
Rated voltage	12 V DC	24 V DC	48 V DC	110 V DC
DC Response/dropout Volt	9.0 V / 1.2 V	18.0 V / 2.4 V	36.0 V / 4.8 V	82.5 V / 11.0 V
Power rating	750 mW	750 mW	750 mW	750 mW
Rated current DC	62.5 mA	31.3 mA	15.6 mA	6.8 mA
Coil resistance	192 Ω ±10%	777 Ω ±10%	3072 Ω ±10%	16133 Ω ±15%

Ordering data Relay				
without LED Type	RCM370012	RCM370024	RCM370048	RCM370110
AgNi 90/10 Order No.	8690020000	8690040000	8690060000	8690080000
with LED Type	RCM370L12	RCM370L24	RCM370L48	RCM370M10
AgNi 90/10 Order No.	8694310000	8690050000	8689940000	8690090000
Type				
Order No.				

Note				

Ordering data

Input	24 V AC 3CO	48 V AC 3CO	115 V AC 3CO	230 V AC 3CO
Rated voltage	24 V AC	48 V AC	115 V AC	230 V AC
AC Response/dropout Volt	19.2 V / 7.2 V	38.4 V / 14.4 V	92.0 V / 34.5 V	184.0 V / 69.0 V
Power rating	1,0 VA	1,0 VA	1,0 VA	1,0 VA
Rated current AC	41.6 mA	21.3 mA	8.8 mA	4.3 mA
Coil resistance	192 Ω ±10%	777 Ω ±10%	4845 Ω ±12%	19465 Ω ±15%

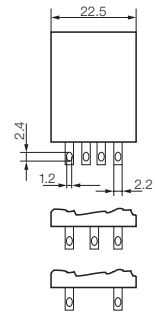
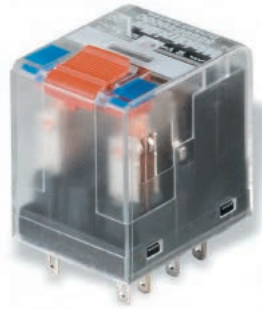
Ordering data Relay				
without LED Type	RCM370524	RCM370548	RCM370615	RCM370730
AgNi 90/10 Order No.	8690030000	on request	8689980000	8690000000
with LED Type	RCM370R24	RCM370R48	RCM370S15	RCM370T30
AgNi 90/10 Order No.	8689950000	8689970000	8689990000	8690010000
Type				
Order No.				

Note				

Relay couplers - RIDERSERIES

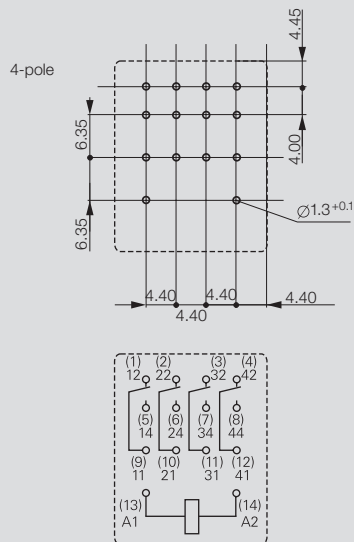
RCM relay 4 CO contact AC/DC coil

- 1500 VA switching capacity
- Solder and plug connection
- AC/DC versions also with gold-plated contacts
- Safe-to-touch test button, selectable locking
- White labelling panel



Circuit diagram

View of connections
Dimensions in mm



Output

max. switching voltage AC	250 V
Continuous current	6 A
Contact base material	AgNi 90/10 or AgNi 5µm Au
Mechanical endurance	AC coil 20x10 ⁶ / DC coil 30x10 ⁶ switching operations
Response time / Drop-out time	15ms / 10ms

Rated data

Status indicator / Free wheel diode	see ordering data
Operating temperature	-40 °C...+70 °C
UL 94 flammability rating	V-0
Approvals	cURus; CE; VDE;

Insulation coordination (IEC 60664)

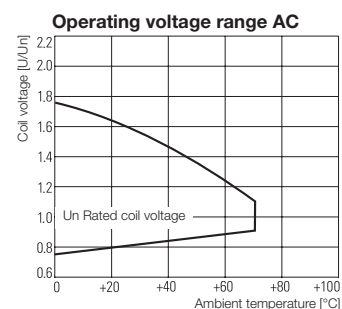
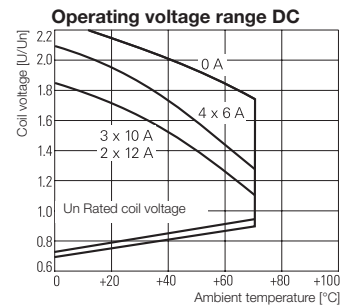
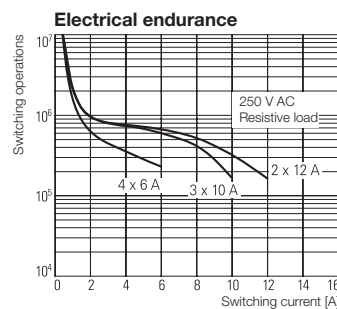
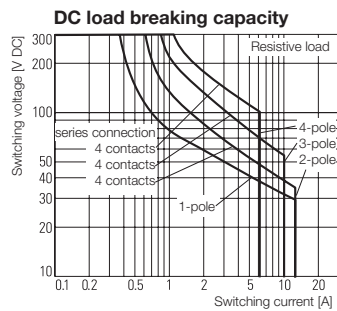
Rated voltage	240 V
Creepage and clearance path input - output	≤ 3mm
Overvoltage category	III
Pollution severity	2

Dimensions

Length x width x height mm 28 / 22.5 / 29

Note

Applications



**RCM relay
4 CO contact
AC/DC coil**

Type code

Type RIDER Control Multiple

Contacts

- 2 2 CO contacts
- 3 3 CO contacts
- 5 4 CO contacts

Contact material

- 7 AgNi 90/10, with test button
- 8 AgNi 90/10 hgp, with test button

Type of construction

- 0 Standard, 2.8 mm Faston
- 1 Print connections



DC coil

- 006 6 V DC
- 012 12 V DC
- 024 24 V DC
- 048 48 V DC
- 060 60 V DC
- 110 110 V DC
- 220 220 V DC

AC coil

- 506 6 V AC
- 512 12 V AC
- 524 24 V AC
- 548 48 V AC
- 615 115 V AC
- 730 230 V AC

Ordering data

Input	12 V DC 4CO	24 V DC 4CO	48 V DC 4CO	110 V DC 4CO
Rated voltage	12 V DC	24 V DC	48 V DC	110 V DC
DC Response/dropout Volt	9.0 V / 1.2 V	18 V / 2.4 V	36 V / 4.8 V	82.5 V / 11 V
Power rating	750 mW	750 mW	750 mW	750 mW
Rated current DC	62.5 mA	31,3 mA	15.6 mA	6.8 mA
Coil resistance	192 Ω ±10%	777 Ω ±10%	3072 Ω ±10%	16133 Ω ±15%

Ordering data Relay				
without LED Type	RCM570012	RCM570024	RCM570048	RCM570110
AgNi 90/10 Order No.	8054360000	8690200000	8074670000	8074700000
with LED Type	RCM570L12	RCM570L24	RCM570L48	RCM570M10
AgNi 90/10 Order No.	8690180000	8690220000	8690230000	8690240000
without LED Type	RCM580012	RCM580024	RCM580048	RCM580110
AgNi 5µm Au Order No.	on request	8694460000	on request	8829000000

Note				

Ordering data

Input	24 V AC 4CO	48 V AC 4CO	115 V AC 4CO	230 V AC 4CO
Rated voltage	24 V AC	48 V AC	115 V AC	230 V AC
AC Response/dropout Volt	19,2 V / 7,2 V	38,4 V / 14,4 V	92 V / 34,5 V	184 V / 69 V
Power rating	1,0 VA	1,0 VA	1,0 VA	1,0 VA
Rated current AC	41,6 mA	21,3 mA	8,8 mA	4,3 mA
Coil resistance	192 Ω ±10%	777 Ω ±10%	4845 Ω ±12%	19465 Ω ±15%

Ordering data Relay				
without LED Type	RCM570524	RCM570548	RCM570615	RCM570730
AgNi 90/10 Order No.	8690110000	1180900000	1180800000	1181100000
with LED Type	RCM570R24	RCM570R48	RCM570S15	RCM570T30
AgNi 90/10 Order No.	8690120000	8690130000	8690150000	8690160000
without LED Type	RCM580524		RCM580615	RCM580730
AgNi 5µm Au Order No.	7940008171		8824860000	7940007637

Note				