

**Safe. Fast. RIDERSERIES.**

The RIDERSERIES relays with industrial pinning and bases with Push In connectivity.

Profit from the unbeatable advantages offered by the RIDERSERIES relays:

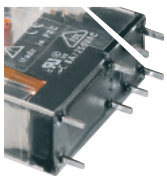
- Safe: industrial pinning
- Useful: free-wheeling diode and LED indicator
- Practical: test lever for mechanical operation of the contacts
- Fast: base with Push In connection
- Time-saving: cross connections can be instantly plugged-in



Discover the advantages of our new RIDERSERIES for yourself.

**Safe. Simple. RCI.**

The new RCI power relays from Weidmüller have been developed for use in industrial applications. Thanks to their outstanding contact properties, the relays can handle power up to 16 A with 24 Vdc or 230 Vac. To split the signal, simply use two change-over contacts, in which case the contacts each switch loads of up to 8 A with 24 Vdc or 230 Vac. As a handy extra detail, the AC and DC inputs are different colours for easy identification.



Establishing reliable connections: strong industrial pins for safe and fast assembly.

Reducing assembly time into the base: the integrated free-wheeling diode (DC) and the LED indicator.



Easy to use: test lever for mechanical operation of the contacts.



Simply release the catch and the test lever will click into place.

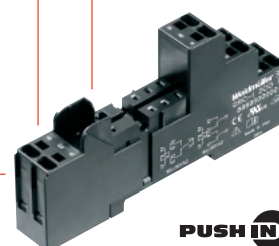
**Fast. Straightforward. Push In.**

RIDERSERIES relay bases are equipped with Push In connectivity. That means you need 75 % less time for wiring than for a relay base with a screw connection because solid and crimped conductors can simply be inserted without the need to open the clamping point. Other accessories include modules for input wiring, retaining clips and multicard markers.



Time-saving cross-connections: two-pin bridges for instantly pluggable electrical distribution in the input and output. You only need one clamping point for each Push In connection – the second one remains free for other connections!

It's never been so easy. Insert the conductor and you're done – a safe connection has been made! Each connection has two clamping points for conductors up to 1.5 mm<sup>2</sup>.



Extremely practical: a universal slot allows you to add modules to wire the relay coil, e.g. for varistors, resistances or RC combinations.



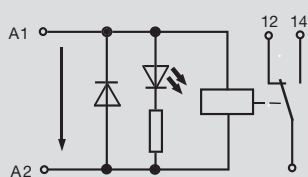
# Relay couplers - RIDERSERIES

## RCI KIT with screw connection 1 changeover contact

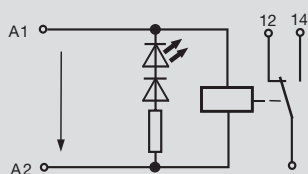
- 4000 VA switching capacity
- Robust plug-in connections
- LED integrated into relay
- Protective circuit with DC coil
- Optional test button with clip-in function and viewing window



### DC-Version



### AC-Version



Output	
max. switching voltage AC	250 V
Continuous current	16 A
Contact base material	AgNi 90/10
Mechanical endurance	AC coil 5x10 <sup>6</sup> / DC coil 10x10 <sup>6</sup> switching operations
Response time / Drop-out time	7 ms / 3 ms
Rated data	
Status indicator / Free wheel diode	yes / yes
Operating temperature	-40 °C...+70 °C
UL 94 flammability rating	V-0
Approvals	CE
Insulation coordination (IEC 60664)	
Rated voltage	250 V
Creepage and clearance path input - output	8 mm
Overvoltage category	III
Pollution severity	3
Protective separation to VDE 0106 part 101	yes
Dimensions	
Clamping range (rating- / min. / max.)	mm <sup>2</sup> 2.5 / 0.5 / 2.5
Length x width x height	mm 70 / 15.5 / 77
Screw connection	
Note	

Ordering data	24 V DC 1CO	24 V AC 1CO	115 V AC 1CO	230 V AC 1CO
<b>Input</b>				
Rated voltage	24 V DC	24 V AC	115 V AC	230 V AC
Rated current AC		31,6 mA	6,6 mA	3,2 mA
Rated current DC	16,7 mA			
Power rating	400 mW	0,75 VA	0,75 VA	0,75 VA
AC Response/dropout Volt		18 V / 3,6 V	86,3 V / 17,3 V	172,5 V / 34,5 V
DC Response/dropout Volt	16,8 V / 2,4 V			
Coil resistance	1440 Ω ±10%	350 Ω ±10%	8100 Ω ±15%	32500 Ω ±15%

Ordering data	24 V DC 1CO		24 V AC 1CO		115 V AC 1CO		230 V AC 1CO	
<b>Complete module</b>								
with test button	Type	RCIKIT 24VDC 1CO LD/PB	RCIKIT 24VAC 1CO LD/PB	RCIKIT 120VAC 1CO LD/PB	RCIKIT 120VAC 1CO LD/PB	RCIKIT 230VAC 1CO LD/PB	RCIKIT 230VAC 1CO LD/PB	RCIKIT 230VAC 1CO LD/PB
	Order No.	8881580000	8881590000	8897060000	8897060000	8881600000	8881600000	8881600000
without test button	Type	RCIKIT 24VDC 1CO LED	RCIKIT 24VAC 1CO LED	RCIKIT 120VAC 1CO LD	RCIKIT 120VAC 1CO LD	RCIKIT 230VAC 1CO LED	RCIKIT 230VAC 1CO LED	RCIKIT 230VAC 1CO LED
	Order No.	8871000000	8871010000	8897090000	8897090000	8871020000	8871020000	8871020000

Ordering data	24 V DC 1CO		24 V AC 1CO		115 V AC 1CO		230 V AC 1CO	
<b>Spare relay, pluggable</b>								
	w. test button	w.o. test button	w. test button	w.o. test button	w. test button	w.o. test button	w. test button	w.o. test button
	Type	RCI374AC4 RCI314AC4	RCI374R24 RCI314R24	RCI374S15 RCI314S15	RCI374S15 RCI314S15	RCI374T30 RCI314T30	RCI374T30 RCI314T30	RCI374T30 RCI314T30
	Order No.	8870250000 8870100000	8870280000 8870130000	8870290000 8870140000	8870290000 8870140000	8870300000 8870150000	8870300000 8870150000	8870300000 8870150000

Note				
------	--	--	--	--



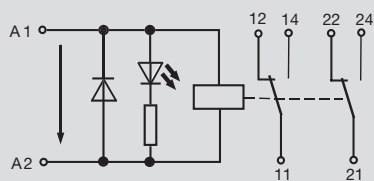
## Relay couplers - RIDERSERIES

### RCI KIT with screw connection 2 changeover contacts

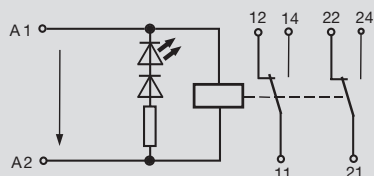
- 2000 VA switching capacity
- Robust plug-in connections
- LED integrated into relay
- Protective circuit with DC coil
- Optional test button with clip-in function and viewing window



#### DC-Version



#### AC-Version



#### Output

max. switching voltage AC	250 V
Continuous current	8 A / 1 contact
Contact base material	AgNi 90/10
Mechanical endurance	AC coil 5x10 <sup>6</sup> / DC coil 10x10 <sup>6</sup> switching operations
Response time / Drop-out time	7 ms / 2 ms

#### Rated data

Status indicator / Free wheel diode	yes / yes
Operating temperature	-40 °C...+70 °C
UL 94 flammability rating	V-0
Approvals	CE

#### Insulation coordination (IEC 60664)

Rated voltage	250 V
Creepage and clearance path input - output	8 mm
Overvoltage category	III
Pollution severity	3
Protective separation to VDE 0106 part 101	yes

#### Dimensions

		Screw connection
Clamping range (rating- / min. / max.)	mm <sup>2</sup>	2.5 / 0.5 / 2.5
Length x width x height	mm	70 / 15.5 / 77

#### Note

#### Ordering data

Input	24 V DC 2CO	24 V AC 2CO	115 V AC 2CO	230 V AC 2CO
Rated voltage	24 V DC	24 V AC	115 V AC	230 V AC
Rated current AC		31,6 mA	6,6 mA	3,2 mA
Rated current DC	16,7 mA			
Power rating	400 mW	0,75 VA	0,75 VA	0,75 VA
AC Response/dropout Volt		18 V / 3,6 V	86,3 V / 17,3 V	172,5 V / 34,5 V
DC Response/dropout Volt	16,8 V / 2,4 V			
Coil resistance	1440 Ω ±10%	350 Ω ±10%	8100 Ω ±15%	32500 Ω ±15%

#### Ordering data

##### Complete module

	24 V DC 2CO	24 V AC 2CO	115 V AC 2CO	230 V AC 2CO
with test button	Type RCIKIT 24VDC 2CO LD/PB	Type RCIKIT 24VAC 2CO LD/PB	Type RCIKIT 120VAC 2CO LD/PB	Type RCIKIT 230VAC 2CO LD/PB
Order No.	8881610000	8881620000	8897080000	8881630000
without test button	Type RCIKIT 24VDC 2CO LED	Type RCIKIT 24VAC 2CO LED	Type RCIKIT 120VAC 2CO LD	Type RCIKIT 230VAC 2CO LED
Order No.	8871030000	8871040000	8897100000	8871050000

#### Ordering data

##### Spare relay, pluggable

	w. test button		w.o. test button		w. test button		w.o. test button	
Type	RCI484AC4	RCI424AC4	RCI484R24	RCI424R24	RCI484S15	RCI424S15	RCI484T30	RCI424T30
Order No.	8870320000	8870180000	8870350000	8870210000	8870360000	8870220000	8870370000	8870230000

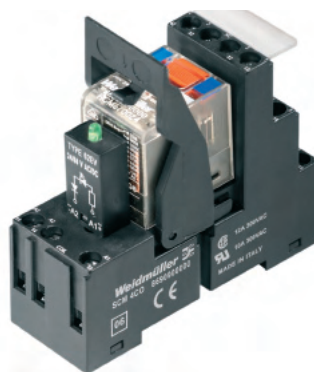
#### Note



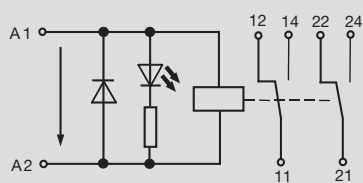
## Relay couplers - RIDERSERIES

### RCM KIT 2 CO contact AC/DC coil

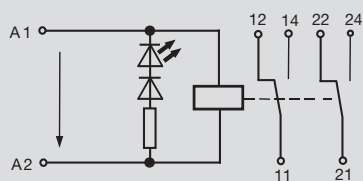
- Modular system comprising
- relay socket for rail mounting
  - LED indicator unit
  - retaining clip
  - plug-in relay
  - markers



#### DC version



#### AC version



#### Output

max. switching voltage AC	250 V
Continuous current	12 A
Contact base material	AgNi 90/10
Mechanical endurance	AC coil 20x10 <sup>6</sup> / DC coil 30x10 <sup>6</sup> switching operations
Response time / Drop-out time	15ms / 10ms

#### Rated data

Status indicator/Free wheel diode	Green LED = DC coil; red LED = AC coil/Yes
Operating temperature	-40 °C...+70 °C
UL 94 flammability rating	V-0
Approvals	CE

#### Insulation coordination (IEC 60664)

Rated voltage	240 V
Creepage and clearance path input - output	≤ 4mm
Overvoltage category	III
Pollution severity	2

#### Dimensions

	Screw connection	Tension clamp connection
Clamping range (rating- / min. / max.)	mm <sup>2</sup> 2.5 / 0.5 / 2.5	
Length x width x height	mm 75 / 27 / 82	

#### Note

#### Ordering data

Input	24 V DC 2CO LED	24 V AC 2CO LED	115 V AC 2CO	230 V AC 2CO LED
Rated voltage	24 V DC	24 V AC	115 V AC	230 V AC
Rated current AC		41,6 mA	8,8 mA	4,3 mA
Rated current DC	31,3 mA			
Power rating	750 mW	1,0 VA	1,0 VA	1,0 VA
AC Response/dropout Volt		19,2 V / 7,2 V	92 V / 34,5 V	184,0 V / 69,0 V
DC Response/dropout Volt	18,0 V / 2,4 V			

#### Ordering data

##### Complete module

Screw connection	Type	RCMKIT 24VDC 2CO LED GN	RCMKIT 24VAC 2CO LED RT	RCMKIT 115VAC 2CO LEDRT	RCMKIT 230VAC 2CO LED RT
Order No.		<b>7940007061</b>	<b>7940007113</b>	<b>8810130000</b>	<b>7940007116</b>
Tension clamp connection	Type				
Order No.					

#### Ordering data

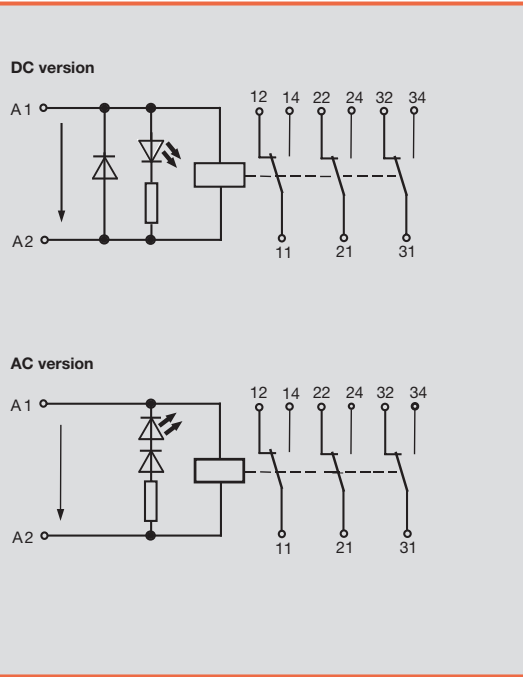
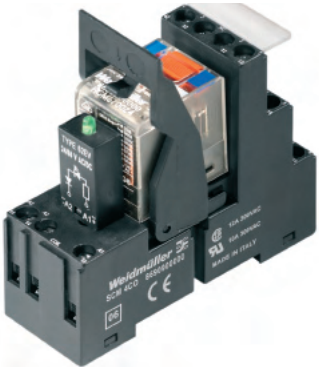
##### Spare relay, pluggable

Type	RCM270024	RCM270524	RCM270615	RCM270730
Order No.	<b>8689860000</b>	<b>8689760000</b>	<b>8689800000</b>	<b>8689820000</b>

#### Note

**RCM KIT  
3 CO contact  
AC/DC coil**

- Modular system comprising
- relay socket for rail mounting
  - LED indicator unit
  - retaining clip
  - plug-in relay
  - markers



Output	
max. switching voltage AC	250 V
Continuous current	10 A
Contact base material	AgNi 90/10
Mechanical endurance	AC coil 20x10 <sup>6</sup> / DC coil 30x10 <sup>6</sup> switching operations
Response time / Drop-out time	15ms / 10ms
Rated data	
Status indicator/Free wheel diode	Green LED = DC coil; red LED = AC coil/Yes
Operating temperature	-40 °C...+70 °C
UL 94 flammability rating	V-0
Approvals	CE
Insulation coordination (IEC 60664)	
Rated voltage	240 V
Creepage and clearance path input - output	≤ 4mm
Overtoltage category	III
Pollution severity	2
Dimensions	
Clamping range (rating- / min. / max.)	mm <sup>2</sup> 2.5 / 0.5 / 2.5
Length x width x height	mm 75 / 27 / 82
Note	

Ordering data	24 V DC 3CO LED	24 V AC 3CO LED	115 V AC 3CO LED	230 V AC 3CO LED
<b>Input</b>				
Rated voltage	24 V DC	24 V AC	115 V AC	230 V AC
Rated current AC		41,6 mA	8,8 mA	4,3 mA
Rated current DC	31,3 mA			
Power rating	750 mW	1,0 VA	1,0 VA	1,0 VA
AC Response/dropout Volt		19,2 V / 7,2 V	92 V / 34,5 V	184,0 V / 69,0 V
DC Response/dropout Volt	18,0 V / 2,4 V			
<b>Ordering data Complete module</b>				
Screw connection Type	RCMKIT 24VDC 3CO LED GN	RCMKIT 24VAC 3CO LED RT	RCMKIT 115VAC 3CO LEDRT	RCMKIT 230VAC 3CO LED RT
Order No.	<b>7940007062</b>	<b>7940007114</b>	<b>8810140000</b>	<b>7940007117</b>
Tension clamp connection Type				
Order No.				
<b>Ordering data Spare relay, pluggable</b>				
Type	RCM370024	RCM370524	RCM370615	RCM370730
Order No.	<b>8690040000</b>	<b>8690030000</b>	<b>8689980000</b>	<b>8690000000</b>
<b>Note</b>				

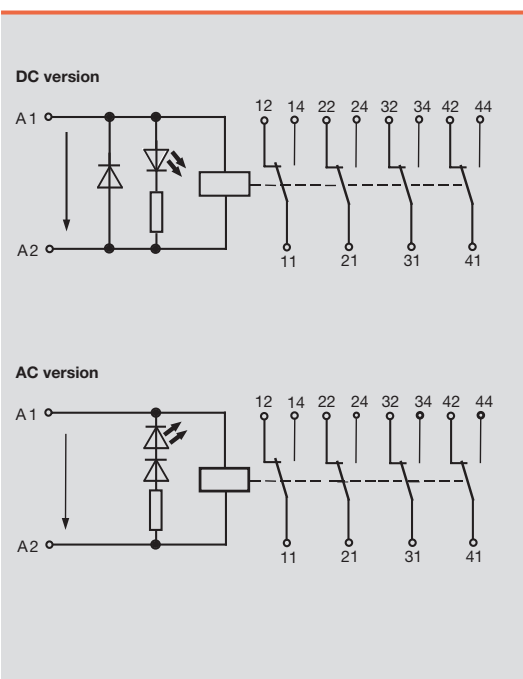
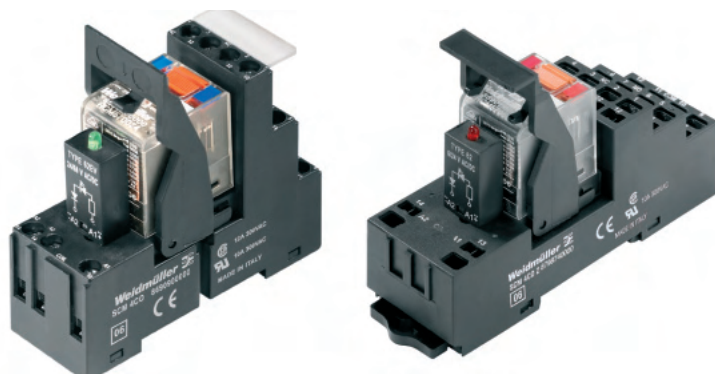
## Relay couplers - RIDERSERIES

### RCM KIT 4 CO contact AC/DC coil

- Modular system comprising
- relay socket for rail mounting
  - LED indicator unit
  - retaining clip
  - plug-in relay
  - markers

Choice of connection system:

- screw or tension clamp



Output	
max. switching voltage AC	250 V
Continuous current	6 A
Contact base material	AgNi 90/10
Mechanical endurance	AC coil 20x10 <sup>6</sup> / DC coil 30x10 <sup>6</sup> switching operations
Response time / Drop-out time	15ms / 10ms
Rated data	
Status indicator/Free wheel diode	Green LED = DC coil; red LED = AC coil/Yes
Operating temperature	-40 °C...+70 °C
UL 94 flammability rating	V-0
Approvals	CE
Insulation coordination (IEC 60664)	
Rated voltage	240 V
Creepage and clearance path input - output	≤ 3mm
Overtoltage category	III
Pollution severity	2
Dimensions	
Clamping range (rating- / min. / max.)	mm <sup>2</sup> 2.5 / 0.5 / 2.5
Length x width x height	mm 75 / 27 / 82
Note	

Ordering data	24 V DC 4CO LED	24 V AC 4CO LED	115 V AC 4CO LED	230 V AC 4CO LED
<b>Input</b>				
Rated voltage	24 V DC	24 V AC	115 V AC	230 V AC
Rated current AC		41,6 mA	8,8 mA	4,3 mA
Rated current DC	31,3 mA			
Power rating	750 mW	1,0 VA	1,0 VA	1,0 VA
AC Response/dropout Volt		19,2 V / 7,2 V	92 V / 34,5 V	184,0 V / 69,0 V
DC Response/dropout Volt	18,0 V / 2,4 V			
<b>Ordering data Complete module</b>				
Screw connection Type	RCMKIT 24VDC 4CO LED GN	RCMKIT 24VAC 4CO LED RT	RCMKIT 115VAC 4CO LEDRT	RCMKIT 230VAC 4CO LED RT
Order No.	<b>7940007063</b>	<b>7940007115</b>	<b>8810150000</b>	<b>7940007118</b>
Tension clamp connection Type	RCMKITZ 24VDC 4CO LED	RCMKITZ 24VAC 4CO LED	RCMKITZ 115VAC 4CO LDRT	RCMKITZ 230VAC 4CO LED
Order No.	<b>8798740000</b>	<b>8798750000</b>	<b>8810080000</b>	<b>8798760000</b>
<b>Ordering data Spare relay, pluggable</b>				
Type	RCM570024	RCM570524	RCM570615	RCM570730
Order No.	<b>8690200000</b>	<b>8690110000</b>	<b>1180800000</b>	<b>1181100000</b>
<b>Note</b>				