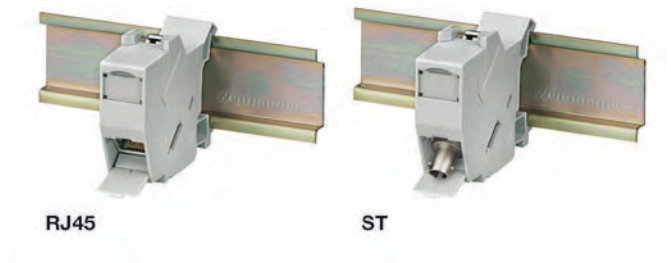
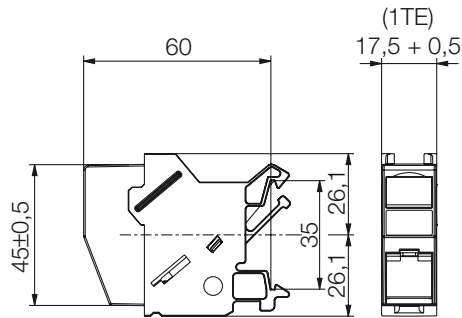


Weidmuller IE-LINE RJ45

Terminal rail outlets

- Cat.6
- IP 20
- TS35



Terminal rail outlets

Application:

Weidmuller mounting rail outlets should be your first choice in the switchgear cabinet when you need to connect

- installation cables,
- RJ45 cables,
- Fiber optic cable with ST connectors

The differences:

- 8808360000: RJ45 module insert for connecting conductor from AWG26 to AWG22; color-coded acc. to EIA/TIA 568 A
- 8891980000: RJ45 module insert for connecting conductor from AWG26 to AWG22, color-coded acc. to EIA/TIA 568 B
- 8879050000: coupling insert RJ45 to RJ45
- 8808340000: coupling insert ST to ST

Ordering data

with Coupling		Type	Order No.
	RJ45 - RJ45	IE-XM-RJ45/RJ45	8879050000
	ST - ST	IE-XM-ST/ST	8808340000
with module insert			
	RJ45 module EIA/TIA 568 A	IE-XM-RJ45/IDC	8808360000
	RJ45 module EIA/TIA 568 B	IE-XM-RJ45/IDC-B	8891980000

Accessories

		Type	Order No.
	Outlet marker	IE-DM	8813500000
Note			

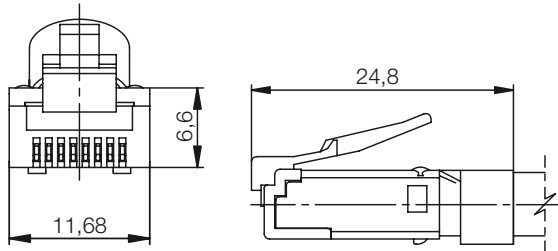
Technical data

Category	Cat.6 (IEC 11801)
Protection class	IP 20
Housing material	PA 66; UL 94: V0
Color	light gray (RAL 7035)
Plugging cycles	750 plugging cycles for plugs to IEC 60603-7
Installation	for terminal rail TS35

Note:

RJ45 connecting plug

- Cat.6
- with bending protection



RJ45 connecting plug

Application:

Weidmullers RJ45 connectors help you to assemble your cable, whether they are from solid or flexible conductors.

Variations:

- 8813110000: connector with bending protection sleeve; Cable clamping range from 5.5 to 6.2 mm
- 8881320000: connector with kink-prevention sleeve; Cable clamping range from 6.2 to 7.1 mm

Ordering data

Plug	Type	Order No.
With kink prevention; 5.5 - 6.2 mm	IE-P63	8813110000
With kink prevention; 6.2 - 7.1 mm	IE-P70	8813120000

Accessories

tools	Type	Order No.
Crimping tool	TT 8 RS MP 8	9202800000
Note	See also the "Accessories" chapter.	

Technical data

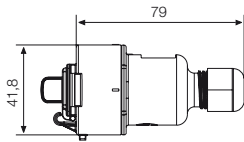
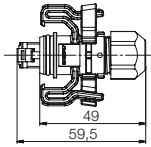
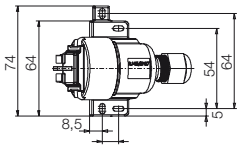
Category	Cat.6 (IEC 11801)
Protection class	IP 20
bending protection / Locking lever catch	Yes
Stranded cable diameter, Flexible, min. / max.	0.46 mm / 0.61 mm
Cable strand diameter, flexible, min. / max.	AWG 27/7 / AWG 24/7
Solid wire diameter, min. / max.	0.36 mm / 0.51 mm
Solid wire diameter, min. / max.	AWG 27/1 / AWG 24/1
Plug to IEC 60603-7-5 (standard)	Yes, tested to 250 MHz
Bending protection sleeve material	Polyamide PA6, UL94-VO
Material of insulating parts	PC UL 94 V-0
Contact material	Phosphorus bronze
Contact surface	gold-plated
Shielding material	0.5 mm brass, 2 µm nickel
Plugging cycles	750 plugging cycles for plugs to IEC 60603-7
Cable pull-out force, min.	89 N
Insertion force, max.	20 N
Operating temperature, min. / max.	-40 °C / 70 °C
Contact resistance, max.	20 mΩ
Insulation resistance, min.	500 MΩ
Dielectric strength, contact - contact	1000 V DC
Dielectric strength, contact - shield	1500 V DC
Operating current at 50°C	1 A

Note:

Weidmuller IE-LINE RJ45

Junction box, cable coupler, plug V 06

- Cat.6
- IP 67



Junction box, cable coupling, V 06 plug

Application:

Use connectors with IP 67 protection to connect your industrial Ethernet lines in industrial environments.

The differences:

- 8808370000: junction box for fixed mounting; IDC connection for conductors from AWG26 to AWG 22
- 8813090000: cable coupling for exposed connections; IDC connection for conductors from AWG 26 to AWG 22
- 8808380000: crimp-version plug set for connecting to junction box or cable coupling; for flexible conductors from AWG 27/7 to AWG 24/7

Ordering data

Description of article	Type	Order No.
Junction box	IE-S-IP67	8808370000
Cable coupling	IE-C-IP67	8813090000
Plug	IE-P-IP67	8808380000

Accessories

tools	Type	Order No.
Crimping tool	TT 8 RS MP 8	9202800000
Note	See also the "Accessories" chapter.	

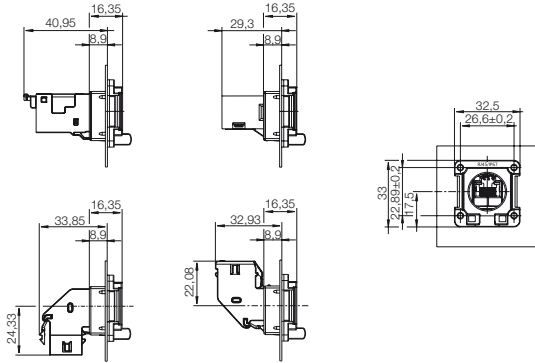
Technical data

Category	Cat.6 (IEC 11801)
Protection class	IP 67
Shielding	360° shield contact
Housing material	PA 66; UL 94: V-0
Color	light gray (RAL 7035)
Plugging cycles	750 plugging cycles for plugs to IEC 60603-7
Installation	Wall or floor mounting, for exposed connections
Wiring	Color-coded pin assignment to EIA/TIA T568 A.
Operating temperature, min. / max.	-40 °C / 70 °C

Note:

Built-in flange V 06

- Cat.6
- IP 67



V 06 mounting flange

Application:

Weidmuller's mounting flanges are your best choice when you need IP 67 connections at the switching cabinet or distribution board.

TVariations:

- 8808440000: RJ45 module insert for connection of conductors ranging from AWG 26 to AWG 22; Color coding acc. to EIA/TIA 568 A
- 8808450000: coupling insert for RJ45 to RJ45, straight version
- 8829450000: coupling insert for RJ45 to RJ45, downwards angled version
- 8829440000: coupling insert for RJ45 to RJ45, upwards angled version
- 8892670000: coupling insert for USB to USB

Ordering data

Coupling flange	Type	Order No.
straight	IE-X1M-FJ45/RJ45-IP67	8808450000
Angled, downwards	IE-XM-6D-RJ45/RJ45-IP67	8829450000
Angled, upwards	IE-XM-6U-RJ45/RJ45-IP67	8829440000
RJ45 module flange		
straight	IE-XM-RJ45/IDC-IP67	8808440000
USB flange		
	IE-XM-USB/USB-IP67	8892670000

Accessories

Flange insert	Type	Order No.
RJ45 module A, straight	IE-XRJ45/IDC	8808330000
RJ45 module B, straight	IE-XRJ45/IDC-B	8908840000
RJ45 coupling, straight	IE-XRJ45/RJ45	8878120000
RJ45 coupling, angled	IE-U-XRJ45/RJ45	8878130000
Note		

Technical data

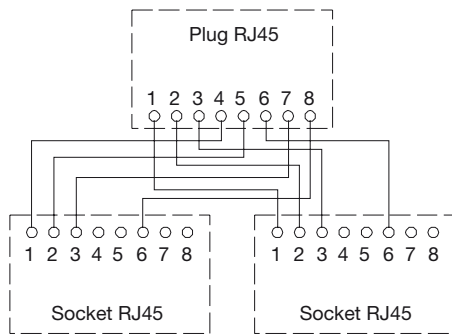
Category	Cat.6 (IEC 11801)
Protection class	IP 67
Housing material	PA 66; UL 94: V-0
Color	light gray (RAL 7035)
Shielding	360° shield contact
Installation	in switching cabinet or junction boxes
Plugging cycles	750 plugging cycles for plugs to IEC 60603-7

Note:

Weidmuller IE-LINE RJ45

Cable splitter module

- Cat.5
- IP 20



Cable splitter module

Application:

If you need an adapter that lets you use one eight-wire installation cable for two four-wire services, then the Weidmuller cable splitter module is the right choice for you.

Ordering data

Description of article	Type	Order No.
Cable splitter module	IE-CSM 1 Set	8808400000
	Supplied in packs of 2 pcs	

Accessories

Note

Technical data

Category	Cat.5 (IEC 11801)
Protection class	IP 20
Color	light gray (RAL 7035)
Installation	can be plugged in adjacent to each other in patch panel
Housing material	shockproof ABS, metallized aluminum

Note:

Connection module

- Cat.7
- IP 20



Connecting module

Application:

The Weidmuller connecting module is useful for repairing or extending cables in confined spaces without any extra cable. Please note that you will need to make an extra plug-in connection when using this module. This can influence the transmission properties of that stretch and must therefore be documented.

Ordering data

Description of article	Type	Order No.
Connecting module	IE-CCM	8808410000

Accessories

tools	Type	Order No.
PUNCH DOWN TOOL	PUNCH DOWN TOOL PDT	9013970000
Note	Blades see the "Tools" chapter (page E.7).	

Technical data

Category	Cat.7 (IEC 11801)
Protection class	IP 20
Housing material	fully shielded metal housing
Color	gray
Shielding	Captive 360° shield connection, plus separate strain relief
Installation	Wall or floor mounting
Functionality	Module for extending or repairing Ethernet cables; cable can be fed from one or both ends.
Connection for core	AWG 24 to AWG 22/1 IDC LSA Plus®

Note: