

Overvoltage protection for data interface

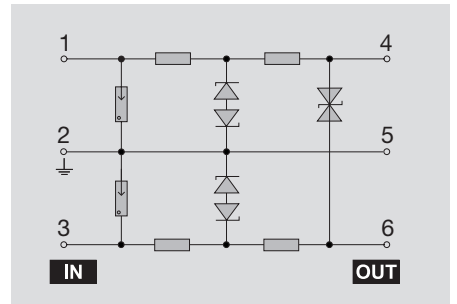
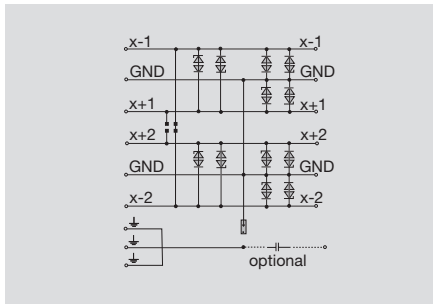
RS485/422

RS485

RS485

RS485/RS422 Overvoltage protection

RS485/RS422 plug. Overvoltage Protection



Technical data

Technical specification

Rated voltage U_n (AC)
 Operating voltage U_c (ac), max.
 Operating current, I_{max}
 Volume resistance
 Baud rate
 Response time
 Gas discharger
 Varistor
 Suppressor diodes
 Cut-off freq. (-3dB) at load impedance
 Leakage current, max. (8/20 μ s)
 On output side, sym. 1kV/ μ s input, typical
 On output side sym, at Input 8/20 μ s, typical
 On the output side, unsymmetrical, Input 1kV/ μ s, typ.
 On output side usym., Input 8/20 μ s, typical
 Design
 Type of connection
 Stor. temp. min./Storage temp., max.
 Oper. temp. min./Oper. temp. max.

12V
 12V
 1.50A
 0.50 Ω
 <= 6 MB
 <= 5 ns
 Yes
 No
 Yes
 0.50kA
 18V
 28V
 18V
 28V
 miscellaneous
 screw connection
 -25°C/85°C
 -25°C/60°C

6V
 12V
 1.50A
 0.10 Ω
 <= 9600 Bd
 <= 5 ns
 Yes
 No
 Yes
 0.50kA
 18V
 36V
 18V
 36V
 plug card
 push-on connection
 -25°C/85°C
 -25°C/60°C

Dimensions

Clamping range (rating- / min. / max.) mm²
 Length x width x height mm

screw connection

12 / 0.50 / 4
 125 x 80.0 x 57

push-on connection

96.60 x 20.0 x 117

Information

Ordering data

Version

Type	Qty.	Order No.
RS 485 K21 UE-SCHUTZ SE	1	8008501001

Type	Qty.	Order No.
LPU RS 485	1	9454930000

Information

Accessories

Information

Housing SEG-U 8007871001

Articles with coloured order number are kept permanently in stock at the central warehouse in Germany.
 Delivery times see page X.2