

Card holders

19" Euro format

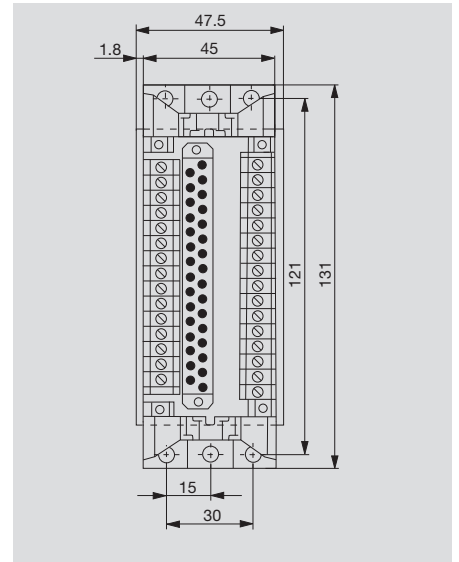
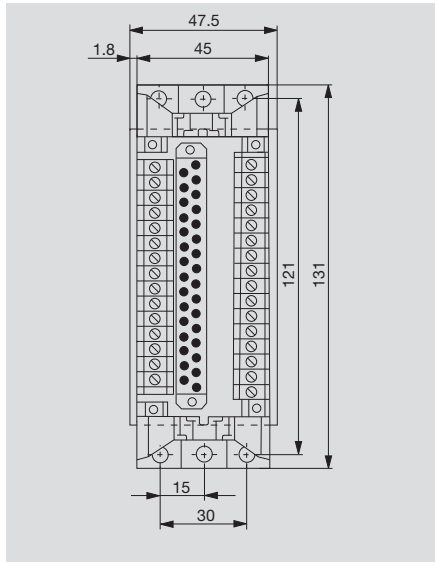
- For inserting cards in Euro format 100 x 160 mm
- Converts IEC 603/DIN 41612 or DIN 41617 plug-in connectors to PCB connection elements
- Direct mounting or rail mounting on TS35 with accessories

Accessories:

- Fixing plate HP 0137100000 (included in scope of supply)
- Grip white ZG 0128000000
- Grip black ZG 0128060000
- Mounting plate MP 2054280000
- Mounting foot TS35 FM 0687900000

SKH 31

SKH 31 250V



Technical data

Connection data		SKH 31		SKH 31 250V	
Connection on process side		PCB terminal LP 5.08		PCB terminal LP 5.08	
Stripping length		7.0 mm		7.0 mm	
Design/Contact complement		DIN41617 31-pole /		DIN41617 31-pole /	
Type		PCB locking 1 clip		PCB locking 1 clip	
Rated data		SKH 31		SKH 31 250V	
Conversion PCB/plug connector		1:1		1:1	
Rated voltage/Rated current per connection		125 V AC/ 150 V DC /5 A		250 V /5 A	
Test voltage (~eff)/Test torque		1.3 kV/0.40 Nm		1.5 kV/0.40 Nm	
Storage temperature		-40 °C...+60 °C		-40 °C...+60 °C	
Ambient temperature (operational)		0 °C...+55 °C		0 °C...+55 °C	
Terminal rail		TS 35 + direct assembly		TS 35 + direct assembly	
Insulation coordination (EN 50178)		SKH 31		SKH 31 250V	
Surge category/Pollution severity		III /2		III /2	
Standards		EN 50178		EN 50178	
Dimensions		SKH 31		SKH 31 250V	
Clamping range (rating- / min. / max.)	mm <sup>2</sup>	2.5 / 0.5 / 4		2.5 / 0.5 / 4	
Length x width x height	mm	47.5 x 131 x 144		47.5 x 131 x 144	
Note		SKH 31		SKH 31 250V	

Ordering data

Type	Qty.	Order No.	Type	Qty.	Order No.
PCB locking 1 clip	1	0586661001	SKH 31 LP 250VAC RH1	1	0648661001
<b>Note</b>		Mounting plate MP 2054280000 Mounting foot TS35 FM4 0687900000	Mounting plate MP 2054280000 Mounting foot TS35 FM4 0687900000		

### 19" Euro format

- For inserting cards in Euro format 100 x 160 mm
- Converts IEC 603/DIN 41612 or DIN 41617 plug-in connectors to PCB connection elements
- Direct mounting or rail mounting on TS35 with accessories

#### Accessories:

Fixing plate HP 0137100000 (included in scope of supply)

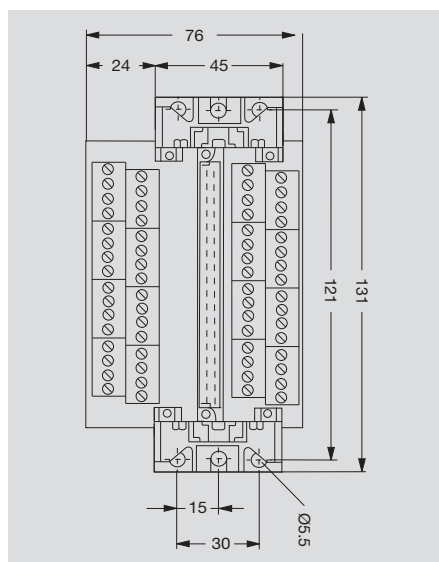
Grip white ZG 0128000000

Grip black ZG 0128060000

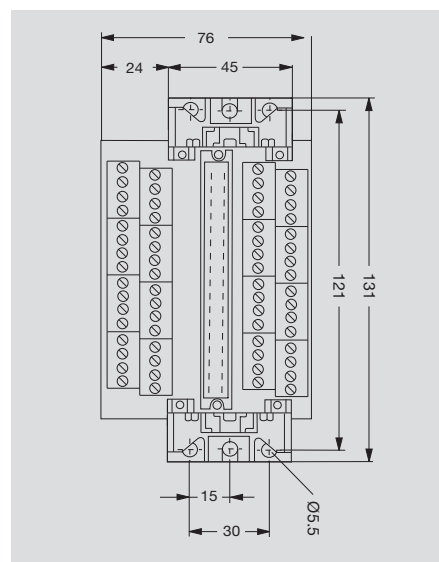
Mounting plate MP 2054280000

Mounting foot TS35 FM 0687900000

### SKH B64



### SKH C64



### Technical data

Connection data	
Connection on process side	PCB terminal LP2N
Stripping length	7.0 mm
Design/Contact complement	IEC603 B64 /a and b
Type	PCB locking 2 clips
Rated data	
Conversion PCB/plug connector	1:1
Rated voltage/Rated current per connection	125 V AC/ 150 V DC /2 A
Test voltage (~eff)/Test torque	0.5 kV/0.40 Nm
Storage temperature	-40 °C...+60 °C
Ambient temperature (operational)	0 °C...+55 °C
Terminal rail	TS 35 + direct assembly
Insulation coordination (EN 50178)	
Surge category/Pollution severity	III /2
Standards	EN 50178
Dimensions	
Clamping range (rating- / min. / max.)	mm <sup>2</sup> 2,5 / 0,5 / 4
Length x width x height	mm 76 x 131 x 144
Note	

PCB terminal LP2N	PCB terminal LP2N
7.0 mm	7.0 mm
IEC603 B64 /a and b	IEC603 C64 /a and c
PCB locking 2 clips	
1:1	1:1
125 V AC/ 150 V DC /2 A	125 V AC/ 150 V DC /2 A
0.5 kV/0.40 Nm	0.5 kV/0.40 Nm
-40 °C...+60 °C	-40 °C...+60 °C
0 °C...+55 °C	0 °C...+55 °C
TS 35 + direct assembly	TS 35 + direct assembly
III /2	III /2
EN 50178	EN 50178
mm <sup>2</sup> 2,5 / 0,5 / 4	2,5 / 0,5 / 4
mm 76 x 131 x 144	76 x 131 x 144
Note	

PCB terminal LP2N	PCB terminal LP2N
7.0 mm	7.0 mm
IEC603 C64 /a and c	
1:1	1:1
125 V AC/ 150 V DC /2 A	125 V AC/ 150 V DC /2 A
0.5 kV/0.40 Nm	0.5 kV/0.40 Nm
-40 °C...+60 °C	-40 °C...+60 °C
0 °C...+55 °C	0 °C...+55 °C
TS 35 + direct assembly	TS 35 + direct assembly
III /2	III /2
EN 50178	EN 50178
2,5 / 0,5 / 4	2,5 / 0,5 / 4
76 x 131 x 144	76 x 131 x 144
Note	

### Ordering data

Type	Qty.	Order No.
PCB locking 2 clips	1	0577360000
Note		
Mounting plate MP 2054280000 Mounting foot TS35 FM4 0687900000		

Type	Qty.	Order No.
SKH B64 RH2	1	0577360000
Note		
Mounting plate MP 2054280000 Mounting foot TS35 FM4 0687900000		

Type	Qty.	Order No.
SKH C64 RH2	1	0178960000
SKH C64 RH2	1	0646660000
Note		
Mounting plate MP 2054280000 Mounting foot TS35 FM4 0687900000		

**Card holders**

**19" Euro format**

- For inserting cards in Euro format 100 x 160 mm
- Converts IEC 603/DIN 41612 or DIN 41617 plug-in connectors to PCB connection elements
- Direct mounting or rail mounting on TS35 with accessories

**Accessories:**

Fixing plate HP 0137100000 (included in scope of supply)

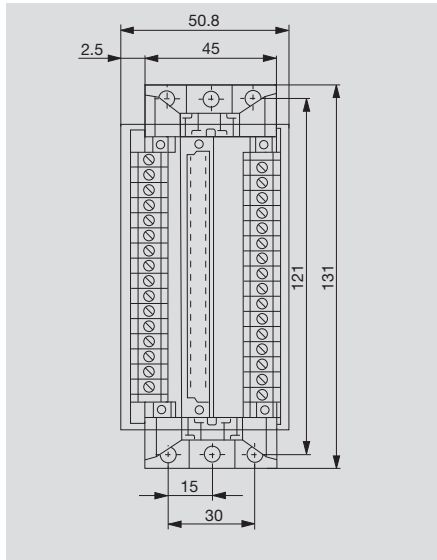
Grip white ZG 0128000000

Grip black ZG 0128060000

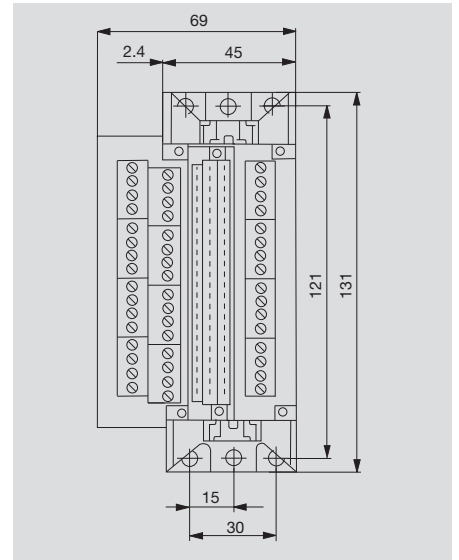
Mounting plate MP 2054280000

Mounting foot TS35 FM 0687900000

**SKH D32**



**SKH E48**



**Technical data**

**Connection data**

Connection on process side  
 Stripping length  
 Design/Contact complement  
 Type

**Rated data**

Conversion PCB/plug connector  
 Rated voltage/Rated current per connection  
 Test voltage (~eff)/Test torque  
 Storage temperature  
 Ambient temperature (operational)  
 Terminal rail

**Insulation coordination (EN 50178)**

Surge category/Pollution severity  
 Standards

**Dimensions**

Clamping range (rating- / min. / max.) mm<sup>2</sup>  
 Length x width x height mm

**Note**

PCB terminal LP 5.08  
 7.0 mm  
 IEC603 D32 /a and c  
 PCB locking 1 clip

1:1  
 250 V /6 A  
 2.0 kV/0.40 Nm  
 -40 °C...+60 °C  
 0 °C...+55 °C  
 TS 35 + direct assembly

III /2  
 EN 50178

2.5 / 0.5 / 4  
 50.8 x 131 x 144

PCB terminal LP2N  
 7.0 mm  
 IEC603 E48 /e, c, a  
 PCB locking 1 clip

1:1  
 125 V AC/ 150 V DC /5 A  
 1.3 kV/0.40 Nm  
 -40 °C...+60 °C  
 0 °C...+55 °C  
 TS 35 + direct assembly

III /2  
 EN 50178

2.5 / 0.5 / 4  
 69 x 131 x 144

**Ordering data**

PCB locking 1 clip

Type	Qty.	Order No.
SKH D32 LP 5/16 RH2	1	0586761001

Type	Qty.	Order No.
SKH E48 LP2/LP	1	0690660000

**Note**

Mounting plate MP 2054280000  
 Mounting foot TS35 FM4 0687900000

Mounting plate MP 2054280000  
 Mounting foot TS35 FM4 0687900000

### 19" Euro format

- For inserting cards in Euro format 100 x 160 mm
- Converts IEC 603/DIN 41612 or DIN 41617 plug-in connectors to PCB connection elements
- Direct mounting or rail mounting on TS35 with accessories

#### Accessories:

Fixing plate HP 0137100000 (included in scope of supply)

Grip white ZG 0128000000

Grip black ZG 0128060000

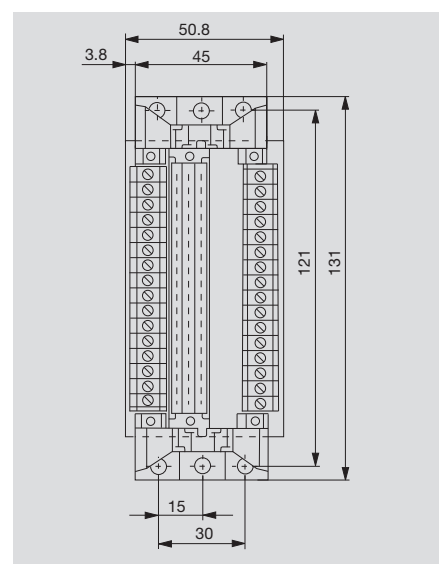
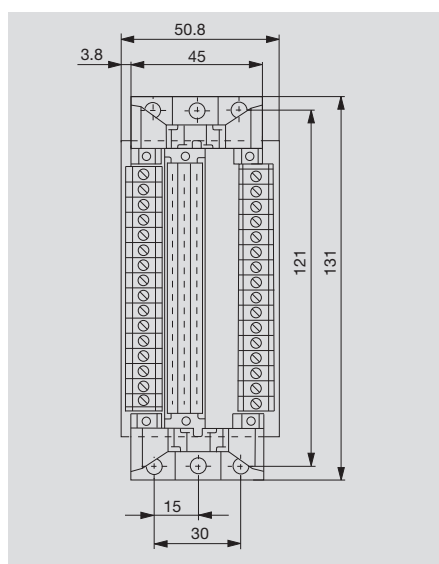
Mounting plate MP 2054280000

Mounting foot TS35 FM 0687900000

### SKH F32 Z&B



### SKH F32 Z&D



### Technical data

Connection data	
Connection on process side	
Stripping length	
Design/Contact complement	
Type	
Rated data	
Conversion PCB/plug connector	1:1
Rated voltage/Rated current per connection	250 V / 6 A
Test voltage (~eff)/Test torque	1.3 kV/0.40 Nm
Storage temperature	-40 °C...+60 °C
Ambient temperature (operational)	0 °C...+55 °C
Terminal rail	TS 35 + direct assembly
Insulation coordination (EN 50178)	
Surge category/Pollution severity	III / 2
Standards	EN 50178
Dimensions	
Clamping range (rating- / min. / max.)	mm <sup>2</sup> 2.5 / 0.5 / 4
Length x width x height	mm 50.8 x 131 x 144
Note	

PCB terminal LP 5.08	
7.0 mm	
IEC603 F32 /z and b	
PCB locking 1 clip	
1:1	
250 V / 6 A	
1.3 kV/0.40 Nm	
-40 °C...+60 °C	
0 °C...+55 °C	
TS 35 + direct assembly	
III / 2	
EN 50178	
2.5 / 0.5 / 4	
50.8 x 131 x 144	
Note	

PCB terminal LP 5.08	
7.0 mm	
IEC603 F32 /z and d	
PCB locking 1 clip	
1:1	
250 V / 6 A	
1.3 kV/0.40 Nm	
-40 °C...+60 °C	
0 °C...+55 °C	
TS 35 + direct assembly	
III / 2	
EN 50178	
2.5 / 0.5 / 4	
50.8 x 131 x 144	
Note	

### Ordering data

Type	Qty.	Order No.
PCB locking 1 clip	1	0586861001
<b>Note</b>		
Mounting plate MP 2054280000		
Mounting foot TS35 FM4 0687900000		

Type	Qty.	Order No.
SKH F32 (Z&B) LP RH2	1	0586861001
<b>Note</b>		
Mounting plate MP 2054280000		
Mounting foot TS35 FM4 0687900000		

Type	Qty.	Order No.
SKH F32 (Z&D) LP RH2	1	0586961001
<b>Note</b>		
Mounting plate MP 2054280000		
Mounting foot TS35 FM4 0687900000		

**Card holders**

**19" Euro format**

- For inserting cards in Euro format 100 x 160 mm
- Converts IEC 603/DIN 41612 or DIN 41617 plug-in connectors to PCB connection elements
- Direct mounting or rail mounting on TS35 with accessories

**Accessories:**

Fixing plate HP 0137100000 (included in scope of supply)

Grip white ZG 0128000000

Grip black ZG 0128060000

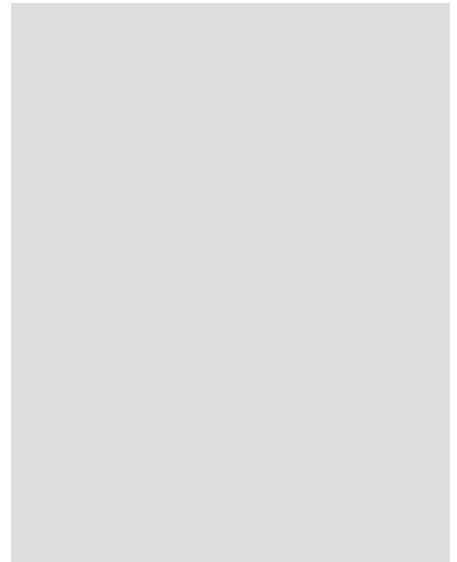
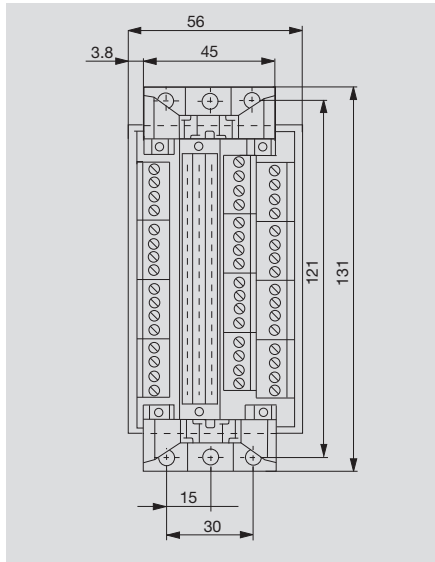
Mounting plate MP 2054280000

Mounting foot TS35 FM 0687900000

**SKH F48**



**SKH H15**



**Technical data**

Connection data		SKH F48		SKH H15	
Connection on process side		PCB terminal LP2N		PCB terminal LP 5.08	
Stripping length		7.0 mm		7.0 mm	
Design/Contact complement		IEC603 F48 /z, b, d		IEC603 H15 /	
Type		PCB locking 1 clip		PCB locking 1 clip	
Rated data		SKH F48		SKH H15	
Conversion PCB/plug connector		1:1		1:1	
Rated voltage/Rated current per connection		125 V AC/ 150 V DC /5 A		250 V /10 A	
Test voltage (~eff)/Test torque		1.3 kV/0.40 Nm		1.3 kV/0.40 Nm	
Storage temperature		-40 °C...+60 °C		-40 °C...+60 °C	
Ambient temperature (operational)		0 °C...+55 °C		0 °C...+55 °C	
Terminal rail		TS 35 + direct assembly		TS 35 + direct assembly	
Insulation coordination (EN 50178)		SKH F48		SKH H15	
Surge category/Pollution severity		III /2		III /2	
Standards		EN 50178		EN 50178	
Dimensions		SKH F48		SKH H15	
Clamping range (rating- / min. / max.)	mm <sup>2</sup>	2.5 / 0.5 / 4		2.5 / 0.5 / 4	
Length x width x height	mm	56 x 131 x 144		56 x 131 x 144	
Note		SKH F48		SKH H15	

**Ordering data**

	Type	Qty.	Order No.	Type	Qty.	Order No.
PCB locking 1 clip	SKH F48	1	0587060000	SKH H15S	1	8051300000
Note		SKH F48		SKH H15		
		Mounting plate MP 2054280000 Mounting foot TS35 FM4 0687900000		Mounting plate MP 2054280000 Mounting foot TS35 FM4 0687900000		