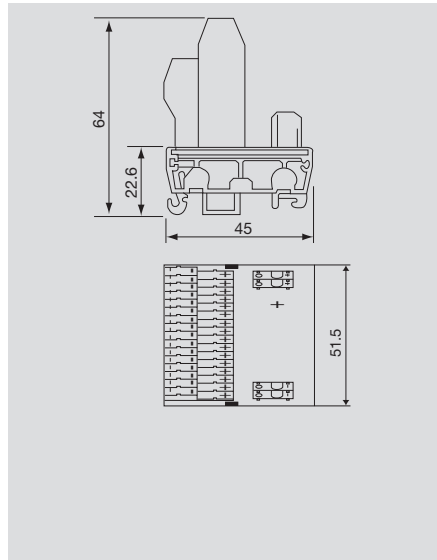


Supply voltage distributor modules

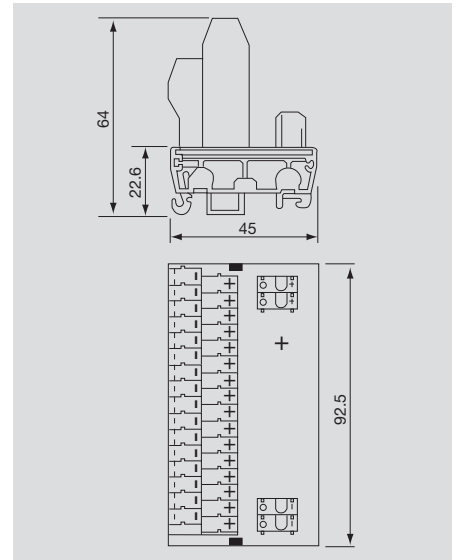
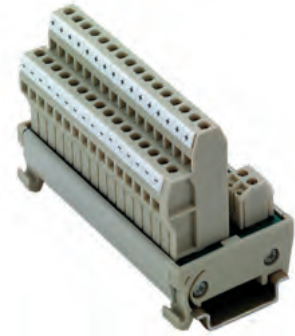
Supply voltage distributor modules

- Distribution module for 2 supply connections to 8 or 16 potential distribution terminals
- 45 mm wide
- Potential distributor designed as two level connection element
- Total current max. 10 A
- For mounting on rail TS35 x 7.5 and TS35 x 15

RS VERT 8 LPK2



RS VERT 16 LPK2



Technical data

Connection data

Connection on process side
Stripping length
Conversion PCB/plug connector

Rated data

Rated voltage
Total current feed, max.
Electrical distribution, plus/minus
Storage temperature
Ambient temperature (operational)
Housing/Terminal rail

Insulation coordination (EN 50178)

Surge category/Pollution severity

PCB terminal LPK 2

7.0 mm

8-way supply voltage distributor +/- / 2-pole feed

24 V AC/DC

10 A

+/- potential

-40 °C...+60 °C

0 °C...+55 °C

RS 45 section /TS 35

III /2

PCB terminal LPK 2

7.0 mm

16-way supply voltage distributor +/- / 2-pole feed

24 V AC/DC

10 A

+/- potential

-40 °C...+60 °C

0 °C...+55 °C

RS 45 section /TS 35

III /2

Dimensions

Clamping range (rating- / min. / max.)

mm²

Length x width x height

mm

Note

Ordering data

Type	Qty.	Order No.
RS VERT8 LPK2	1	8252010000

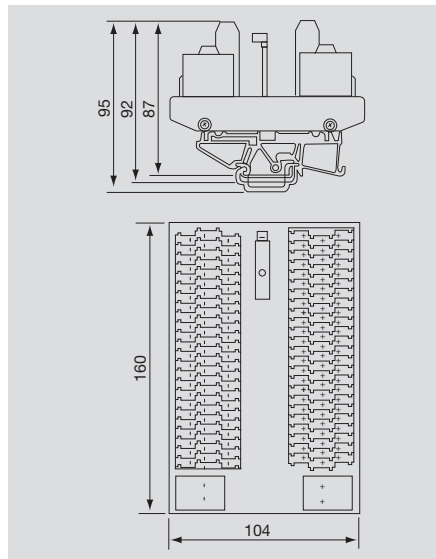
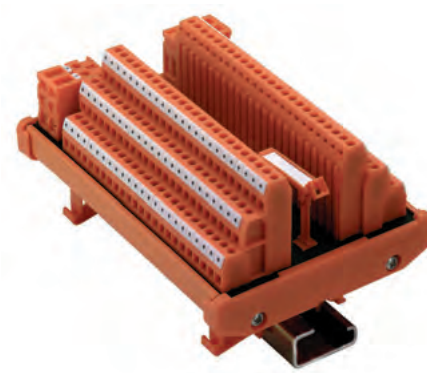
Type	Qty.	Order No.
RS VERT16 LPK2	1	8234620000

Note

Supply voltage distributor modules

- Distribution module for 2 supply connections to 72 potential distribution terminals
- Potential distributor designed as three level connection element
- Total current max. 20 A
- For mounting on rail TS 32/35

RS VERT 144 LPK3



Technical data

Connection data		PCB terminal LPK 3
Connection on process side		7.0 mm
Stripping length		72-way supply voltage distributor +/- / 2-pole feed
Conversion PCB/plug connector		
Rated data		
Rated voltage		250 V AC/DC
Total current feed, max.		20 A
Electrical distribution, plus/minus		+/- potential
Storage temperature		-40 °C...+60 °C
Ambient temperature (operational)		0 °C...+55 °C
Housing/Terminal rail		RS 100 section /TS 32, TS 35
Insulation coordination (EN 50178)		
Surge category/Pollution severity		III /2
Dimensions		
Clamping range (rating- / min. / max.)	mm²	1.5 / 0.5 / 2.5
Length x width x height	mm	104 x 160 x 87
Note		

Ordering data

Type	Qty.	Order No.
RS LPK3/144 VERT	1	8199510000
Note		

