

**CP-SNT 160W 3 Phase
Switchmode Power Supply**



The 3 phase CP-SNT 160W is a compact switchmode power supply that continues our tradition of more power from smaller packages.

Requiring just 58.4mm (2.3") of DIN rail, the CP-SNT 160W has the following features:

- 380-480VAC input 50/60Hz
- multiple output terminals
- input and output plug-socket connectors
- over current protection
- output status LED
- output voltage adjustment
- fault relay output (Form C)
- load sharing
- high outrush (surge) capability

Specifications

992534 0324 24Vdc @ 6.5A - 480Vac Input

Input Voltage	Minimum	342 Vac	
	Typical	480Vac	
	Maximum	528Vac	
Input Current	Minimum Vin	0.34A	
	Typical Vin	0.36A	
	Maximum Vin	0.43A	
Input Protection	Fuse	Yes	3 x T2A 250V
	Inrush Current	5.7A	Thermistor Limited
	Overvoltage	Varistor	
Switching Frequency		100kHz	
Output	Voltage Nominal	24Vdc	
	Voltage Adj. Range	22.5-28.5Vdc	
	Current nominal	6.5A	
	Current Surge	13A	
	Current Surge Time	1 sec	
	Surge Cycle Time	10 sec	
	Max. Load Capacitance	10,000µF	
Efficiency @ max. load	Typical Vin	83%	
	Typical Vin	1% (p-p) max.	
Maximum Ripple Regulation	Load (10 -100%)	3%	
	Line	0.50%	
Protection	Short Circuit	Yes	
	Over Voltage	Yes	
	Under Voltage	Yes	
	Over Temperature	No	
Hold Time	Minimum Vin	15mS	
	Typical Vin	50mS	
	Maximum Vin	70mS	
Temperature Range	Storage	-40 to 85 °C	
	Operating	-20 to 50 °C	Full Load Vertical 65°C
Humidity	Storage	20 to 90%	Non-condensing
	Operating	20 to 85%	Non-condensing
Galvanic Isolation	Input to Output	3KV	
	Input/Output to Rail	3KV	
	Input to Ground	1.5KV	
	Output to Ground	500V	
Wire Size	Input	26-12AWG	
	Output	26-12AWG	
	I/O	26-12AWG	
Dimensions (mm)	LxWxD	5.44 x 2.3 x 7 (138.2 x 58.4 x 177.8)	
Weight (kg)		2.2lbs (.993kg)	
Mounting		TS35 or Chassis	Chassis mountable with optional bracket part #7920560000
Special Features		Fault Relay	Form C, 125Vac and 30Vdc @ 1A rating
		Load sharing	Open loop
		Automatic Restart	Unit typically cycles 0.9s ON and 2.5s OFF.
Approvals/Certifications		CE, cULus Listed	

Output Voltage



Output

Adjustable via trimpot located on front cover, from 22.5 to 28.5Vdc

Surge

13A for 1 second

Unit will shutdown if surge exceeds 1 second

Overload

Automatic restart if overloaded. Unit restarts after approximately 4 seconds.

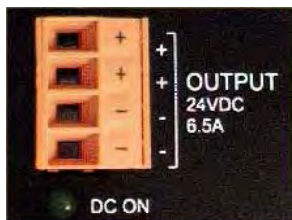
Relay Output



Contacts rated 30VDC 1A or 125VAC, 1A maximum, Form 'C' SPDT.

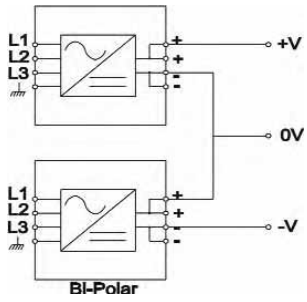
Relay is energized when power supply is operating under normal conditions.

Load Sharing

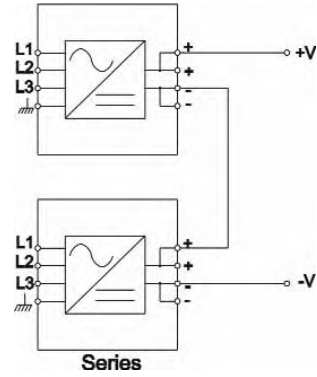
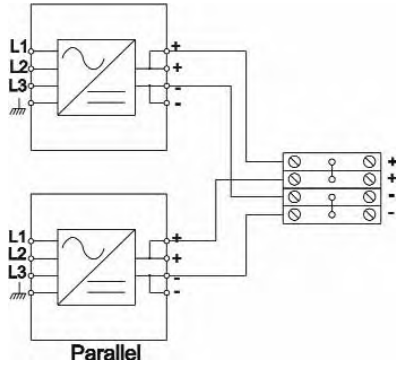


Maximum 2 units can be connected in parallel for load sharing. Derate supplies to 80% capacity (5.2A) when load sharing. Follow these directions for correct operation.

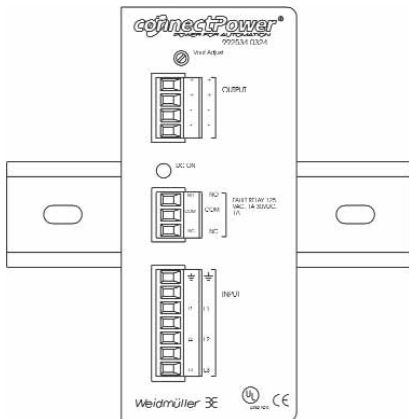
1. Adjust the output voltage of each power supply to the same value before connecting them in parallel ($\pm 200\text{mV}$).
2. Connect wires of the same length from each power supply to terminal blocks.
3. Connect the load(s) at these terminal blocks.



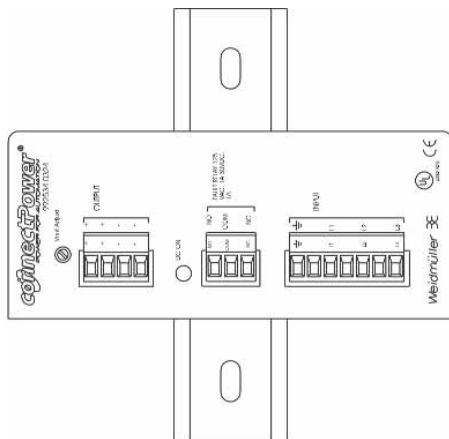
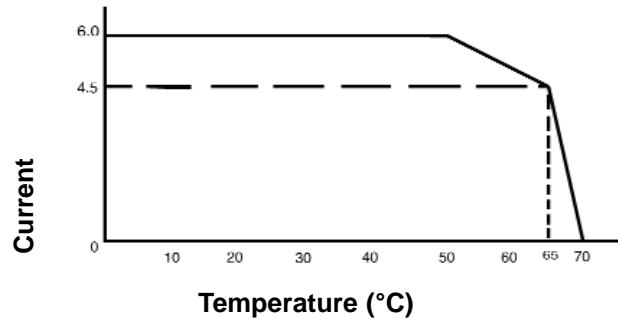
- \perp (earth) terminal should be connected to earth ground for safe operation.
- Outputs of power supplies can be connected in parallel.
- Outputs of power supplies can be connected in series.
- Outputs of power supplies can be connected to produce a bi-polar output.
- Power supply should be mounted allowing for natural air flow through the ventilation holes.



9925340324 Temperature Ratings



O/P Current	Temperature
6.5A	50°C
4.5A	65°C



O/P Current	Temperature
4.6A	50°C
2.5A	65°C

