

Modular distribution assembly system

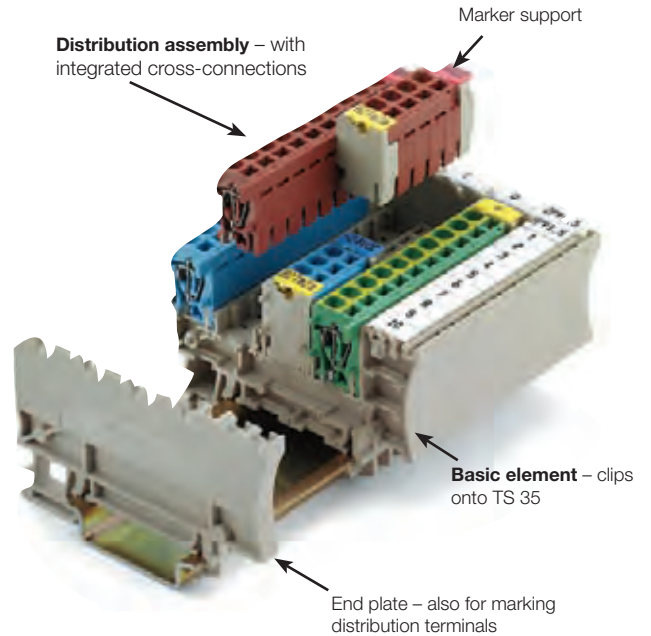
Distribution System

This modular system is based on the in-row individual modules of the distribution assembly with their integrated cross-connection.

The female contact is on one side, and the male contact on the other. The modular slice structure results in variable distribution assemblies depending on the application.

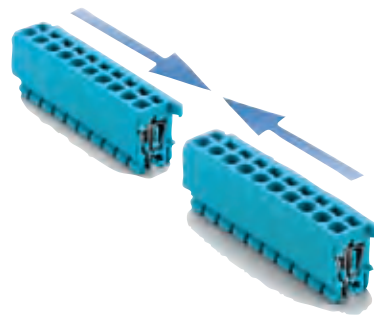
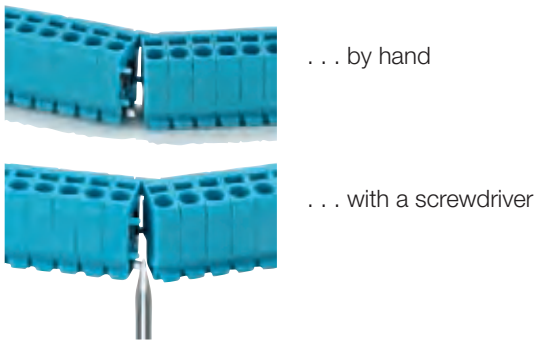
D The supports for these module combinations are the basic elements which simply clip onto TS-35 mounting rails. The basic elements are available in different versions:

- Simple support elements without electric function (ZPV 1.5)
- Basic elements for supplying initiators and actuators as 3- or 4-core connection

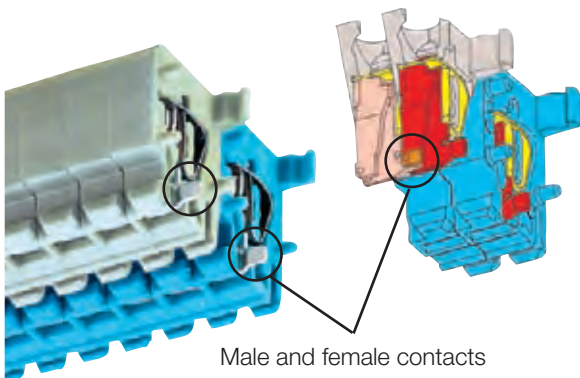


ZPV 1.5 – for easy assembly of variable pole numbers

- Easily separated
- Easily plugged into each other



- Integrated cross-connection
- Clips onto the basic elements by hand

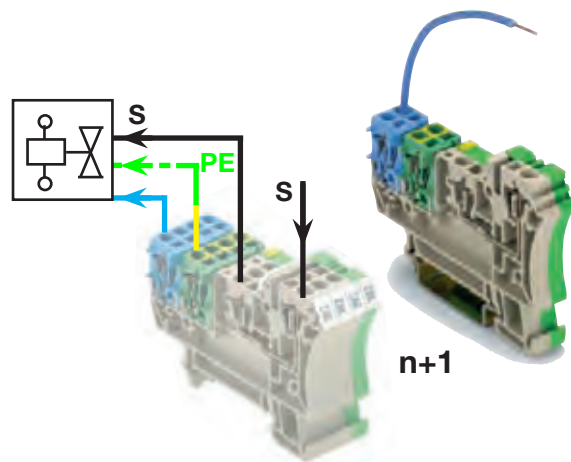
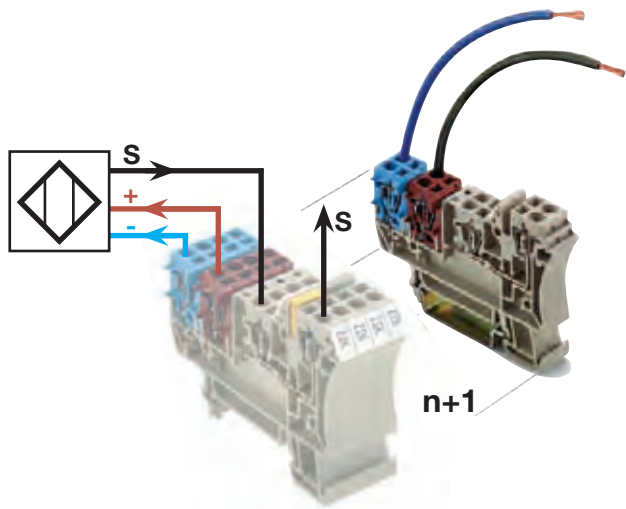


Supplying initiators and actuators

The modular distribution assembly is a convenient way of supplying power to initiators and actuators.

An additional basic element is used as a supply element which distributes the power to individual consumers across the cross-connected distribution terminals.

The control or information signal (S) is forwarded via the two clamping points of the basic elements. These can also be supplied optionally with an LED for status display.



Initiator supply

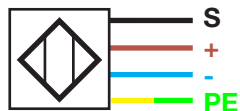
- via 1 additional standard basic element
- => n + 1 basic elements
- => n + 1 distribution assembly element for each circuit path (n = number of initiators)

Actuator supply

- via 1 additional standard basic element
- => n + 1 PE basic elements
- => n + 1 distribution assembly element for each circuit path (n = no. of actuators)

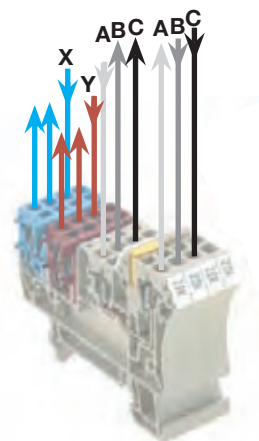
4-core basic elements are used for initiator supply with additional PE connection; these can take 3 distribution terminals.

For design reasons, the PE basic element is always positioned on the left at the beginning of a terminal series, and is only required once.



Or:
**Combined feed-through terminal (A, B, C)
 and potential distribution terminal (X, Y)**

Distribution assembly elements without male and female contacts and cross-connections for the feed-through terminal part make possible a great many different wiring solutions.



Weidmüller

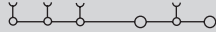
ZIA 1.5/4 L...

1.5 mm²

Base element 4-wire



5.1 x 81.5 x 46
/ 2.5
0.13...2.5



IEC 60947-7-1

IEC	UL	CSA
250	300	300
17.5	10	10
1.5	AWG 26...14	AWG 26...14
4 / 3		
A1 / V-0		

Rated connection	
0.5...2.5	0.5...2.5
0.5...2.5 / 0.5...1.5	0.5...2.5 / 0.5...1.5
8 / 0.6 x 3.5 mm	8 / 0.6 x 3.5 mm

Bi-directional LED in ZIA 1.5/4L-1/LD (1652020000)

Type	Qty	Order No.
ZIA 1.5/4L-1S	100	1652010000
ZIA 1.5/4L-1S/LD	50	1652020000
ZIA 1.5/4L-PE	20	1652030000
Type	Qty	Order No.
ZVL 1.5	100	1649300000
ZVL 1.5 BR	100	1650370000
ZVL 1.5 BL	100	1650360000
ZVL 1.5/PE GN/GE BED	100	1651970000
ZVL 1.5 O.QV	100	1711930000
ZVL 1.5 O.QV = distribution strip without internal bridge for park position		

Type	current	Qty	Order No.
ZQV 2.5/2	24 A	60	1608860000
ZQV 2.5/3	24 A	60	1608870000
ZQV 2.5/4	24 A	60	1608880000
ZQV 2.5/10	24 A	20	1608940000
ZQV 2.5/50	24 A	10	1697540000
Width			
ZAP/TWZIA1.5/4L	5.1 mm	50	1649550000
SD 0.6x3.5x100		1	9008330000
Width			
ZRH 1.5N/1		1000	1632140000
ZRH 1.5N/2		1000	1632130000

DEK 5/5

ZVL 1.5

1.5 mm²

Distribution strip



5.1 x 12.9 x 17.4
/ 2.5
0.13...2.5



IEC 60947-7-1

IEC	UL	CSA
250	300	300
17.5	10	10
1.5	AWG 26...14	AWG 26...14
4 / 3		
A2 / V-0		

Rated connection	
0.5...2.5	0.5...2.5
0.5...2.5 / 0.5...1.5	0.5...2.5 / 0.5...1.5
7 / 0.6 x 3.5 mm	7 / 0.6 x 3.5 mm

Type	Qty	Order No.
Type	Qty	Order No.
ZVL 1.5	100	1649300000
ZVL 1.5 BR	100	1650370000
ZVL 1.5 BL	100	1650360000
ZVL 1.5/PE GN/GE BED	100	1651970000
ZVL 1.5 O.QV	100	1711930000
ZVL 1.5 O.QV = distribution strip without internal bridge for park position		

Type	Qty	Order No.
Type	Qty	Order No.
SD 0.6x3.5x100	1	9008330000
Width		
ZRH 1.5N/1	1000	1632140000
ZRH 1.5N/2	1000	1632130000

DEK 5/5

Integral cross-connections.
Distributor strip for base element ZPV 1.5 order No. 1676630000

