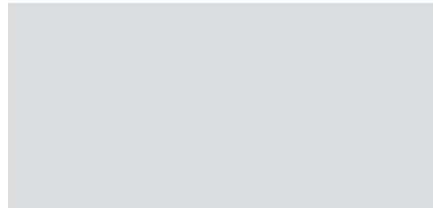
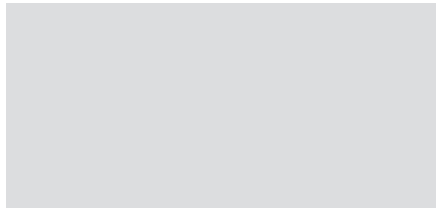


## USB configuration interface

### CBX200

- Configuration Interface with galvanic isolation
- USB port for PC
- TX and RX status displays
- WI-Manager and TTA Set configuration software programs: download at [www.weidmueller.com](http://www.weidmueller.com)

### CBX200 USB



The CBX200 USB is a USB2.0/RS232-interface converter with galvanic isolation. It has additional functionality for controlling and supplying the connected RS232 device. The CBX200 USB makes it possible to configure the intrinsically safe ACT20X product line and the WAVE TTA signal converter. The CBX200 USB is not compatible with the CBX100 USB.

### Technical data

Input	
Type	USB 2.0 (USB type A plug)
Input current	≤ 100 mA
Input resistance	22 kΩ
Input voltage	1.6 ... 5.6 V
Output	
Type	RS232 (4-pole 2.5 mm jack plug)
Output voltage	3.3 V regulated
Output current	3 A
Level on interfaces	1.8...5.6 V (automatically adapted)
Baud rate	≤ 115 kBd
Activation signal	9...15 V typ. 12 V / 4 mA
Insulation coordination	
Insulation voltage	2.5 kV (input / output)

### Table for selecting a configuration adapter

Product	CBX100	CBX200
ACT20X		X
WAVE TTA	X	X
ITX+	X	

### Pin assignments for jack plug



DTR*	Vcc
0	3.3 V
1	0 V

Control input	RTS*	RS232 interface
12 V	1	active
12 V	0	active
0 V	1	active
0 V	0	not active

\* RTS and DTR are internal control signals

### Installation notes

The power supply to the device comes from the USB port via a USB type-A plug. The output-side of the RS232 interface uses a four-pole 2.5 mm jack plug to connect. This jack plug is also capable of activating the RS232 interface when needed with a 12-V control voltage. With the assistance of the DTM, the USB interface is diverted to a COM interface. The RS232 interface can be activated with an RTS signal (RTS = 1 → output activated) via the diverted COM interface. The jack plug is also capable of supplying the RS232 node with a regulated voltage of 3.3 V at 4 mA current. The DTR signal (DTR = 0 → supply activated) is used for control. It is also possible to query the status using the DSR signal (DSR = 0 → output activated).

The "WI-Manager" software, the "TTA Set" and the DTM library can all be downloaded free of charge from [www.Weidmüller.com](http://www.Weidmüller.com).

Note

### Ordering data

Connection system	Type	Qty.	Order No.
	CBX200 USB	1	8978580000

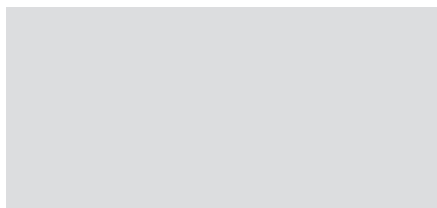
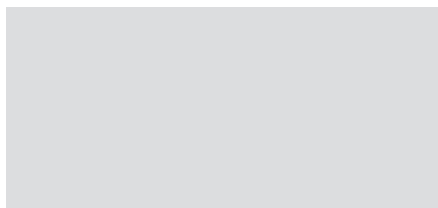
Note

### Accessories

**CBX100**

- Configuration interface
- USB port for PC
- Tx and Rx status displays
- Configuration software (T-Set) can be downloaded at [www.weidmueller.com](http://www.weidmueller.com)!

**CBX100 USB**



**Technical data**

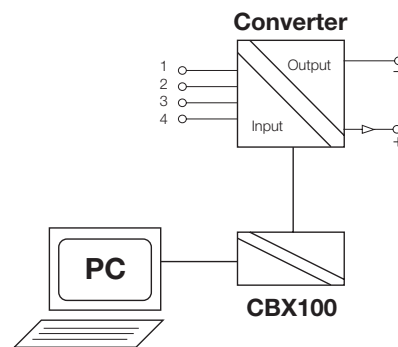
<b>Display</b>
Status indicator
<b>General data</b>
Insulation voltage
Ambient temperature / Storage temperature
Humidity
Approvals

LED (send / receive)
500 V for 60 s
-20 °C...+70 °C / -25 °C...+70 °C
10...90 % (no condensation)
cULus; CE

**Table for selecting a configuration adapter**

Product	CBX100	CBX200
ACT20X		X
WAVE TTA	X	X
ITX+	X	

**Wiring diagram**



Note

**Ordering data**

Connection system
-------------------

Type	Qty.	Order No.
CBX100USB	1	7940025031

Note

**Accessories**