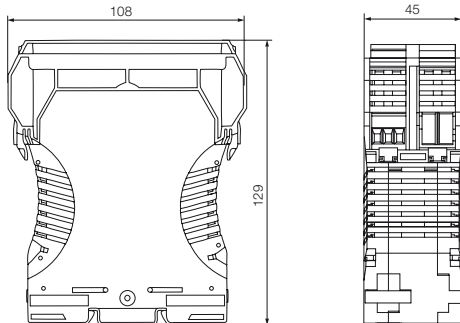


Switches with management functions

WaveLine Managed Switches

- Compact plastic housing in IP20
- For mounting on TS 35
- IEEE 802.3x / 802.3 / 802.4 standard

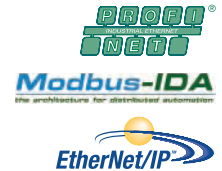


WaveLine Managed Switches

Note

Our product line of managed switches has now also been extended to our WaveLine. With its six copper and two optional FO ports, our WaveLine is the perfect introduction for industrial applications. The optional FO ports - with SC, LC or ST connectors - offer disturbance-free transmissions of up to 2km. Our managed switches support many features:

- Auto-negotiation
- Redundant power supply
- Programmable error relay for PLC support
- SNMP V1
- Rapid Ring™
- RSTP 802.3w
- IGMP snooping
- Querier
- Port mirroring
- Port filtering
- Port setup functionality
- VLAN
- QoS
- TOS
- Diffserv
- MAC-based trunking
- Auto-crossover / Auto-polarity
- Auto-polarity
- Filtering and forwarding table
- Operational earthing
- Configuration via console (USB) or integrated web server



Ordering data

Number of ports

- 6 x RJ45, 1 x USB, 2 x SC multi-mode
- 6 x RJ45, 1 x USB, 2 x SC single-mode
- 6 x RJ45, 1 x USB, 2 x ST multi-mode
- 6 x RJ45, 1 x USB, 2 x LC multi-mode
- 6 x RJ45, 1 x USB, 2 x SCRJ multi-mode
- 8 x RJ45, 1 x USB

Note

Type	Order No.
IE-SW6/2SC-1300-M-WAVE	8943790000
IE-SW6/2SCS-1300-M-WAVE	1067880000
IE-SW6/2ST-1300-M-WAVE	8943800000
IE-SW6/2LC-1300-M-WAVE	8943820000
IE-SW6/2SCRJ-650-M-WAVE	8943810000
IE-SW8-M-WAVE	8943780000

Accessories

- RJ45 dust-protection plug
- markers

Note

Type	Order No.
IE-DPC	8813490000
WS 15/5 MC NEUTRAL	1609880000

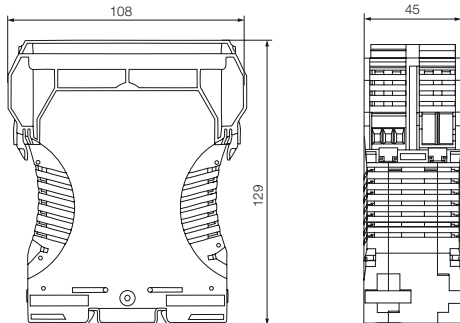
Cables and connection elements are found starting at Chapter C.

Technical data

Housing	Plastic
Length / Width / Height	108 mm / 45 mm / 127.8 mm
AC input voltage, min.-max.	10-24 V AC
DC input voltage, min.-max.	10-35 V DC
AC input power / DC	5 VA AC / 5 W DC
Input frequency	47 - 63 Hz
Operating temperature, min.-max.	-40 °C-70 °C
Storage temperature, min.-max.	-40 °C-85 °C
Installation	TS 35
Protection class	IP 20
Standard	IEEE 802.3; 802.3u; 802.3x
Data rate	10 Base-T/100 Base-TX (copper) 100 Base-FX (fiber)
Segment length	Copper 100 m; fiber (multimode) 2 km; fiber (single mode) 20 km
Functionality	Auto-negotiation; programmable error relay; redundant power supply
Flow control	HD (backpressure) / FD (pause)
Status indication	Data rate, Power, Temperature monitoring, Connection/Activity
Buffer memory	2 x 256 Kbyte per 8 ports
Address memory	4 K MAC addresses per 8 ports
Approvals	cULus, Class I, Division 2, CE, EN55024, EN 55022, Gost R, GL
Aging	300 s
Optical budget	8 dB for 62.5/125 µm multi-mode 4 dB for 50/125 µm multi-mode 13 dB for 9/125 µm single-mode cable
Supported protocols	Profinet RT, Modbus TCP, TCP/IP, Ethernet/IP
Fault relay	max. 24 V / 30mA
Note:	GL is pending

WaveLine managed switch IOs

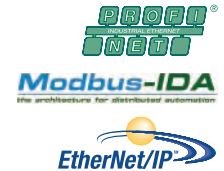
- Compact plastic housing in IP20
- For mounting on TS 35
- IEEE 802.3x / 802.3 / 802.4 standard



WaveLine managed switch IOs

Note
 Our product line of managed switches has now also been extended to our WaveLine. With its six copper and two optional FO ports, our WaveLine is the perfect introduction for industrial applications. The optional FO ports - with SC, LC or ST connectors - offer disturbance-free transmissions of up to 2km. Our managed switches support many features:

- Auto-negotiation
- Redundant power supply
- Programmable error relay for PLC support
- SNMP V1
- Rapid Ring™
- RSTP 802.3w
- IGMP snooping
- Querier
- Port mirroring
- Port filtering
- Port setup functionality
- VLAN
- QoS
- TOS
- Diffserv
- MAC-based trunking
- Auto-crossover / Auto-polarity
- Auto-polarity
- Filtering and forwarding table
- Functional earth
- Configuration via console (USB) or integrated web server



Ordering data

Number of ports
6 x RJ45, 1 x USB, 2 x SC multi-mode
6 x RJ45, 1 x USB, 2 x SC single-mode
6 x RJ45, 1 x USB, 2 x ST multi-mode
6 x RJ45, 1 x USB, 2 x SCRJ multi-mode
8 x RJ45, 1 x USB

Note

Accessories

Type	Order No.
IE-SW6/2SC2DIO-M-WAVE	8972580000
IE-SW6/2SCS2DIO-M-WAVE	1067870000
IE-SW6/2ST2DIO-M-WAVE	8972600000
IE-SW6/2SCRJ2DIO-M-WAVE	8972590000
IE-SW8-2DIO-M-WAVE	8972570000

Note

Technical data

Type	Order No.
RJ45 dust-protection plug markers	8813490000
WS 15/5 MC NEUTRAL	1609880000

Note
 Cables and connection elements are found starting at Chapter C.

Housing	plastic
Length / Width / Height	108 mm / 45 mm / 127.8 mm
AC input voltage, min.-max.	10-24 V AC
DC input voltage, min.-max.	10-35 V DC
AC input power / DC	5 VA AC / 5 W DC
Input frequency	47 - 63 Hz
Operating temperature, min.-max.	-40 °C-70 °C
Storage temperature, min.-max.	-40 °C-85 °C
Installation	TS35
Protection class	IP 20
Standard	IEEE 802.3; 802.3u; 802.3x
Data rate	10 Base-T/100 Base-TX (copper) 100 Base-FX (fiber)
Segment length	Copper 100 m; fiber (multimode) 2 km; fiber (single mode) 20 km
Functionality	Auto-negotiation; programmable error relay; redundant power supply
Flow control	HD (backpressure) / FD (pause)
Status indication	Data rate, Power, Temperature monitoring, Connection/Activity
Buffer memory	2 x 256 Kbyte per 8 ports
Address memory	4 K MAC addresses per 8 ports
Approvals	cULus, Class I, Division 2, CE, EN55024, EN 55022, Gost R, GL
Aging	300 s
Optical budget	8 dB for 62.5/125 µm multi-mode 4 dB for 50/125 µm multi-mode 13 dB for 9/125 µm single-mode cable
Supported protocols	Profinet RT, Modbus TCP, TCP/IP, EthernetIP
Fault relay	max. 24 V / 30mA
Digital input	2 x 24V DC
Digital output	2 x 30mA
Note:	GL is pending