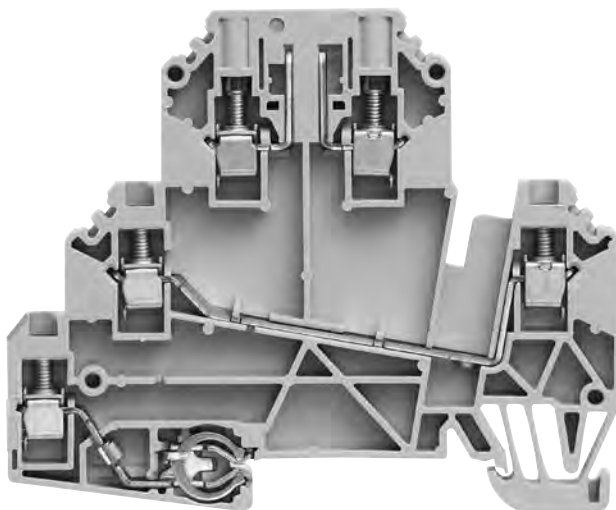


Modular Terminal Blocks Double-Tier Terminal Block for space saving DCS marshalling WDK 2.5 DU PE TR

NEW



The new WDK 2.5 DU PE TR multiple level terminal blocks are designed to reduce cabinet space and increase functionality in signal-loop circuit installations. By connecting the signal wire to the upper level, the neutral to the lower level and the shield to the integrated PE contact, a signal loop can be connected to just one terminal.

The unique integrated PE contact also eliminates the need for a separate PE terminal block and reduces needed cabinet space. At only 5.1mm wide, the new WDK 2.5 DU PE TR is one of the highest wiring density solutions in screw-clamp termination for DCS marshalling or PLC applications.

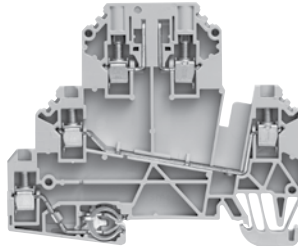
In addition, the upper level can accommodate a disconnect lever (TNST) or pluggable fuse holder (SIHA) for certain applications.

- For use as disconnect in upper level please order disconnect plug TNST, 1833090000.
- For use as fuse block with 5x20 glass fuse in the upper level please order SIHA, 7921560000.

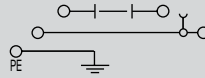
Weidmüller 

Feed-through Terminals

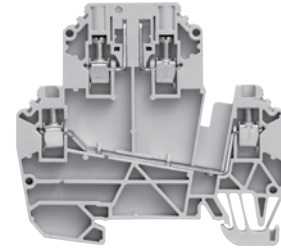
WDK 2.5/TR-DU-PE 2.5mm²



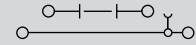
5.1 x 80.5 x 66
24 A / 4
0.5 ... 4



WDK 2.5/TR-DU 2.5mm²



5.1 x 72.5 x 66
24 A / 4
0.5 ... 4



In hazardous area applications, the installation instructions and the rated data specifications for accessories given in the technical appendix must be followed.

Width / Length / Height with TS35x7.5 mm
max. current / max. cond. cross-section A / mm²
Max. clamping range mm²

Technical data

Rated data	
Rated voltage	V
Rated current	A
Rated cross-section	mm ²
Rated impulse voltage / Pollution severity	kV/-
Gauge to IEC 60947-1 / UL94 Flammability class	
Approvals	
Clamped conductors (H05V/H07V)	
Solid / stranded	mm ²
Flexible / stranded wire with end ferrules	mm ²
Tightening torque range (clamping screw)	
Stripping length / Blade size	mm/-
Note	

Ordering data

	Dark beige Wemid
	Dark beige Wemid
	Dark beige Wemid
	Dark beige Wemid
Note	

Accessories

Screwable cross-connection	
	2-pole
	3-pole
	4-pole
	10-pole
End plate / partition	
	Dark beige Wemid
End bracket	
	Dark beige Wemid
Screwdriver	
	Standard
Fuse holder	
Component plug	
Disconnect plug	

Marking systems (see assortment in catalog 7)	
	Marking tags
For detailed information on other accessories and applications, refer to the "Accessories" section	

IEC	UL	CSA	EN 60079-7
690	300	300	
24	20	20	
2.5	AWG 30...12	AWG 30...12	
8 / 3			
A2 / V-0			

Rated connection

0.5...4 / 0.5...2.5	
0.5...2.5 / 0.5...2.5	
0.4...0.6 Nm (M2.5)	
10 / 0.6 x 3.5	
For use as disconnect use accessory TNST for upper level. For use as fuse block use accessory SIHA for upper level.	

Type	Qty.	Part No.
WDK 2.5/TR-DU-PE	50	1247420000
WDK 2.5/TR-DU-PE STB	50	1247430000
WDK 2.5/TR-DU-PE/o TNHE	50	1833640000
WDK 2.5/TR-DU-PE/o TNHE StB	50	1833670000

Type	current [A]	Qty.	Part No.
WQV 2.5/2	50	50	1053660000
WQV 2.5/3	50	50	1053760000
WQV 2.5/4	50	50	1053860000
WQV 2.5/10	50	50	1054460000
Width [mm]			
WAP WDK 2.5N/TR-DU	2	20	1839850000
Width [mm]			
WEW 35/2	8	20	1061200000
SD 0.6x3.5x100		1	9008330000
SIHA 3/G20/LD 140-250V	25	25	7921600000
SIHA 3/G20	25	25	7921560000
SIHA 3/G20/LD 10-36V	25	25	7921570000
BEST/D	50	50	1878560000
BEST	50	50	1833100000
BEST/DRBR	50	50	1878570000
TNST	50	50	1833090000

Type	Qty	Part No.
DEK 5/5	1000	1609801044

IEC	UL	CSA	EN 60079-7
690	300	300	
24	20	20	
2.5	AWG 30...12	AWG 30...12	
8 / 3			
A2 / V-0			

Rated connection

0.5...4 / 0.5...2.5	
0.5...2.5 / 0.5...2.5	
0.4...0.6 Nm (M2.5)	
10 / 0.6 x 3.5	
For use as disconnect use accessory TNST for upper level. For use as fuse block use accessory SIHA for upper level.	

Type	Qty.	Part No.
WDK 2.5/TR-DU	50	1247290000
WDK 2.5/TR-DU STB	50	1247310000
WDK 2.5/TR-DU/o TNHE	50	1833600000
WDK 2.5/TR-DU/o TNHE StB	50	1833610000

Type	current [A]	Qty.	Part No.
WQV 2.5/2	50	50	1053660000
WQV 2.5/3	50	50	1053760000
WQV 2.5/4	50	50	1053860000
WQV 2.5/10	50	50	1054460000
Width [mm]			
WAP WDK 2.5N/TR-DU	2	20	1839850000
Width [mm]			
WEW 35/2	8	20	1061200000
SD 0.6x3.5x100		1	9008330000
SIHA 3/G20/LD 140-250V	25	25	7921600000
SIHA 3/G20	25	25	7921560000
SIHA 3/G20/LD 10-36V	25	25	7921570000
BEST/D	50	50	1878560000
BEST	50	50	1833100000
BEST/DRBR	50	50	1878570000
TNST	50	50	1833090000

Type	Qty	Part No.
DEK 5/5	1000	1609801044