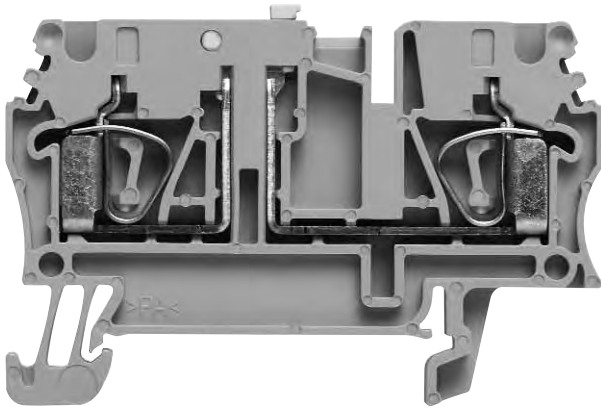


## Disconnect Terminals with Tension Clamp Technology ZTR 2.5

**NEW**



Disconnect test terminals are specially designed for test and measurement tasks. Electrical circuits can be disconnected from the supply by means of their disconnect lever: an advantage for quick troubleshooting.

The new ZTR terminals are now equipped with even more functionalities. The disconnect lever area allows you to carry out the disconnection by means of either the lever or a pull pin (TNST).

ZQV 2.5 pluggable cross-connections enable time and cost-saving feed-through of potentials to adjacent terminals. System accessories increase the range of possible applications: for example the fuse holder SIHA is all that is needed to create a fuse terminal. The component plug holder (BEST) converts the ZTR into a component terminal. The integrated test point for 2.3 mm test plugs guarantee continued readings of potentials.

# Disconnect terminals

## ZTR 2.5

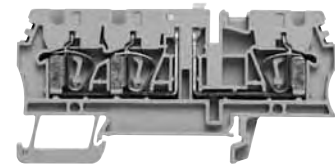
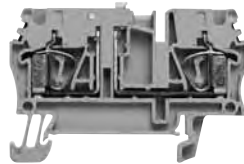
2.5 mm<sup>2</sup>

## ZTR 2.5/3AN

2.5 mm<sup>2</sup>

Two connections

Three connections

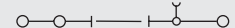


**Width/Length/Height w. TS35x7.5** mm  
 Max. current / max. cond. cross-section A/mm<sup>2</sup>  
 Max. clamping range mm<sup>2</sup>

**5.1 x 59.5 x 41.5**  
**20 / 4**  
**0.05 ... 4**



**5.1 x 79.5 x 41.5**  
**20 / 4**  
**0.05 ... 4**



### Technical data

Rated data	
Rated voltage feed through terminal	V
Rated current	A
Rated cross-section	AWG
Rated impulse voltage / Pollution severity	kV/-
Plug gauge IEC 60-947-1 / flammability class acc. UL94	
Approvals	

IEC 60947-7-1 / VDE 0100-537

IEC	UL	CSA	EN 50019
500	600	600	
20	20	20	
2.5 mm <sup>2</sup>	30 ... 12	30 ... 12	
6 / 3			
A3 / V-0			



### Clampable conductors (H05V/H07V)

Solid / stranded	mm <sup>2</sup>
Flexible / flexible w. wire end ferrule	mm <sup>2</sup>
Tightening torque range clamping screw	Nm
Stripping length/ blade size	mm / -

### Rated connection

0.5...4
0.5...4 / 0.5...2.5
10 / 0.6 x 3.5

IEC 60947-7-1 / VDE 0100-537

IEC	UL	CSA	EN 50019
500	600	600	
20	20	20	
2.5 mm <sup>2</sup>	30 ... 12	30 ... 12	
6 / 3			
A3 / V-0			



### Rated connection

0.5...4
0.5...4 / 0.5...2.5
10 / 0.6 x 3.5

### Information

### Ordering data

Version	
	dark beige Wemid
	blue Wemid
	orange Wemid
	Without disconnecter, dark beige Wemid

Type	Qty.	Part No.
ZTR 2.5	100	1831280000
ZTR 2.5 BL	100	8731710000
ZTR 2.5 OR	100	8731680000
ZTR 2.5/O. TNHE	100	1831130000

Type	Qty.	Part No.
ZTR 2.5/3AN	100	8731720000
ZTR 2.5/3AN BL	100	8731730000
ZTR 2.5/3AN OR	100	8731690000
ZTR 2.5/3AN/O. TNHE	100	8728450000

### Information

### Accessories

Cross-connection, pluggable	
	2-pole
	3-pole
	4-pole
	10-pole



(ZQV 2.5N/4)

Type	Current [A]	Qty.	Part No.
ZQV 2.5/2	24	60	1608860000
ZQV 2.5/3	24	60	1608870000
ZQV 2.5/4	24	60	1608880000
ZQV 2.5/10	24	20	1608940000

Type	Current [A]	Qty.	Part No.
ZQV 2.5/2	24	60	1608860000
ZQV 2.5/3	24	60	1608870000
ZQV 2.5/4	24	60	1608880000
ZQV 2.5/10	24	20	1608940000

### End plate / partition

End plate	dark beige Wemid
	blue Wemid

Width [mm]			
ZAP/TW 1	2	50	1608740000
ZAP/TW 1 BL	2	50	1608750000

Width [mm]			
ZAP/TW 3	2	50	1608800000
ZAP/TW 3 BL	2	50	1608810000

### End bracket

	dark beige PA
--	---------------

Width [mm]			
ZEW	6	20	9540000000

Width [mm]			
ZEW	6	20	9540000000

### Screwdriver

	Standard version
--	------------------

SD 0.6X3.5X100	10	9008330000
----------------	----	------------

SD 0.6X3.5X100	10	9008330000
----------------	----	------------

### Test adapter/Test plug

	Test adapter standard version
	With spigot
	Test plug diameter 2.3 mm

ZTA 1	25	1609040000
ZTA 1/ZA	25	1609050000
PS 2.3 RT	20	0180400000

ZTA 1	25	1609040000
ZTA 1/ZA	25	1609050000
PS 2.3 RT	20	0180400000

### Holder for fuse cartridges 5 x 20mm

	400V ac/dc. without LED
	10 - 36V ac/dc. red LED
	140 - 250V ac/dc. red LED

SIHA 3/G20	25	7921560000
SIHA 3/G20/LD 10-36V	25	7921570000
SIHA 3/G20/LD 140-250V	25	7921600000

SIHA 3/G20	25	7921560000
SIHA 3/G20/LD 10-36V	25	7921570000
SIHA 3/G20/LD 140-250V	25	7921600000

### Component plug (up to 250V)

reversible	standard
	with wire bridge
	with diode 1N4007

BEST	25	1833100000
BEST/DRBR	25	1878570000
BEST/D	25	1878560000

BEST	25	1833100000
BEST/DRBR	25	1878570000
BEST/D	25	1878560000

### Isolating plug

	yellow Wemid
--	--------------

TNST	25	1833090000
------	----	------------

TNST	25	1833090000
------	----	------------

### Marking systems

	Tags
--	------

DEK 5 / WS 10/5
-----------------

DEK 5 / WS 10/5
-----------------