


ARIA SERIES

Features

- The range is available in seven sizes, ranging from 12" x 8" to 40" x 32".
- The cabinets are made of beige (RAL 7032) hot molded fiberglass reinforced polyester, dyed in mass. The enclosure is furnished with four threaded studs and bolts for mounting plate or mounting frame installation.
- The enclosure provides double insulation  and a protection degree of **IP66-9** following IEC 529 and CENELEC EN 60529 UL/CSA listed NEMA 4X.
- Temperature resistance: -58°F to +302°F (-50°C to +150°C), momentary +392°F (200°C)
- Self extinguishing and halogen-free.
- Cabinets are maintenance free and corrosion resistant.
- Optimum seals are obtained by the use of molded-in channels in conjunction with seamless foamed polyurethane or neoprene gaskets.

Applications

Contoured body provides an attractive and contemporary appearance. Enclosures can be used as insulated electrical junction boxes, terminal wiring boxes, instrument housings and as housings for electrical controls in wet, dusty and corrosive environments.



Standards

IEC 439-1
 IEC 529 Rated IP66-9
 EN 60439-1
 EN 60529

Approvals



UL types 3, 3R, 3S, 4, 4X, 12 and 13 per UL 508

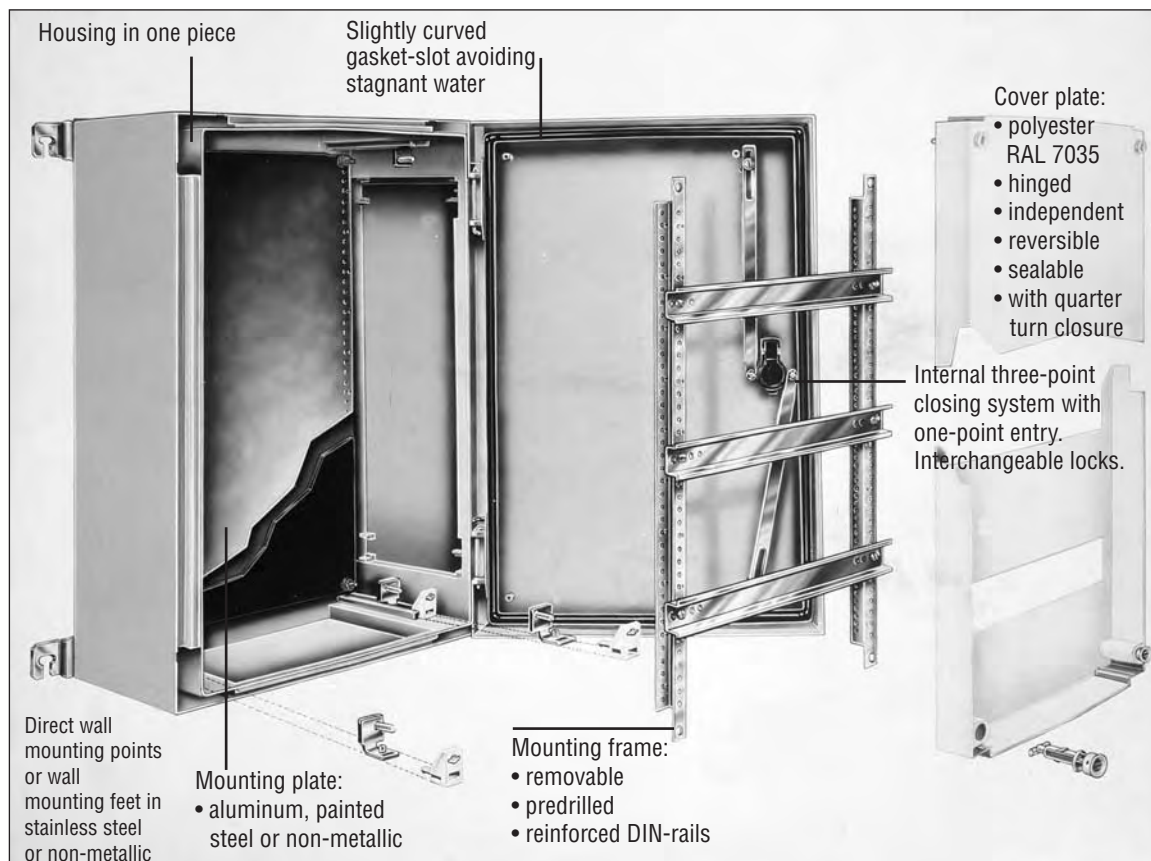


CSA types 2, 3, 3R, 3S, 4 4X, 12 and 13



AS 3132 - 1991

RoHS European Union



FRP NEMA rating 3, 3R, 4, 4X, 12 & 13 Aria Series with 1/4 turn Handle Opening



FEATURES

- Available in seven sizes
- Internal three-point closing system with one-point entry
- Padlockable latches available
- Integrated rain shield
- Temperature resistance -58°F to +302°F (-50°C to +150°C)
Momentary to +392°F (200°C)
- Seamless, polyurethane gasket in molded door edge channel

ACCESSORIES

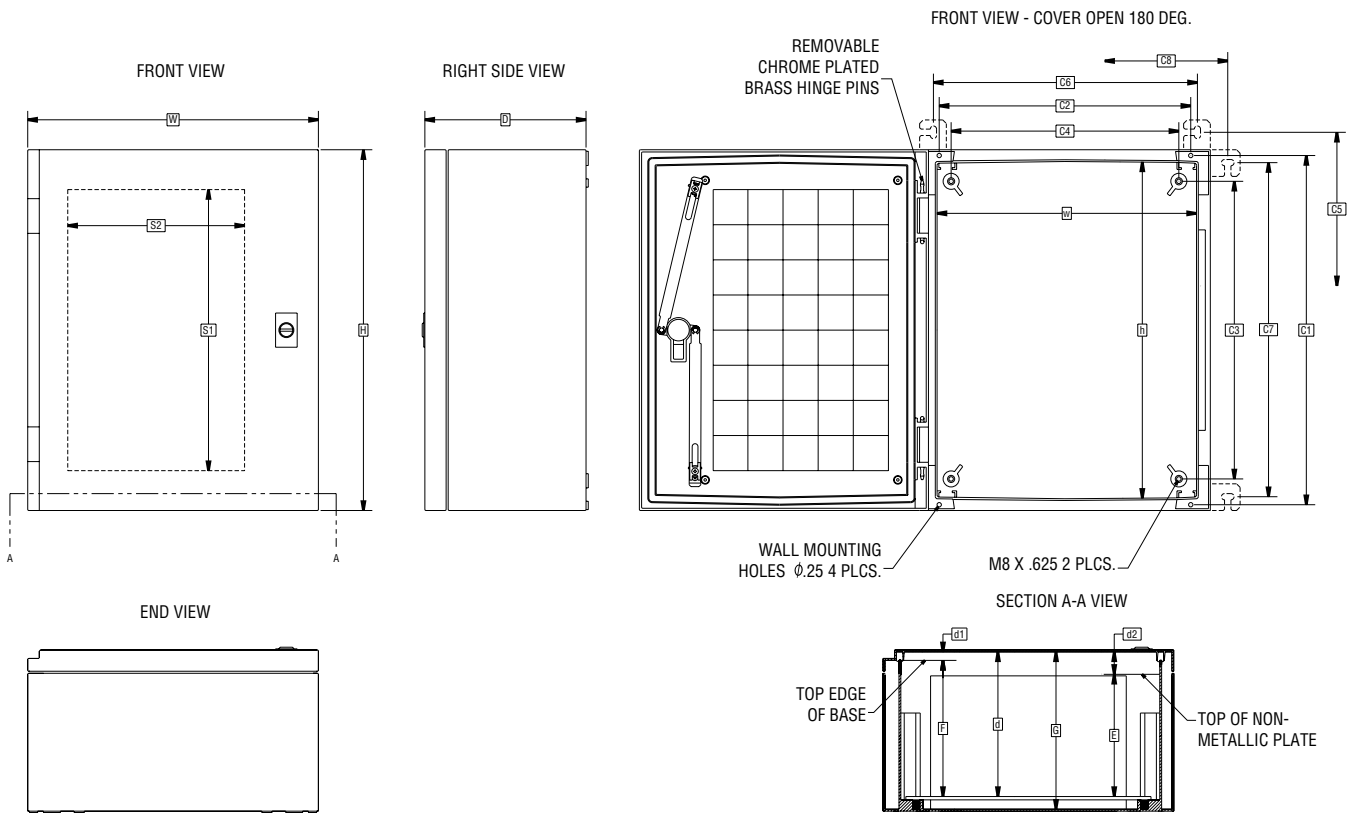
- Din rails
- Handles
- Key-lock cylinders
- Air vents

ARIA SERIES

Part Number	Outside Dimensions			Inside Dimensions			Weight	Part Numbers Back Plates**				Front Plates**	
	H	W	D	h	w	d		Aluminum	Steel	Non-Metallic	Dimensions	Non-Metallic	Aluminum
AN1208* (mm)	12.40 (315)	8.46 (215)	6.69 (170)	10.83 (275)	6.69 (170)	5.83 (148)	5.25 lb 2.4 kg	ABP1208A	ABP1208S	ABP1208N	9.84 x 5.91 (250 x 150)	AFP1208N	AFP1208A
AN1612* (mm)	16.34 (415)	12.40 (315)	6.69 (170)	14.76 (375)	10.63 (270)	5.83 (148)	8.12 lb 3.7 kg	ABP1612A	ABP1612S	ABP1612N	13.78 x 9.84 (350 x 250)	AFP1612N	AFP1612A
AN2016 (mm)	20.28 (515)	16.34 (415)	9.06 (230)	18.70 (475)	14.57 (370)	8.11 (206)	14.13 lb 6.4 kg	ABP2016A	ABP2016S	ABP2016N	17.72 x 13.78 (450 x 350)	AFP2016N	AFP2016A
AN2416 (mm)	24.21 (615)	16.34 (415)	9.06 (230)	22.64 (575)	14.57 (370)	8.11 (206)	16.11 lb 7.3 kg	ABP2416A	ABP2416S	ABP2416N	21.65 x 13.78 (550 x 350)	AFP2416N	AFP2416A
AN2820 (mm)	28.94 (735)	21.06 (535)	10.63 (270)	26.57 (675)	18.50 (470)	9.68 (246)	26.23 lb 11.9 kg	ABP2820A	ABP2820S	ABP2820N	25.98 x 17.72 (660 x 450)	AFP2820N	AFP2820A
AN3325 (mm)	32.87 (835)	25.00 (635)	11.81 (300)	30.51 (775)	22.44 (570)	10.86 (276)	35.76 lb 16.2 kg	ABP3325A	ABP3325S	ABP3325N	29.53 x 21.65 (750 x 550)	AFP3325N	AFP3325A
AN4032 (mm)	40.75 (1035)	32.87 (835)	11.81 (300)	38.39 (975)	30.31 (770)	10.86 (276)	51.00 lb 23.1 kg	ABP4032A	ABP4032S	ABP4032N	37.40 x 29.53 (950 x 750)	AFP4032N	AFP4032A

* Indicates Single Point Closing System
Add Suffix "HKL" for Keylock Handle

** A aluminum back panel (.080" material thickness)
S painted steel back panel (.060" material thickness)
N non-metallic back panel (.187" material thickness)



ARIA	AN1208		AN1612		AN2016		AN2416		AN2820		AN3325		AN4032		
	(in.)	(mm)	(in.)	(mm)	(in.)	(mm)	(in.)	(mm)	(in.)	(mm)	(in.)	(mm)	(in.)	(mm)	
Outside Dimension	H	12.40	315	16.34	415	20.28	515	24.21	615	28.94	735	32.87	835	40.75	1035
	W	8.46	215	12.40	315	16.34	415	16.34	415	21.06	535	25.00	635	32.87	835
	D	6.69	170	6.69	170	9.06	230	9.06	230	10.63	270	11.81	300	11.81	300
Inside Dimension	h	10.82	275	14.76	375	18.70	475	22.64	575	26.57	675	30.51	775	38.39	975
	w	6.69	170	10.63	270	14.57	370	14.57	370	18.50	470	22.44	570	30.31	770
	d	5.83	148	5.83	148	8.11	206	8.11	206	9.68	246	10.86	276	10.86	276
Weight	(lbs)	5.25		8.12	206	14.13	359	16.11	409	26.23	666	35.76	908	51	1295
User Space (door)	S1	7.75	197	10.00	254	14.00	356	18.00	457	22.00	559	26.00	660	33.75	857
	S2	5.25	133	9.25	235	13.00	330	13.00	330	16.75	425	21.00	533	27.25	692
	S3	7.75	197	11.75	298	15.25	387	19.00	483	23.00	584	27.00	686	34.00	864
	S4	2.75	70	5.25	133	9.25	235	9.25	235	13.00	330	17.25	438	25.00	635
User Depth Spaces	d1	0.50	13	0.35	9	0.35	9	0.35	9	0.50	13	0.35	9	0.55	14
	d2	1.35	34	1.20	30	1.17	30	1.17	30	1.65	42	1.50	38	1.65	42
Mounting Hole Centers	E	4.60	117	4.55	116	6.87	174	6.87	174	8.10	206	9.25	235	9.30	236
	F	5.40	137	5.40	137	7.70	196	7.70	196	9.25	235	10.45	265	10.45	265
	G	6.38	162	6.38	162	8.72	221	8.72	221	10.30	262	11.48	292	11.48	292
Viewed Window	C1	11.61	295	15.55	395	19.49	495	23.43	595	-	-	-	-	-	-
	C2	6.10	155	10.04	255	13.98	355	13.98	355	-	-	-	-	-	-
	C3	8.86	225	12.80	325	16.73	425	20.67	525	24.61	625	28.54	725	36.42	925
	C4	4.92	125	8.86	225	12.80	325	12.80	325	16.73	425	20.67	525	28.54	725
	C5	14.25	362	18.19	462	22.13	562	26.06	662	30.79	782	34.72	882	42.60	1082
	C6	6.38	162	10.31	262	14.25	362	14.25	362	18.97	482	22.91	582	30.78	782
	C7	10.31	262	14.25	362	18.19	462	22.13	562	26.85	682	30.78	782	38.66	982
	C8	10.31	262	14.25	362	18.19	462	18.19	462	22.91	582	26.85	682	34.72	882
Viewed Window	V1	-	-	-	-	-	-	-	-	-	-	-	-	-	-
Viewed Window	V2	-	-	-	-	-	-	-	-	-	-	-	-	-	-

NOTE: - Millimeters

FRP NEMA rating 3, 3R, 4, 4X, 12 & 13 ARIA Series with 2 Padlockable Latches



FEATURES

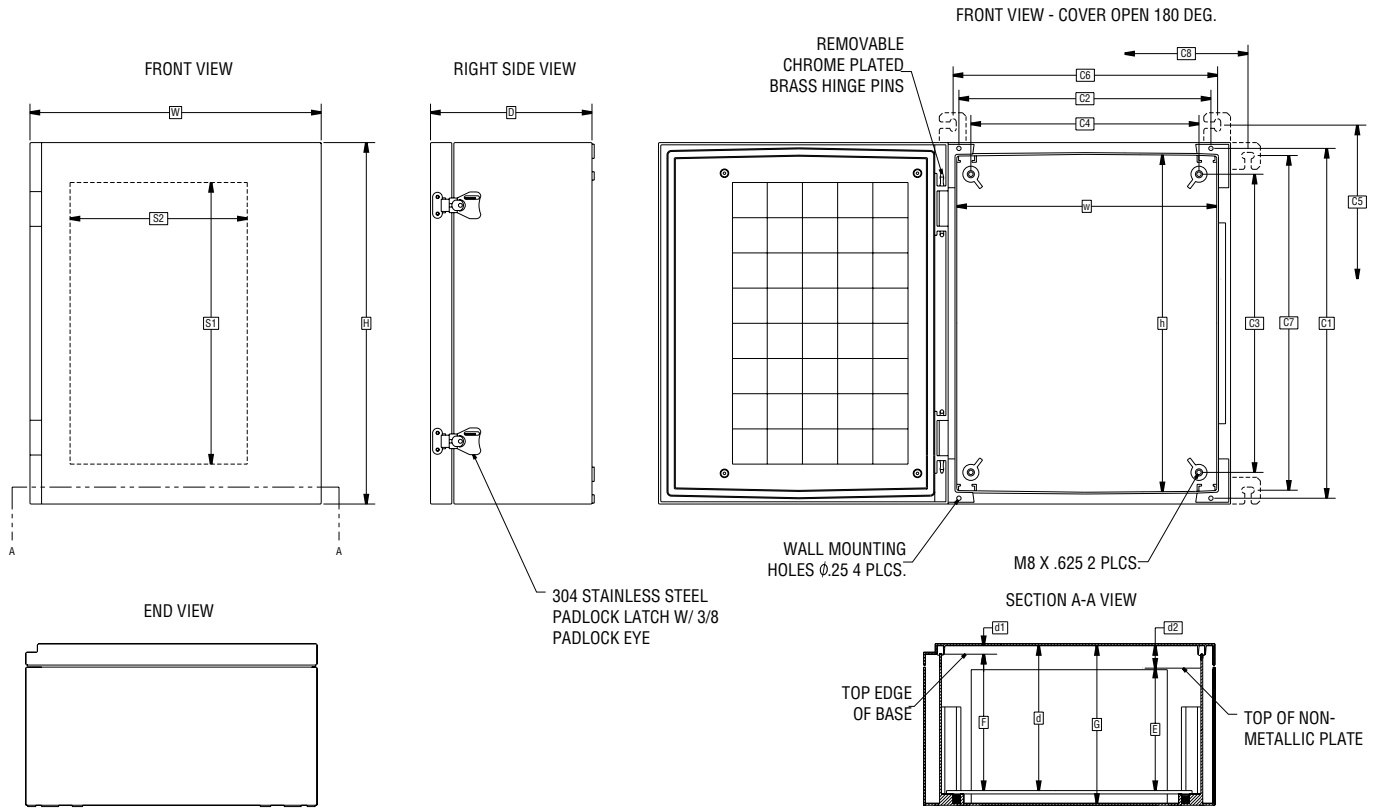
- Available in seven sizes
- Internal three-point closing system with one-point entry
- Padlockable latches available
- Integrated rain shield
- Temperature resistance -58°F to +302°F (-50°C to +150°C)
Momentary to +392°F (200°C)
- Seamless, polyurethane gasket in molded door edge channel
- Window area made of Lexan sealed with neoprene gasket

ACCESSORIES

- Din rails
- Handles
- Key-lock cylinders
- Air vents

Part Number	Outside Dimensions			Inside Dimensions			Weight	Part Numbers Back Plates*				Front Plates*	
	H	W	D	h	w	d		Aluminum	Steel	Non-Metallic	Dimensions	Non-Metallic	Aluminum
AN1208PL (mm)	12.40 (315)	8.46 (215)	6.69 (170)	10.83 (275)	6.69 (170)	5.83 (148)	5.25 lb 2.4 kg	ABP1208A	ABP1208S	ABP1208N	9.84 x 5.91 (250 x 150)	AFP1208N	AFP1208A
AN1612PL (mm)	16.34 (415)	12.40 (315)	6.69 (170)	14.76 (375)	10.63 (270)	5.83 (148)	8.12 lb 3.7 kg	ABP1612A	ABP1612S	ABP1612N	13.78 x 9.84 (350 x 250)	AFP1612N	AFP1612A
AN2016PL (mm)	20.28 (515)	16.34 (415)	9.06 (230)	18.70 (475)	14.57 (370)	8.11 (206)	14.13 lb 6.4 kg	ABP2016A	ABP2016S	ABP2016N	17.72 x 13.78 (450 x 350)	AFP2016N	AFP2016A
AN2416PL (mm)	24.21 (615)	16.34 (415)	9.06 (230)	22.64 (575)	14.57 (370)	8.11 (206)	16.11 lb 7.3 kg	ABP2416A	ABP2416S	ABP2416N	21.65 x 13.78 (550 x 350)	AFP2416N	AFP2416A
AN2820PL (mm)	28.94 (735)	21.06 (535)	10.63 (270)	26.57 (675)	18.50 (470)	9.68 (246)	26.23 lb 11.9 kg	ABP2820A	ABP2820S	ABP2820N	25.98 x 17.72 (660 x 450)	AFP2820N	AFP2820A
AN3325PL (mm)	32.87 (835)	25.00 (635)	11.81 (300)	30.51 (775)	22.44 (570)	10.86 (276)	35.76 lb 16.2 kg	ABP3325A	ABP3325S	ABP3325N	29.53 x 21.65 (750 x 550)	AFP3325N	AFP3325A
AN4032PL (mm)	40.75 (1035)	32.87 (835)	11.81 (300)	38.39 (975)	30.31 (770)	10.86 (276)	51.00 lb 23.1 kg	ABP4032A	ABP4032S	ABP4032N	37.40 x 29.53 (950 x 750)	AFP4032N	AFP4032A

- * A aluminum back panel (.080" material thickness)
 S painted steel back panel (.060" material thickness)
 N non-metallic back panel (.187" material thickness)



ARIA	AN1208		AN1612		AN2016		AN2416		AN2820		AN3325		AN4032		
		(in.)	(mm)	(in.)	(mm)	(in.)	(mm)	(in.)	(mm)	(in.)	(mm)	(in.)	(mm)	(in.)	(mm)
Outside Dimension	H	12.40	315	16.34	415	20.28	515	24.21	615	28.94	735	32.87	835	40.75	1035
	W	8.46	215	12.40	315	16.34	415	16.34	415	21.06	535	25.00	635	32.87	835
	D	6.69	170	6.69	170	9.06	230	9.06	230	10.63	270	11.81	300	11.81	300
Inside Dimension	h	10.82	275	14.76	375	18.70	475	22.64	575	26.57	675	30.51	775	38.39	975
	w	6.69	170	10.63	270	14.57	370	14.57	370	18.50	470	22.44	570	30.31	770
	d	5.83	148	5.83	148	8.11	206	8.11	206	9.68	246	10.86	276	10.86	276
Weight	(lbs)	5.25		8.12	206	14.13	359	16.11	409	26.23	666	35.76	908	51	1295
User Space	S1	7.75	197	10.00	254	14.00	356	18.00	457	22.00	559	26.00	660	33.75	857
	S2	5.25	133	9.25	235	13.00	330	13.00	330	16.75	425	21.00	533	27.25	692
	S3	7.75	197	11.75	298	15.25	387	19.00	483	23.00	584	27.00	686	34.00	864
	S4	2.75	70	5.25	133	9.25	235	9.25	235	13.00	330	17.25	438	25.00	635
User Depth Spaces	d1	0.50	13	0.35	9	0.35	9	0.35	9	0.50	13	0.35	9	0.55	14
	d2	1.35	34	1.20	30	1.17	30	1.17	30	1.65	42	1.50	38	1.65	42
	E	4.60	117	4.55	116	6.87	174	6.87	174	8.10	206	9.25	235	9.30	236
	F	5.40	137	5.40	137	7.70	196	7.70	196	9.25	235	10.45	265	10.45	265
	G	6.38	162	6.38	162	8.72	221	8.72	221	10.30	262	11.48	292	11.48	292
Mounting Hole Centers	C1	11.61	295	15.55	395	19.49	495	23.43	595	-	-	-	-	-	-
	C2	6.10	155	10.04	255	13.98	355	13.98	355	-	-	-	-	-	-
	C3	8.86	225	12.80	325	16.73	425	20.67	525	24.61	625	28.54	725	36.42	925
	C4	4.92	125	8.86	225	12.80	325	12.80	325	16.73	425	20.67	525	28.54	725
	C5	14.25	362	18.19	462	22.13	562	26.06	662	30.79	782	34.72	882	42.60	1082
	C6	6.38	162	10.31	262	14.25	362	14.25	362	18.97	482	22.91	582	30.78	782
	C7	10.31	262	14.25	362	18.19	462	22.13	562	26.85	682	30.78	782	38.66	982
	C8	10.31	262	14.25	362	18.19	462	18.19	462	22.91	582	26.85	682	34.72	882
Viewed Window	V1	-	-	-	-	-	-	-	-	-	-	-	-	-	-
	V2	-	-	-	-	-	-	-	-	-	-	-	-	-	-

NOTE: - Millimeters

FRP NEMA rating 3, 3R, 12 & 13 ARIA Series Gasketed Windows with 1/4 turn Handle Opening



FEATURES

- Available in seven sizes
- Internal three-point closing system with one-point entry
- Padlockable latches available
- Integrated rain shield
- Temperature resistance -58°F to +302°F (-50°C to +150°C)
Momentary to +392°F (200°C)
- Seamless, polyurethane gasket in molded door edge channel
- Window area made of Lexan sealed with neoprene gasket

ACCESSORIES

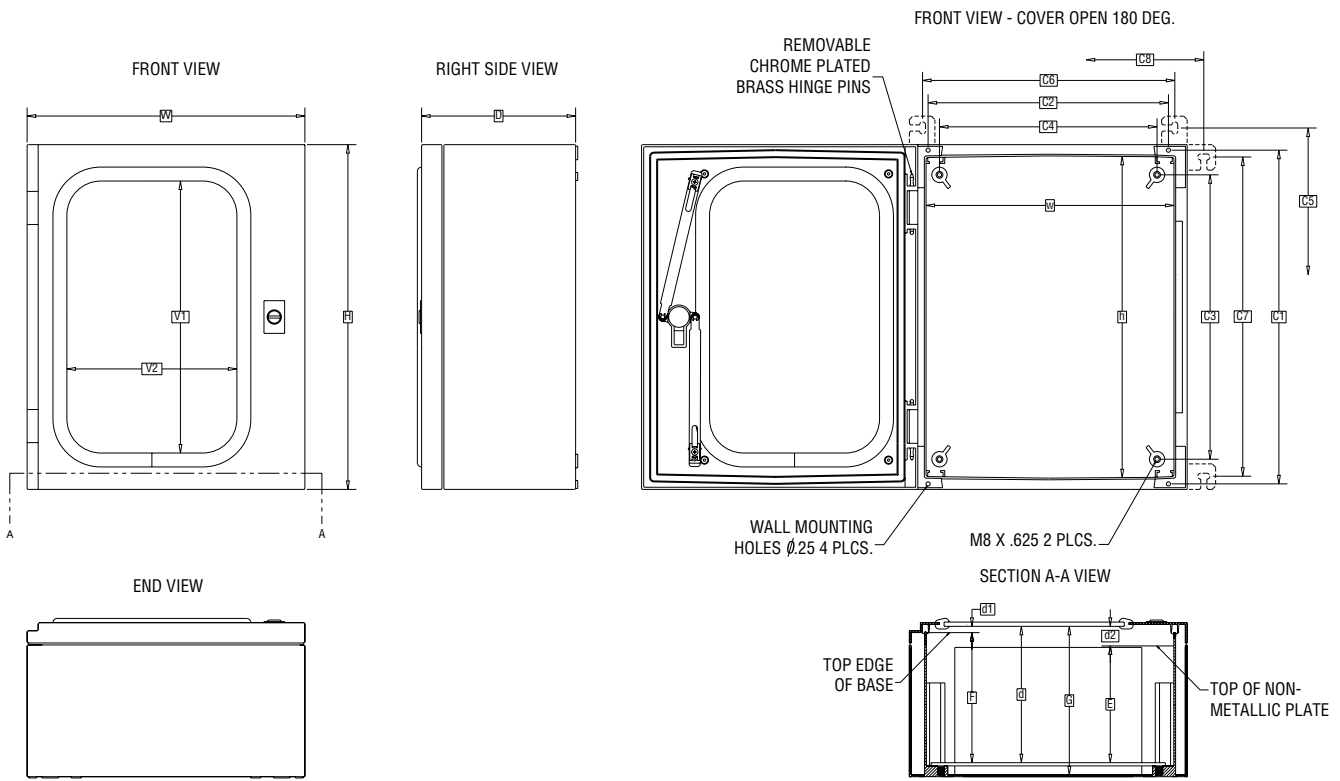
- Din rails
- Handles
- Key-lock cylinders
- Air vents

ARIA SERIES

Part Number	Outside Dimensions			Inside Dimensions			Weight	Part Numbers Back Plates**				Front Plates**	
	H	W	D	h	w	d		Aluminum	Steel	Non-Metallic	Dimensions	Non-Metallic	Aluminum
ANG1208* (mm)	12.40 (315)	8.46 (215)	6.69 (170)	10.83 (275)	6.69 (170)	5.83 (148)	5.25 lb 2.4 kg	ABP1208A	ABP1208S	ABP1208N	9.84 x 5.91 (250 x 150)	AFP1208N	AFP1208A
ANG1612* (mm)	16.34 (415)	12.40 (315)	6.69 (170)	14.76 (375)	10.63 (270)	5.83 (148)	8.12 lb 3.7 kg	ABP1612A	ABP1612S	ABP1612N	13.78 x 9.84 (350 x 250)	AFP1612N	AFP1612A
ANG2016 (mm)	20.28 (515)	16.34 (415)	9.06 (230)	18.70 (475)	14.57 (370)	8.11 (206)	14.13 lb 6.4 kg	ABP2016A	ABP2016S	ABP2016N	17.72 x 13.78 (450 x 350)	AFP2016N	AFP2016A
ANG2416 (mm)	24.21 (615)	16.34 (415)	9.06 (230)	22.64 (575)	14.57 (370)	8.11 (206)	16.11 lb 7.3 kg	ABP2416A	ABP2416S	ABP2416N	21.65 x 13.78 (550 x 350)	AFP2416N	AFP2416A
ANG2820 (mm)	28.94 (735)	21.06 (535)	10.63 (270)	26.57 (675)	18.50 (470)	9.68 (246)	26.23 lb 11.9 kg	ABP2820A	ABP2820S	ABP2820N	25.98 x 17.72 (660 x 450)	AFP2820N	AFP2820A
ANG3325 (mm)	32.87 (835)	25.00 (635)	11.81 (300)	30.51 (775)	22.44 (570)	10.86 (276)	35.76 lb 16.2 kg	ABP3325A	ABP3325S	ABP3325N	29.53 x 21.65 (750 x 550)	AFP3325N	AFP3325A
ANG4032 (mm)	40.75 (1035)	32.87 (835)	11.81 (300)	38.39 (975)	30.31 (770)	10.86 (276)	51.00 lb 23.1 kg	ABP4032A	ABP4032S	ABP4032N	37.40 x 29.53 (950 x 750)	AFP4032N	AFP4032A

* Indicates Single Point Closing System
Add Suffix "HKL" for Keylock Handle

** A aluminum back panel (.080" material thickness)
S painted steel back panel (.060" material thickness)
N non-metallic back panel (.187" material thickness)



ARIA	AN1208		AN1612		AN2016		AN2416		AN2820		AN3325		AN4032		
		(in.)	(mm)	(in.)	(mm)	(in.)	(mm)	(in.)	(mm)	(in.)	(mm)	(in.)	(mm)	(in.)	(mm)
Outside Dimension	H	12.40	315	16.34	415	20.28	515	24.21	615	28.94	735	32.87	835	40.75	1035
	W	8.46	215	12.40	315	16.34	415	16.34	415	21.06	535	25.00	635	32.87	835
	D	6.69	170	6.69	170	9.06	230	9.06	230	10.63	270	11.81	300	11.81	300
Inside Dimension	h	10.82	275	14.76	375	18.70	475	22.64	575	26.57	675	30.51	775	38.39	975
	w	6.69	170	10.63	270	14.57	370	14.57	370	18.50	470	22.44	570	30.31	770
	d	5.83	148	5.83	148	8.11	206	8.11	206	9.68	246	10.86	276	10.86	276
Weight	(lbs)	5.25		8.12	206	14.13	359	16.11	409	26.23	666	35.76	908	51	1295
User Space	S1	7.75	197	10.00	254	14.00	356	18.00	457	22.00	559	26.00	660	33.75	857
(door)	S2	5.25	133	9.25	235	13.00	330	13.00	330	16.75	425	21.00	533	27.25	692
	S3	7.75	197	11.75	298	15.25	387	19.00	483	23.00	584	27.00	689	34.00	864
	S4	2.75	70	5.25	133	9.25	235	9.25	235	13.00	330	17.25	438	25.00	635
	d1	0.50	13	0.35	8	0.35	9	0.35	9	0.50	13	0.35	9	0.55	14
User Depth	d2	1.35	34	1.20	30	1.17	30	1.17	30	1.65	42	1.50	38	1.65	42
Spaces	E	4.60	117	4.55	116	6.87	174	6.87	174	8.10	206	9.25	235	9.30	236
	F	5.40	137	5.40	137	7.70	196	7.70	196	9.25	235	10.45	265	10.45	265
	G	6.38	162	6.38	161	8.72	221	8.72	221	10.30	262	11.48	292	11.48	292
Mounting Hole Centers	C1	11.61	295	15.55	395	19.49	495	23.43	595	-	-	-	-	-	-
	C2	6.10	155	10.04	255	13.98	355	13.98	355	-	-	-	-	-	-
	C3	8.86	225	12.80	325	16.73	425	20.67	525	24.61	625	28.54	725	36.42	925
	C4	4.92	125	8.86	225	12.80	325	12.80	325	16.73	425	20.67	525	28.54	725
	C5	14.25	362	18.19	462	22.13	562	26.06	662	30.79	782	34.72	882	42.60	1082
	C6	6.38	162	10.31	262	14.25	362	14.25	362	18.97	482	22.91	582	30.78	782
	C7	10.31	262	14.25	362	18.19	462	22.13	562	26.85	682	30.78	782	38.66	982
	C8	10.31	262	14.25	362	18.19	462	18.9	462	22.91	582	26.85	682	34.72	882
Window Size	V1	n/a	-	12	305	16	406	20	508	24	610	28	711	36	914
	V2	n/a	-	6	152	10	254	10	254	14	356	18	457	24	610

NOTE: - Millimeters

FRP NEMA rating 3, 3R, 12 & 13 ARIA Series Gasketed Windows with 2 Padlockable Latches



FEATURES

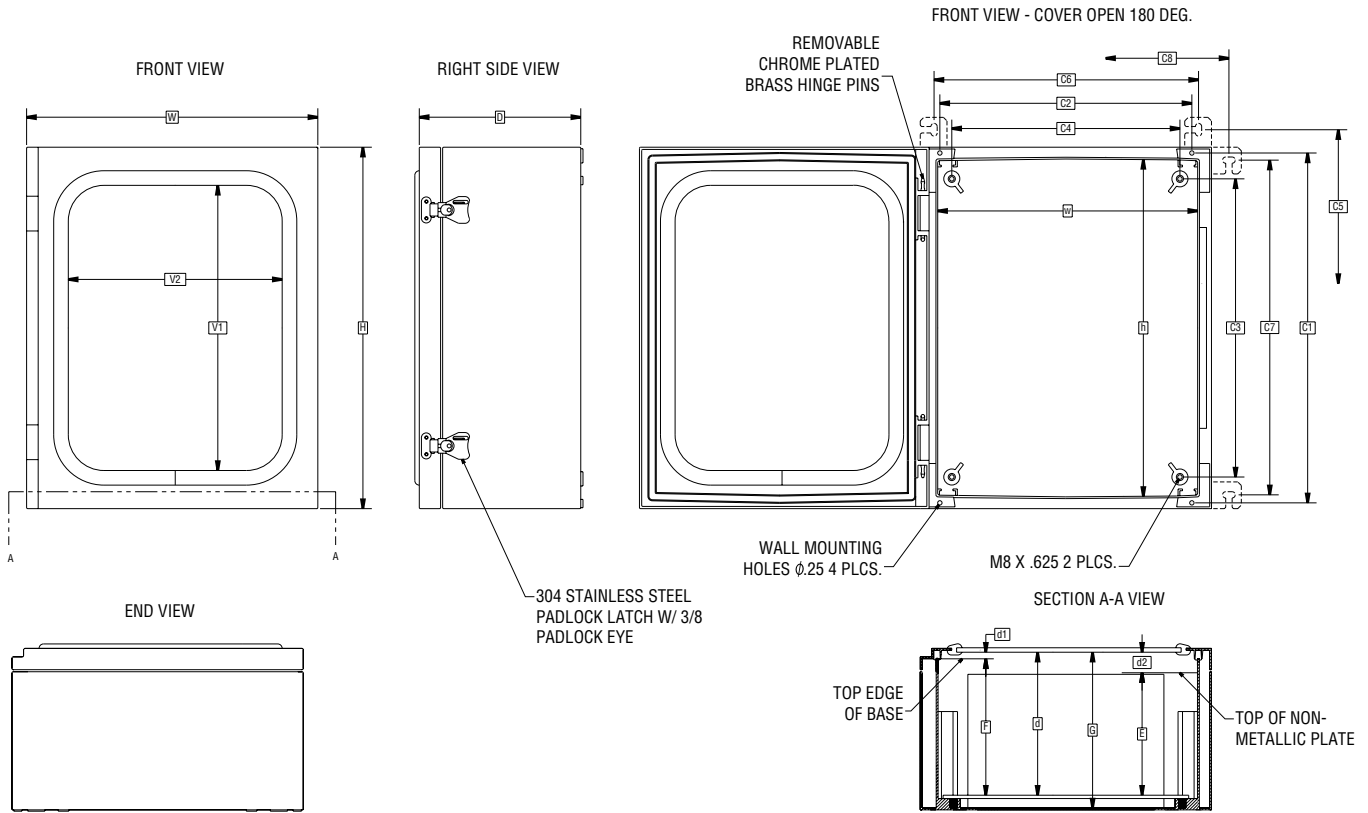
- Available in seven sizes
- Internal three-point closing system with one-point entry
- Padlockable latches available
- Integrated rain shield
- Temperature resistance -58°F to +302°F (-50°C to +150°C)
Momentary to +392°F (200°C)
- Seamless, polyurethane gasket in molded door edge channel
- Window area made of Lexan sealed with neoprene gasket

ACCESSORIES

- Din rails
- Handles
- Key-lock cylinders
- Air vents

Part Number	Outside Dimensions			Inside Dimensions			Weight	Part Numbers Back Plates*				Front Plates*	
	H	W	D	h	w	d		Aluminum	Steel	Non-Metallic	Dimensions	Non-Metallic	Aluminum
ANG1208PL (mm)	12.40 (315)	8.46 (215)	6.69 (170)	10.83 (275)	6.69 (170)	5.83 (148)	5.25 lb 2.4 kg	ABP1208A	ABP1208S	ABP1208N	9.84 x 5.91 (250 x 150)	AFP1208N	AFP1208A
ANG1612PL (mm)	16.34 (415)	12.40 (315)	6.69 (170)	14.76 (375)	10.63 (270)	5.83 (148)	8.12 lb 3.7 kg	ABP1612A	ABP1612S	ABP1612N	13.78 x 9.84 (350 x 250)	AFP1612N	AFP1612A
ANG2016PL (mm)	20.28 (515)	16.34 (415)	9.06 (230)	18.70 (475)	14.57 (370)	8.11 (206)	14.13 lb 6.4 kg	ABP2016A	ABP2016S	ABP2016N	17.72 x 13.78 (450 x 350)	AFP2016N	AFP2016A
ANG2416PL (mm)	24.21 (615)	16.34 (415)	9.06 (230)	22.64 (575)	14.57 (370)	8.11 (206)	16.11 lb 7.3 kg	ABP2416A	ABP2416S	ABP2416N	21.65 x 13.78 (550 x 350)	AFP2416N	AFP2416A
ANG2820PL (mm)	28.94 (735)	21.06 (535)	10.63 (270)	26.57 (675)	18.50 (470)	9.68 (246)	26.23 lb 11.9 kg	ABP2820A	ABP2820S	ABP2820N	25.98 x 17.72 (660 x 450)	AFP2820N	AFP2820A
ANG3325PL (mm)	32.87 (835)	25.00 (635)	11.81 (300)	30.51 (775)	22.44 (570)	10.86 (276)	35.76 lb 16.2 kg	ABP3325A	ABP3325S	ABP3325N	29.53 x 21.65 (750 x 550)	AFP3325N	AFP3325A
ANG4032PL (mm)	40.75 (1035)	32.87 (835)	11.81 (300)	38.39 (975)	30.31 (770)	10.86 (276)	51.00 lb 23.1 kg	ABP4032A	ABP4032S	ABP4032N	37.40 x 29.53 (950 x 750)	AFP4032N	AFP4032A

* A aluminum back panel (.080" material thickness)
S painted steel back panel (.060" material thickness)
N non-metallic back panel (.187" material thickness)



ARIA	AN1208		AN1612		AN2016		AN2416		AN2820		AN3325		AN4032		
		(in.)	(mm)	(in.)	(mm)	(in.)	(mm)	(in.)	(mm)	(in.)	(mm)	(in.)	(mm)	(in.)	(mm)
Outside Dimension	H	12.40	315	16.34	415	20.28	515	24.21	615	28.94	735	32.87	835	40.75	1035
	W	8.46	215	12.40	315	16.34	415	16.34	415	21.06	535	25.00	635	32.87	835
	D	6.69	170	6.69	170	9.06	230	9.06	230	10.63	270	11.81	300	11.81	300
Inside Dimension	h	10.82	275	14.76	375	18.70	475	22.64	575	26.57	675	30.51	775	38.39	975
	w	6.69	170	10.63	270	14.57	370	14.57	370	18.50	470	22.44	570	30.31	770
	d	5.83	148	5.83	148	8.11	206	8.11	206	9.68	246	10.86	276	10.86	276
Weight	(lbs)	5.25		8.12	206	14.13	359	16.11	409	26.23	666	35.76	908	51	1295
User Space	S1	7.75	197	10.00	254	14.00	356	18.00	457	22.00	559	26.00	660	33.75	857
	S2	5.25	133	9.25	235	13.00	330	13.00	330	16.75	425	21.00	533	27.25	692
	S3	7.75	197	11.75	298	15.25	387	19.00	483	23.00	584	27.00	689	34.00	864
	S4	2.75	70	5.25	133	9.25	235	9.25	235	13.00	330	17.25	438	25.00	635
User Depth Spaces	d1	0.50	13	0.35	8	0.35	9	0.35	9	0.50	13	0.35	9	0.55	14
	d2	1.35	34	1.20	30	1.17	30	1.17	30	1.65	42	1.50	38	1.65	42
	E	4.60	117	4.55	116	6.87	174	6.87	174	8.10	206	9.25	235	9.30	236
	F	5.40	137	5.40	137	7.70	196	7.70	196	9.25	235	10.45	265	10.45	265
	G	6.38	162	6.38	161	8.72	221	8.72	221	10.30	262	11.48	292	11.48	292
Mounting Hole Centers	C1	11.61	295	15.55	395	19.49	495	23.43	595	-	-	-	-	-	-
	C2	6.10	155	10.04	255	13.98	355	13.98	355	-	-	-	-	-	-
	C3	8.86	225	12.80	325	16.73	425	20.67	525	24.61	625	28.54	725	36.42	925
	C4	4.92	125	8.86	225	12.80	325	12.80	325	16.73	425	20.67	525	28.54	725
	C5	14.25	362	18.19	462	22.13	562	26.06	662	30.79	782	34.72	882	42.60	1082
	C6	6.38	162	10.31	262	14.25	362	14.25	362	18.97	482	22.91	582	30.78	782
	C7	10.31	262	14.25	362	18.19	462	22.13	562	26.85	682	30.78	782	38.66	982
	C8	10.31	262	14.25	362	18.19	462	18.19	462	22.91	582	26.85	682	34.72	882
Window Size	V1	8	203	12	305	16	406	20	508	24	610	28	711	36	914
	V2	4	102	8	203	12	305	12	305	16	406	21	533	27	686

NOTE: - Millimeters

ARIA ACCESSORIES

Mounting Hardware

AN-MFSS set of 4 mtg feet
304 stainless steel



AN-NMF set of 4 mtg feet
in polyamide (non-metallic)



Locks interchangeable
(supplied with 1 key)



KLC-SP .12 (3mm)

KLC-SQ8 .31 (8 mm)

KLC-T8 .31 (8mm)

KLC-T11 .43 (11mm)

KLC-DB3 .12 (3 mm)

Other locks on request

Handles

A-HN
neutral handle



A-HKL
Small keylock handle
2 keys 2432E



A-HNM
Semi-flush neutral handle



A-HNMKL
Semi-flush keylock handle
Key cylinder lock included



A-HNMPL
Semi-flush padlockable handle



Ventilators

RDV
Set of two ventilation grids
Mtg. Hole Ø 1.40"
Color: White

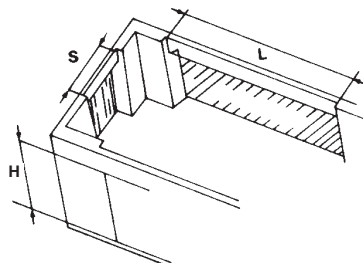


Hinge supports

AFPH
set of 2 hinge supports for cover plate



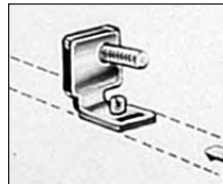
Usable Space



Large	Enclosure	Height	Small
	(H)	Side (S)	Side (L)
AN1208	5	4.25	7.25
AN1612	5.5	7	11
AN2016	7.5	11	15
AN2416	7.5	11	19
AN2820	8.5	15	20.25
AN3325	9.75	19	24

ABP-DA

Set of 4 back plate
depth adjusters



Pressure Compensation Plug

PCP
Polycarbonate/ABS plug
Mtg. Hole Ø 1.50"
Color: Beige



Document pocket - DIN A4

Self-adhesive

1021.020 (PPS) 8.27 x 5.12 x .50
1031.010 (PPD) 9.00 x 8.50 x 1.00
Color: Beige



Carrying Handle

41270.070 (CH) Height 1.97
Width reinforcement
rib + screws
Made of Vyncolite
Color: Black



Air vents

Two air vents must be mounted per enclosure to ensure sufficient air circulation and prevent condensation water. Complete with template and screws. Air vents are preferably mounted in the upper and lower part of the base.

10000.010 (MEDV) Set of 2 pieces in
polyamide
Color: Grey



SEDV

Small drain vent
set of 2 pieces
in polyamide
Color: Grey

